



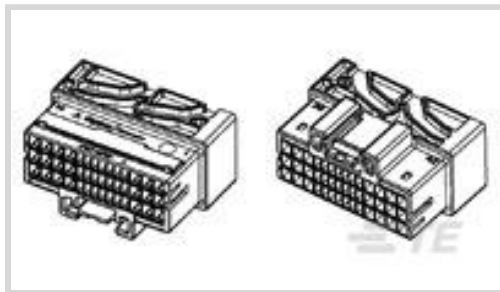
Multilock Connector System

TE Internal #: 1-1743095-8

Housing for Male Terminals, Wire-to-Wire, 42 Position, .157 in / .098 in [4 mm / 2.5 mm] Centerline, Blue, Signal, Multilock Connector System

[View on TE.com >](#)

Connectors > Automotive Connectors > Connector Housings > MULTILOCK, CONNECTOR HOUSING



Connector & Housing Type: **Housing for Male Terminals**

Mating Tab Width: **1 mm, 2.28 mm [.04 in, .09 in]**

Connector System: **Wire-to-Wire**

Number of Positions: **42**

Centerline (Pitch): **2.5 mm, 4 mm [.098 in, .157 in]**

[All MULTILOCK, CONNECTOR HOUSING \(576\)](#)

Features

Product Type Features

Connector & Housing Shape	Rectangular
Connector & Housing Type	Housing for Male Terminals
Connector System	Wire-to-Wire
Sealable	No
Hybrid Connector	Yes
Primary Locking Feature	Integrated in Housing

Configuration Features

Number of Positions	42
Number of Rows	3

Body Features

Cable Exit Angle	180°
Body Material	PBT GF
Primary Product Color	Blue

Contact Features

Contact Size	1mm, 2.3mm
Contact Type	Tab
Mating Tab Width	1 mm, 2.28 mm[.04 in][.09 in]



Mechanical Attachment

Mounting Feature	Without
Terminal Position Assurance	No
Strain Relief	Without
Mating Alignment Type	Polarization Slot
Mating Alignment	With
Connector Mounting Type	Cable Mount (Free-Hanging)

Housing Features

Centerline (Pitch)	2.5 mm, 4 mm [.098 in] [.157 in]
--------------------	----------------------------------

Dimensions

Product Width	35.4 mm [1.39 in]
Product Length	52.1 mm [2.05 in]
Product Height	27.8 mm [1.09 in]

Operation/Application

Circuit Application	Signal
---------------------	--------

Packaging Features

Packaging Quantity	42
Packaging Method	Tray

Other

Serviceable	No
Connector Position Assurance Capable	No

Product Compliance

[For compliance documentation, visit the product page on TE.com>](#)

EU RoHS Directive 2011/65/EU	Compliant
EU ELV Directive 2000/53/EC	Compliant
China RoHS 2 Directive MIIT Order No 32, 2016	No Restricted Materials Above Threshold
EU REACH Regulation (EC) No. 1907/2006	Current ECHA Candidate List: JAN 2022 (223) Candidate List Declared Against: JAN 2022 (223) Does not contain REACH SVHC
Halogen Content	Low Halogen - Br, Cl, F, I < 900 ppm per

homogenous material. Also BFR/CFR/PVC Free

Solder Process Capability

Not applicable for solder process capability

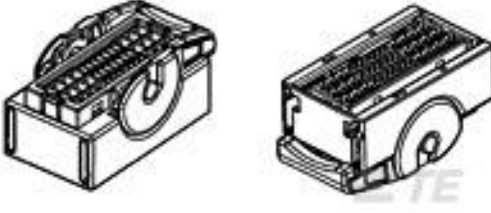
Product Compliance Disclaimer

This information is provided based on reasonable inquiry of our suppliers and represents our current actual knowledge based on the information they provided. This information is subject to change. The part numbers that TE has identified as EU RoHS compliant have a maximum concentration of 0.1% by weight in homogenous materials for lead, hexavalent chromium, mercury, PBB, PBDE, DBP, BBP, DEHP, DIBP, and 0.01% for cadmium, or qualify for an exemption to these limits as defined in the Annexes of Directive 2011/65/EU (RoHS2). Finished electrical and electronic equipment products will be CE marked as required by Directive 2011/65/EU. Components may not be CE marked. Additionally, the part numbers that TE has identified as EU ELV compliant have a maximum concentration of 0.1% by weight in homogenous materials for lead, hexavalent chromium, and mercury, and 0.01% for cadmium, or qualify for an exemption to these limits as defined in the Annexes of Directive 2000/53/EC (ELV). Regarding the REACH Regulation, the information TE provides on SVHC in articles for this part number is based on the latest European Chemicals Agency (ECHA) 'Guidance on requirements for substances in articles' posted at this URL: <https://echa.europa.eu/guidance-documents/guidance-on-reach>

Compatible Parts



TE Part # 353537-1
040-3 UNSEALED CONT.TAB(S)




TE Part # 1-1743098-8
LIF HYB 42P PLUG ASSY BLU

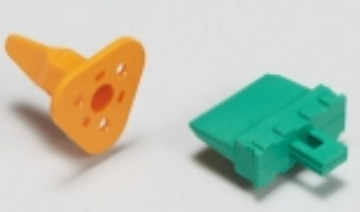
Also in the Series | Multilock Connector System




Automotive Connector Caps & Covers (16)



Automotive Connector EMC Shielding (1)




Automotive Connector Locks & Position Assurance(2)




Automotive Housings(575)




Automotive Seals & Cavity Plugs(2)



Automotive Terminals(141)



Insertion & Extraction Tools(6)

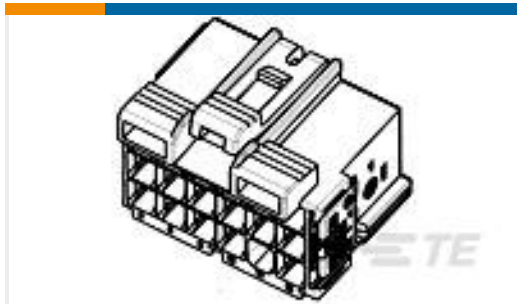
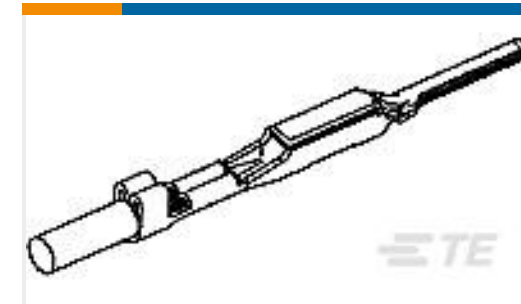
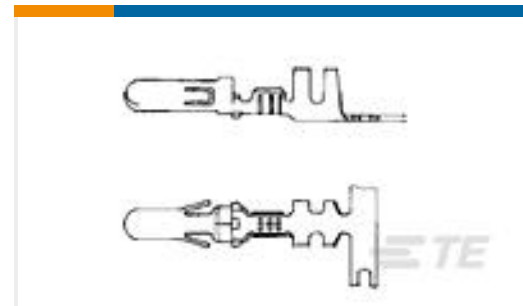
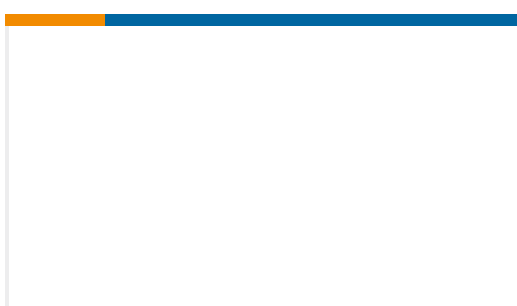


Other Automotive Connector Accessories(9)



PCB Headers & Receptacles(129)

Customers Also Bought

TE Part #1241581-1
JUN-POW-TIM HOUSING 17POSTE Part #1670865-1
COVER,90TE Part #1534334-1
AMP MCP 1.5K, CONTACTTE Part #353537-1
040-3 UNSEALED CONT.TAB(S)TE Part #284223-3
24 POS.KIT ASSY FOR AIR BAG (G)TE Part #927858-2
KONTAKTSTIFT 3,5 MMTE Part #1-2112891-6
36POS,TAB 1.5X0.6,TAB HSG,ASSYTE Part #2372864-1
FUSE+REL BOX ASSY H97 HARD
WIRED ASSYTE Part #2819433-1
VOLVO 3P LVDS CABLE ASSYTE Part #9-1707070-5
WIRE CRIMPER

Documents

Product Drawings

[LIF HYB 42P CAP ASSY BLU](#)

English

CAD Files

[Customer View Model](#)

[ENG_CVM_CVM_1-1743095-8_O.2d_dxf.zip](#)

English

[3D PDF](#)



3D

Customer View Model

[ENG_CVM_CVM_1-1743095-8_O.3d_igs.zip](#)

English

Customer View Model

[ENG_CVM_CVM_1-1743095-8_O.3d_stp.zip](#)

English

By downloading the CAD file I accept and agree to the [Terms and Conditions](#) of use.

Datasheets & Catalog Pages

[MULTILOCK Connector System](#)

English