

1-206322-0 ✓ ACTIVE

AMP | AMP CPC

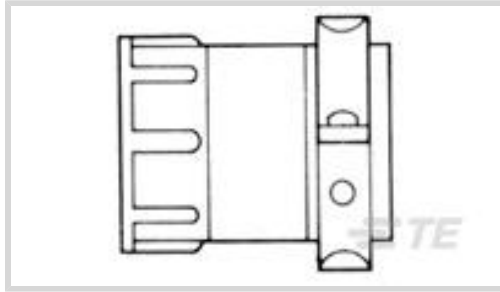
TE Internal #: 1-206322-0

Unscreened Circular Connector Backshells & Clamps, Cable Clamp,  
Size 17, Straight, Bulk, 15/16-20 UNEF-2B, AMP CPC

[View on TE.com >](#)



Connectors > Circular Connectors > Circular Connector Accessories > Unscreened Circular Connector Backshells & Clamps > CPC CABLE CLAMPS



Backshell & Clamp Accessory Type: **Cable Clamp**

Compatible With Circular Connector Shell Size: **17**

Body Orientation: **Straight**

Accepts Cable Diameter (Max): **17.86 mm [ .703 in ]**

Protective Cover: **Without**

[All CPC CABLE CLAMPS \(25\)](#)

## Features

### Product Type Features

Product Type	Accessory
Backshell & Clamp Accessory Type	Cable Clamp
Protective Cover	Without

### Body Features

Cable Clamp Material	Thermoplastic
Cable Clamp Flammability Rating	UL 94V-0
Cable Clamp Color	Black

### Mechanical Attachment

Screw & Hole Thread Size	15/16-20 UNEF-2B
--------------------------	------------------

### Housing Features

Body Orientation	Straight
------------------	----------

### Dimensions

Accepts Cable Diameter (Max)	17.86 mm[.703 in]
------------------------------	-------------------

### Operation/Application

Compatible With Circular Connector Shell Size	17
---	----

### Packaging Features

Packaging Quantity	100
--------------------	-----

Packaging Method

Bulk

### Other

Comment

Cable clamps can be threaded directly onto plugs or receptacles, or onto backshell extenders., Replacement screws are available in the following sizes: 9.52mm [3/8 in.] -P/N 19024-1, 12.7mm [1/2 in.] -P/N 19024-2, 15.88]mm [5/8 in.] -P/N 19024-3, 25.4mm [1 in.] -P/N 19024-4, 19.05mm [3/4 in.] -P/N 19024-5.

## Product Compliance

[For compliance documentation, visit the product page on TE.com>](#)

EU RoHS Directive 2011/65/EU

Compliant

EU ELV Directive 2000/53/EC

Compliant

China RoHS 2 Directive MIIT Order No 32, 2016

No Restricted Materials Above Threshold

EU REACH Regulation (EC) No. 1907/2006

Current ECHA Candidate List: JAN 2022 (223)  
Candidate List Declared Against: JAN 2022 (223)  
Does not contain REACH SVHC

Halogen Content

BFR/CFR/PVC Free, but Br/Cl >900 ppm in other sources.

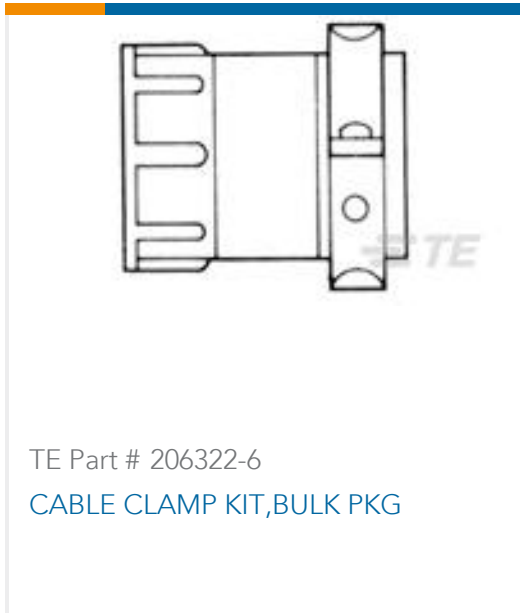
Solder Process Capability

Not applicable for solder process capability

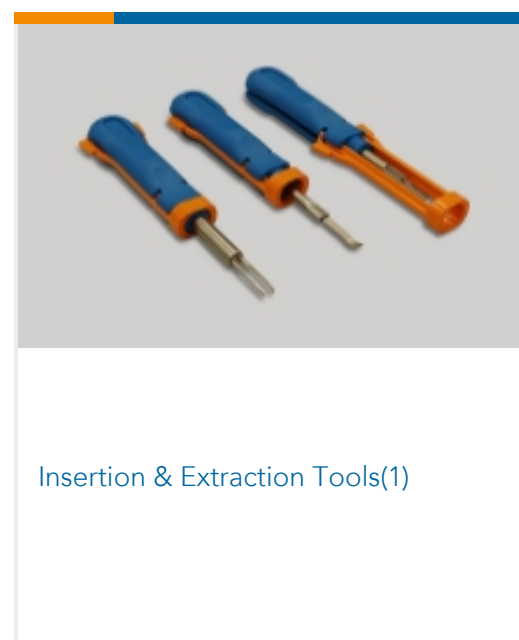
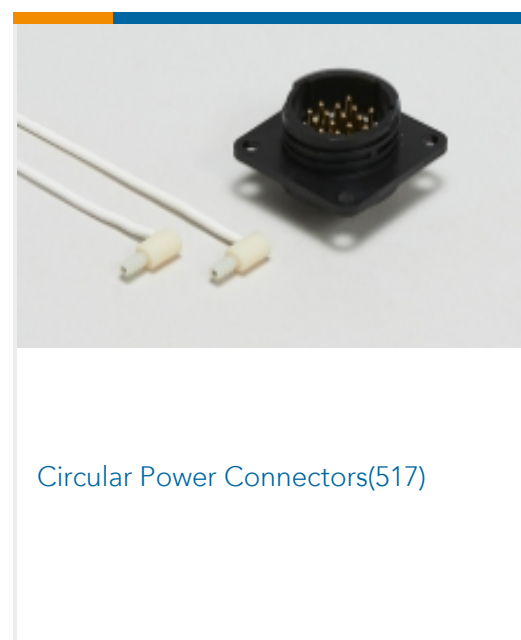
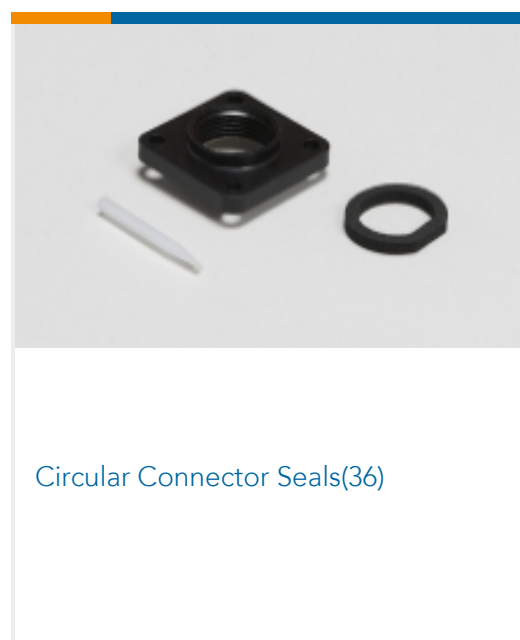
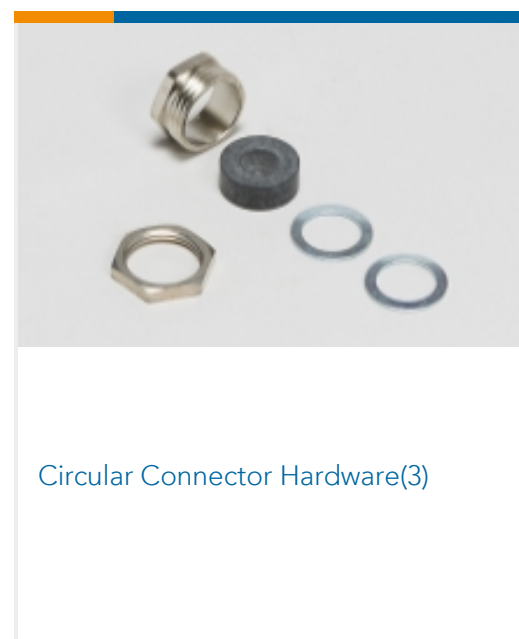
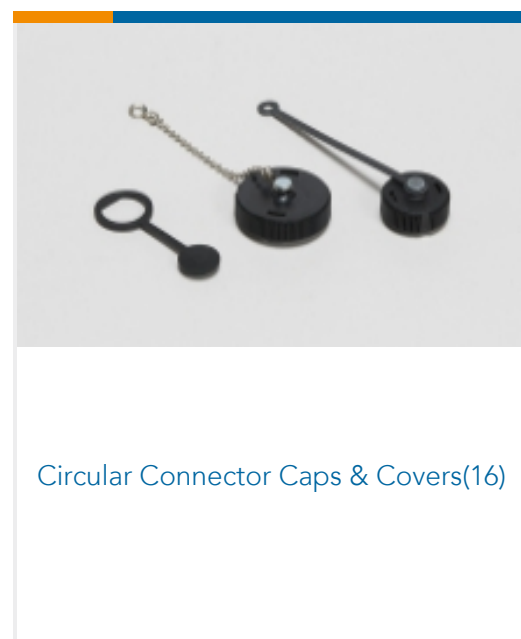
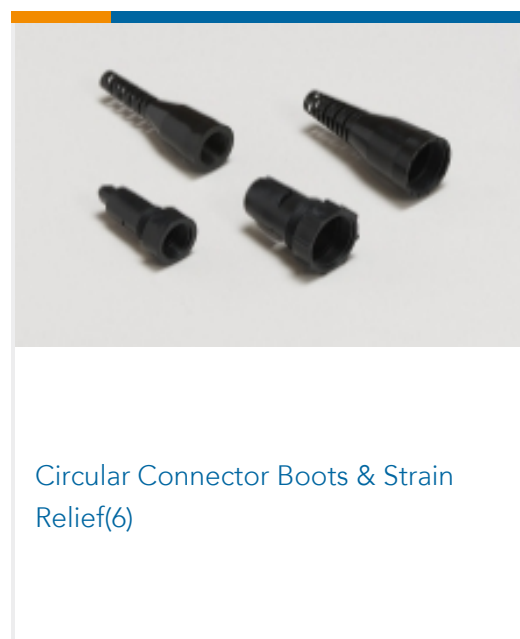
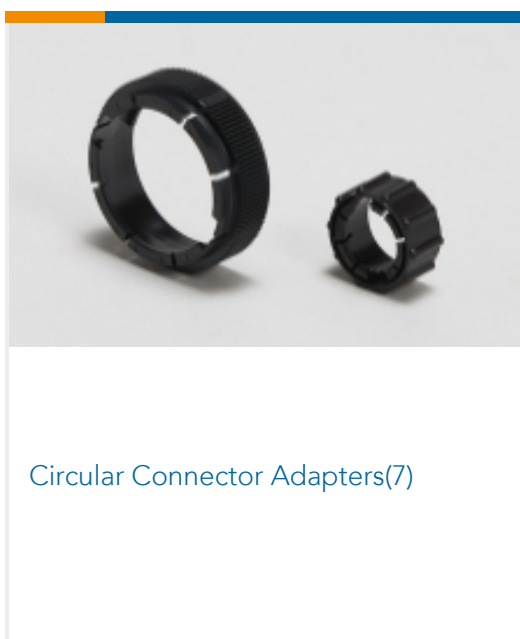
#### Product Compliance Disclaimer

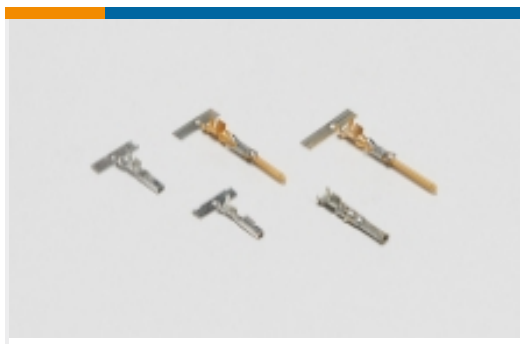
This information is provided based on reasonable inquiry of our suppliers and represents our current actual knowledge based on the information they provided. This information is subject to change. The part numbers that TE has identified as EU RoHS compliant have a maximum concentration of 0.1% by weight in homogenous materials for lead, hexavalent chromium, mercury, PBB, PBDE, DBP, BBP, DEHP, DIBP, and 0.01% for cadmium, or qualify for an exemption to these limits as defined in the Annexes of Directive 2011/65/EU (RoHS2). Finished electrical and electronic equipment products will be CE marked as required by Directive 2011/65/EU. Components may not be CE marked. Additionally, the part numbers that TE has identified as EU ELV compliant have a maximum concentration of 0.1% by weight in homogenous materials for lead, hexavalent chromium, and mercury, and 0.01% for cadmium, or qualify for an exemption to these limits as defined in the Annexes of Directive 2000/53/EC (ELV). Regarding the REACH Regulation, the information TE provides on SVHC in articles for this part number is based on the latest European Chemicals Agency (ECHA) 'Guidance on requirements for substances in articles' posted at this URL: <https://echa.europa.eu/guidance-documents/guidance-on-reach>

## Compatible Parts

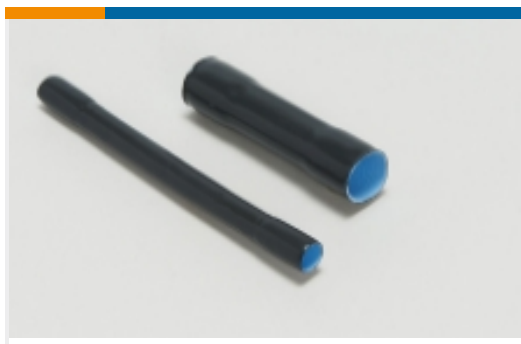


Also in the Series | AMP CPC





Power Contacts(6)



Sealing Sleeves(2)



Unscreened Circular Connector Backshells & Clamps(5)

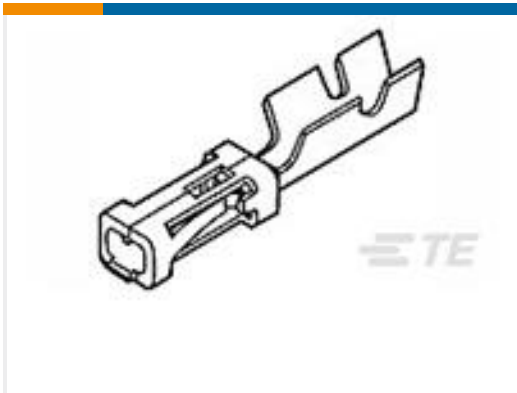
## Customers Also Bought



TE Part #1-66358-0  
TYPE III CONTACTS STRIP



TE Part #104503-4  
05 MTE PIN HSG SR RIB .100CL



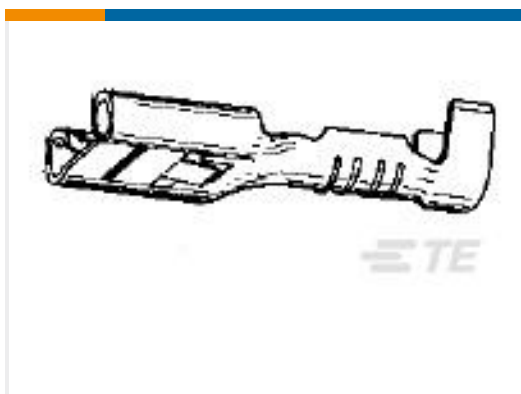
TE Part #87046-2  
MOD IV RECP LP



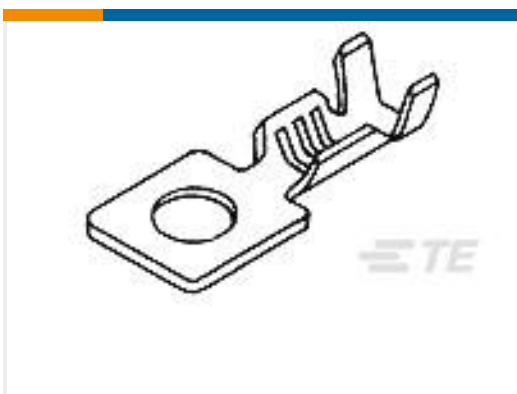
TE Part #3-747579-6  
SHLDNG FERRULE, PLTD, BULK PKG



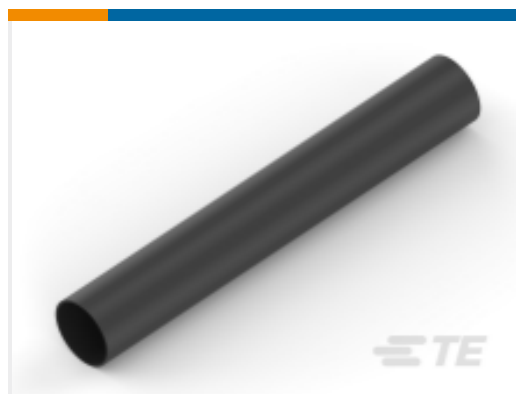
TE Part #HD34-24-91PN  
REC, 9P, AL, N, 8/12/16, P



TE Part #626328-2  
FF 250 RECEPTACLE 4.0-6.0 MM2  
TPBR



TE Part #61653-1  
RING CRIMP 26-24 AWG BR



TE Part #NB17012001  
DWP-125-1-1/2-0-STK



TE Part #5745173-4  
CABLE CLAMP KIT, SZ 3

## Documents

### Product Drawings

[CABLE CLAMP KIT, BULK PKG](#)

English

### CAD Files

Customer View Model

[ENG\\_CVM\\_CVM\\_1-206322-0\\_S.2d\\_dxf.zip](#)

English

[3D PDF](#)



3D

Customer View Model

[ENG\\_CVM\\_CVM\\_1-206322-0\\_S.3d\\_igs.zip](#)

English

Customer View Model

[ENG\\_CVM\\_CVM\\_1-206322-0\\_S.3d\\_stp.zip](#)

English

By downloading the CAD file I accept and agree to the [Terms and Conditions](#) of use.

---

### Datasheets & Catalog Pages

[AMP Circular Connectors for Commercial Signal & Power Applications](#)

English

---

### Product Environmental Compliance

[Product Compliance](#)

English

[Product Compliance](#)

English