



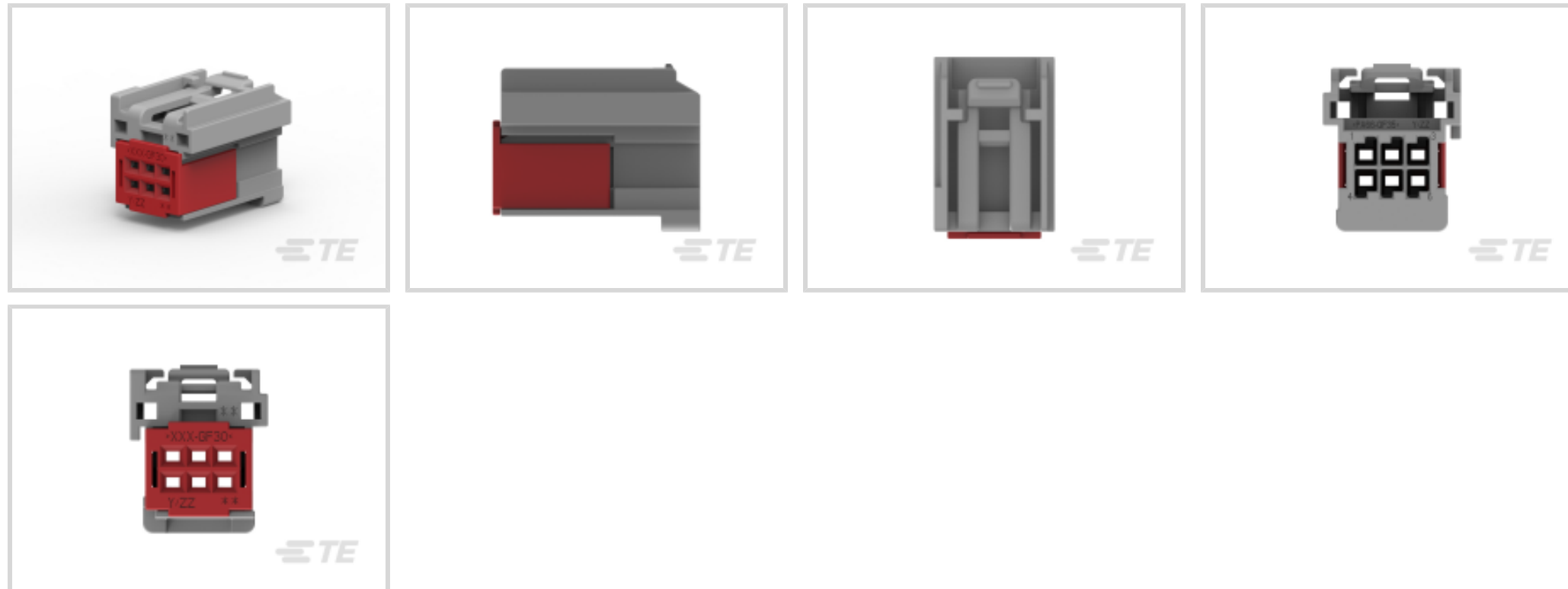
[Get .64 Connector System](#)

TE Internal #: 1-1411325-2

Housing for Female Terminals, Wire-to-Wire, 6 Position, .1 in [2.54 mm] Centerline, Gray, Cable Mount (Free-Hanging), Key B, Get .64 Connector System

[View on TE.com >](#)

Connectors > Automotive Connectors > Connector Housings > GET .64 CONNECTOR SYSTEM, CONNECTOR HSG



Connector & Housing Type: **Housing for Female Terminals**

Connector System: **Wire-to-Wire**

Number of Positions: **6**

Centerline (Pitch): **2.54 mm [ .1 in ]**

Sealable: **No**

[All GET .64 CONNECTOR SYSTEM, CONNECTOR HSG \(106\)](#)

**Features**

**Product Type Features**

Connector & Housing Shape	Rectangular
Connector & Housing Type	Housing for Female Terminals
Connector System	Wire-to-Wire
Sealable	No
Hybrid Connector	No
Primary Locking Feature	Integrated in Housing

**Configuration Features**

Number of Positions	6
Number of Rows	2

**Body Features**

Cable Exit Angle	180°
Body Material	PA GF



Primary Product Color	Gray
-----------------------	------

Connector Code	B
----------------	---

### Contact Features

Contact Size	.64mm
--------------	-------

### Mechanical Attachment

Mounting Feature	Without
------------------	---------

Terminal Position Assurance	Yes
-----------------------------	-----

Strain Relief	Without
---------------	---------

Mating Alignment Type	Keyed
-----------------------	-------

Mating Alignment	With
------------------	------

Connector Mounting Type	Cable Mount (Free-Hanging)
-------------------------	----------------------------

### Housing Features

Centerline (Pitch)	2.54 mm[.1 in]
--------------------	----------------

### Dimensions

Product Width	17.75 mm[.698 in]
---------------	-------------------

Product Length	13.47 mm[.53 in]
----------------	------------------

Product Height	22.6 mm[.889 in]
----------------	------------------

Row-to-Row Spacing	2.54 mm[.1 in]
--------------------	----------------

### Packaging Features

Packaging Quantity	160
--------------------	-----

Packaging Method	Package
------------------	---------

### Other

Connector Position Assurance Capable	No
--------------------------------------	----

### Product Compliance

[For compliance documentation, visit the product page on TE.com>](#)

EU RoHS Directive 2011/65/EU	Compliant
------------------------------	-----------

EU ELV Directive 2000/53/EC	Compliant
-----------------------------	-----------

China RoHS 2 Directive MIIT Order No 32, 2016	No Restricted Materials Above Threshold
---	---

EU REACH Regulation (EC) No. 1907/2006	Current ECHA Candidate List: JAN 2022 (223) Candidate List Declared Against: JAN 2022 (223)
--	--



Does not contain REACH SVHC

Halogen Content

Low Halogen - Br, Cl, F, I < 900 ppm per homogenous material. Also BFR/CFR/PVC Free

Solder Process Capability

Not applicable for solder process capability

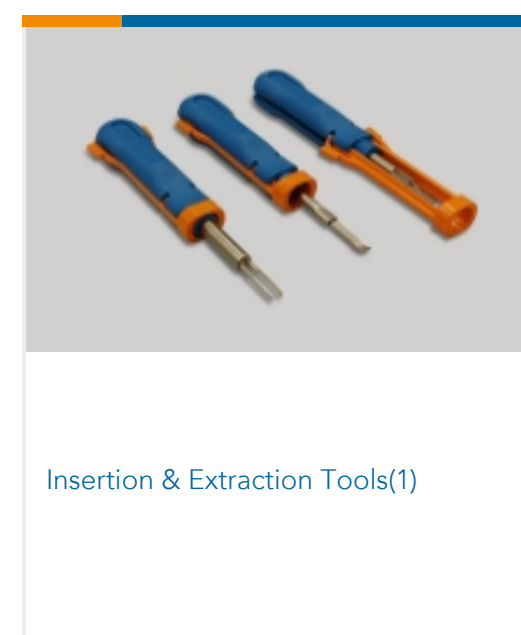
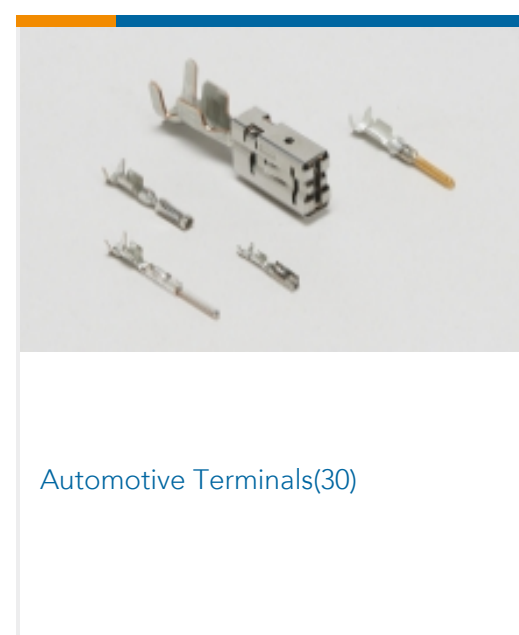
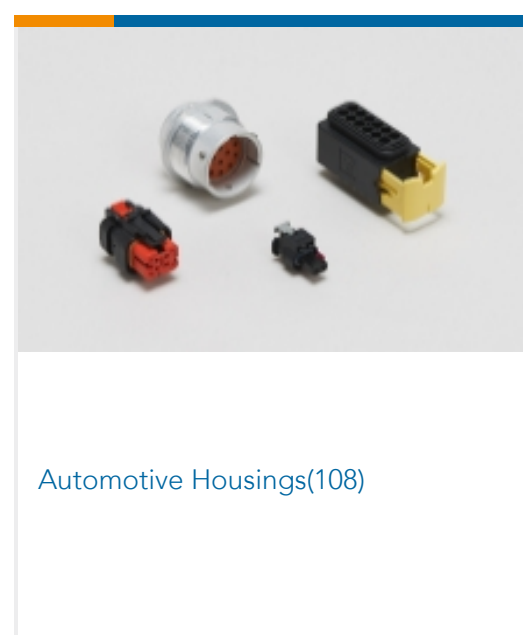
Product Compliance Disclaimer

This information is provided based on reasonable inquiry of our suppliers and represents our current actual knowledge based on the information they provided. This information is subject to change. The part numbers that TE has identified as EU RoHS compliant have a maximum concentration of 0.1% by weight in homogenous materials for lead, hexavalent chromium, mercury, PBB, PBDE, DBP, BBP, DEHP, DIBP, and 0.01% for cadmium, or qualify for an exemption to these limits as defined in the Annexes of Directive 2011/65/EU (RoHS2). Finished electrical and electronic equipment products will be CE marked as required by Directive 2011/65/EU. Components may not be CE marked. Additionally, the part numbers that TE has identified as EU ELV compliant have a maximum concentration of 0.1% by weight in homogenous materials for lead, hexavalent chromium, and mercury, and 0.01% for cadmium, or qualify for an exemption to these limits as defined in the Annexes of Directive 2000/53/EC (ELV). Regarding the REACH Regulation, the information TE provides on SVHC in articles for this part number is based on the latest European Chemicals Agency (ECHA) 'Guidance on requirements for substances in articles' posted at this URL: <https://echa.europa.eu/guidance-documents/guidance-on-reach>

## Compatible Parts



## Also in the Series | Get .64 Connector System





PCB Headers & Receptacles(1)

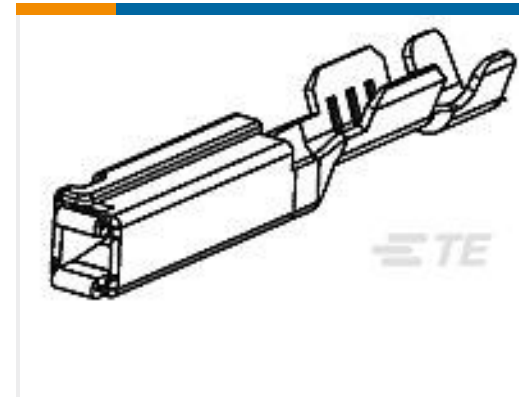
## Customers Also Bought



TE Part #2209477-1  
MQS, CONNECTOR HOUSING



TE Part #1326032-9  
2.8MM RECP,SEAL,18AWG,REV REEL



TE Part #1393366-2  
GET-SOCKET TERMINAL, SILVER VE



TE Part #9-2209520-9  
46POS. REC HOUSING ASSY, CODA A



TE Part #1456968-3  
CONTACT,FEMALE, 0.64, 20 TO 22 AWG, AG



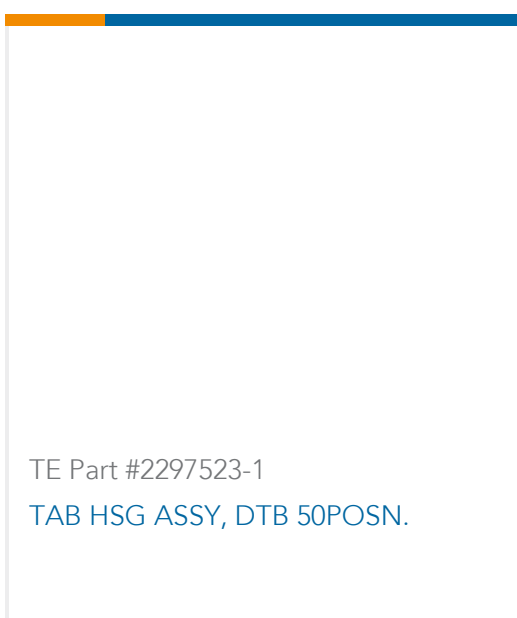
TE Part #7-1393448-7  
50P COVER CAP



TE Part #1813018-3  
MINI FUSE RECEPTACLE



TE Part #2297522-1  
PLUG HSG ASSY, DTB 50POSN.



TE Part #2297523-1  
TAB HSG ASSY, DTB 50POSN.

## Documents

### Product Drawings

[2X3POS. GET-ASSY SOCKET HOUSIN](#)

English

### CAD Files

[Customer View Model](#)

[ENG\\_CVM\\_CVM\\_1-1411325-2\\_D.2d\\_dxf.zip](#)

English

[3D PDF](#)



3D

Customer View Model

[ENG\\_CVM\\_CVM\\_1-1411325-2\\_D.3d\\_igs.zip](#)

English

Customer View Model

[ENG\\_CVM\\_CVM\\_1-1411325-2\\_D.3d\\_stp.zip](#)

English

By downloading the CAD file I accept and agree to the [Terms and Conditions](#) of use.

**Datasheets & Catalog Pages**

[GET 0.64 Interconnection System](#)

English