

1-480283-0 ✓ ACTIVE

MATE-N-LOK | Commercial MATE-N-LOK

TE Internal #: 1-480283-0

Rectangular Power Connectors, Housing, Plug, Wire-to-Wire, 8 Position, .195 in [4.95 mm] Centerline, Wire & Cable, UL 94V-2, Commercial MATE-N-LOK

[View on TE.com >](#)



Connectors > Power Connectors > Rectangular Power > Rectangular Power Connectors



Rectangular Power Connector Type: **Housing**

Connector & Housing Type: **Plug**

Connector System: **Wire-to-Wire**

Number of Positions: **8**

Centerline (Pitch): **4.95 mm [.195 in]**

Features

Product Type Features

Rectangular Power Connector Type	Housing
Connector & Housing Type	Plug
Connector System	Wire-to-Wire
Sealable	No
Connector & Contact Terminates To	Wire & Cable

Configuration Features

Number of Positions	8
Number of Rows	2

Electrical Characteristics

Operating Voltage	250 VAC
-------------------	---------

Contact Features

Contact Retention Within Housing	Without
Contact Type	Socket



Termination Features

Termination Method to Wire & Cable	Crimp
------------------------------------	-------

Mechanical Attachment

Panel Mount Feature	Without
Connector Mounting Type	Cable Mount (Free-Hanging)

Housing Features

Centerline (Pitch)	4.95 mm [.195 in]
Housing Color	Natural
Housing Material	Nylon

Dimensions

Row-to-Row Spacing	9.14 mm [.36 in]
--------------------	------------------

Usage Conditions

Operating Temperature Range	-55 – 105 °C [-67 – 221 °F]
-----------------------------	-----------------------------

Operation/Application

Circuit Application	Power & Signal
---------------------	----------------

Identification Marking

Circuit Identification Feature	With
--------------------------------	------

Industry Standards

UL Flammability Rating	UL 94V-2
Glow Wire Rating	Standard Part - Not Glow Wire
UL Rating	Certified, Recognized
Agency/Standard Number	E28476
CSA File Number	LR16455
VDE Tested	No
Agency/Standard	CSA, UL

Packaging Features

Packaging Method	Bag
Packaging Quantity	1

Other

For Use With	Pin (Cap) Housing
--------------	-------------------



Product Compliance

[For compliance documentation, visit the product page on TE.com>](#)

EU RoHS Directive 2011/65/EU	Compliant
EU ELV Directive 2000/53/EC	Compliant
China RoHS 2 Directive MIIT Order No 32, 2016	No Restricted Materials Above Threshold
EU REACH Regulation (EC) No. 1907/2006	Current ECHA Candidate List: JAN 2022 (223) Candidate List Declared Against: JAN 2022 (223) Does not contain REACH SVHC
Halogen Content	Low Halogen - Br, Cl, F, I < 900 ppm per homogenous material. Also BFR/CFR/PVC Free
Solder Process Capability	Not applicable for solder process capability

Product Compliance Disclaimer

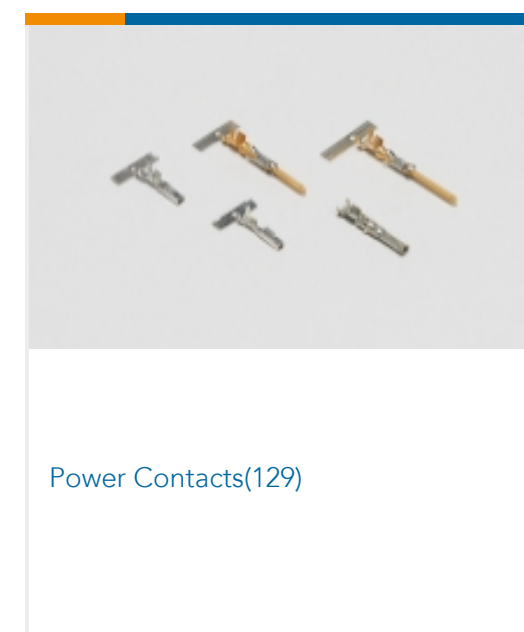
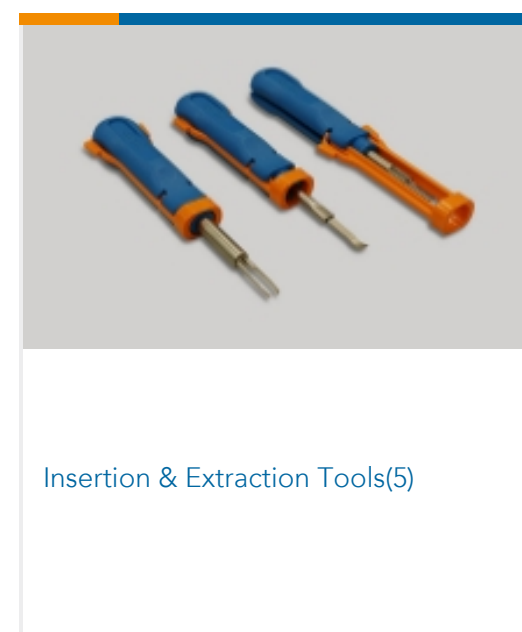
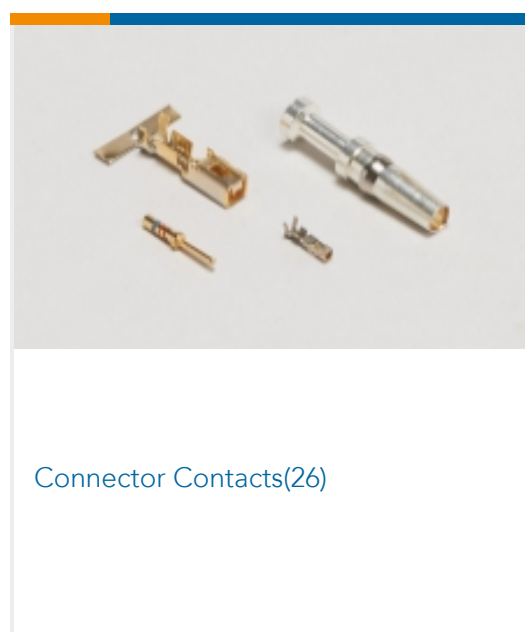
This information is provided based on reasonable inquiry of our suppliers and represents our current actual knowledge based on the information they provided. This information is subject to change. The part numbers that TE has identified as EU RoHS compliant have a maximum concentration of 0.1% by weight in homogenous materials for lead, hexavalent chromium, mercury, PBB, PBDE, DBP, BBP, DEHP, DIBP, and 0.01% for cadmium, or qualify for an exemption to these limits as defined in the Annexes of Directive 2011/65/EU (RoHS2). Finished electrical and electronic equipment products will be CE marked as required by Directive 2011/65/EU. Components may not be CE marked. Additionally, the part numbers that TE has identified as EU ELV compliant have a maximum concentration of 0.1% by weight in homogenous materials for lead, hexavalent chromium, and mercury, and 0.01% for cadmium, or qualify for an exemption to these limits as defined in the Annexes of Directive 2000/53/EC (ELV). Regarding the REACH Regulation, the information TE provides on SVHC in articles for this part number is based on the latest European Chemicals Agency (ECHA) 'Guidance on requirements for substances in articles' posted at this URL: <https://echa.europa.eu/guidance-documents/guidance-on-reach>

Compatible Parts





Also in the Series | Commercial MATE-N-LOK

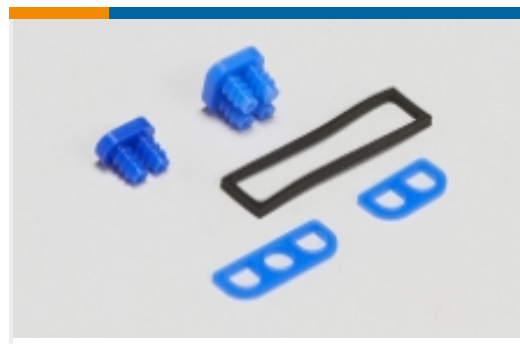




Rectangular Caps & Covers(2)



Rectangular Connector Housings(17)



Rectangular Connector Seals(1)



Rectangular Power Connectors(170)



Standard Circular Connectors(4)



Standard Rectangular Connectors(10)

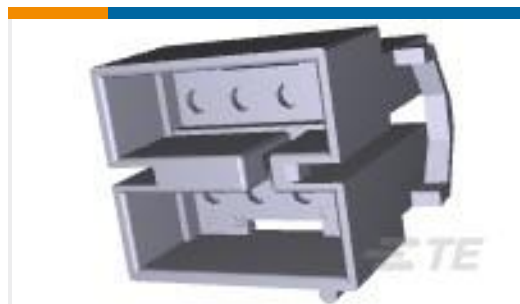


Wire-to-Board Connector Contacts(1)

Customers Also Bought



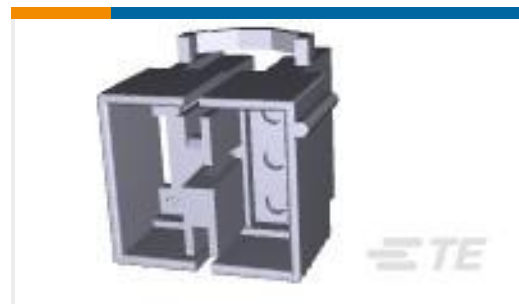
TE Part #1658539-5
PIN CONT DUPL PLT STRIP HD-20



TE Part #1-480284-0
08P CMNL CAP HSG M/M NATL



TE Part #1-480439-0
16P CMNL CAP HSG M/M NATL



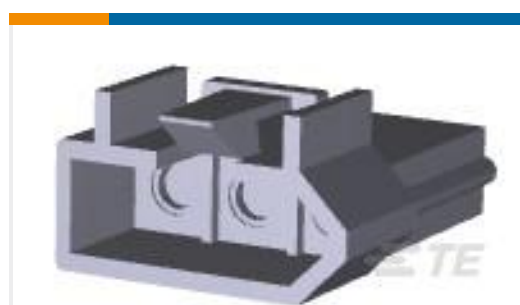
TE Part #1-480340-0
06P CMNL CAP HSG F/H NATL



TE Part #350212-1
08C CMNL HDR ASSY PC NATL



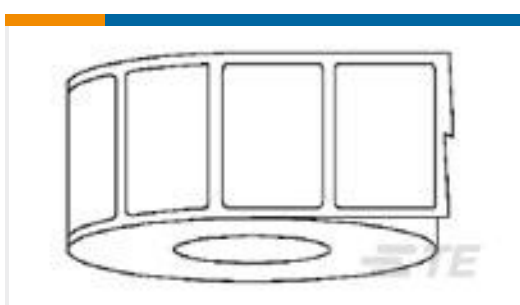
TE Part #1-480339-0
10P CMNL CAP HSG F/H NATL



TE Part #770783-1
03P .093 COMM P&S PLUG .248CL



TE Part #770785-1
03P .093 COMM P&S RECPT .248CL



TE Part #D69815-000
EP-101381-2.5-9



TE Part #D91406-000
EP-699254-5-9

Documents



Product Drawings

08P CMNL PLUG HSG M/M NATL

English

CAD Files

3D PDF

English

Customer View Model

[ENG_CVM_1-480283-0_R.2d_dxf.zip](#)

English

Customer View Model

[ENG_CVM_1-480283-0_R.3d_igs.zip](#)

English

Customer View Model

[ENG_CVM_1-480283-0_R.3d_stp.zip](#)

English

3D PDF

3D

Customer View Model

[ENG_CVM_CVM_1-480283-0_AT.2d_dxf.zip](#)

English

Customer View Model

[ENG_CVM_CVM_1-480283-0_AT.3d_igs.zip](#)

English

Customer View Model

[ENG_CVM_CVM_1-480283-0_AT.3d_stp.zip](#)

English

By downloading the CAD file I accept and agree to the [Terms and Conditions](#) of use.

Datasheets & Catalog Pages

SOFT_SHELL_PIN_SOCKET_CONNECTORS_STANDARD_DENSITY

English

Product Specifications

Application Specification

English

Product Environmental Compliance

MD_1-480283-0_04222016230_dmtec

English

MD_1-480283-0_04222016230_dmtec

English

Instruction Sheets

Instruction Sheet (U.S.)

English



[Instruction Sheet \(U.S.\)](#)

Japanese

[Instruction Sheet \(U.S.\)](#)

English

[Instruction Sheet \(U.S.\)](#)

English

[Agency Approvals](#)

[Agency Approval Document](#)

English