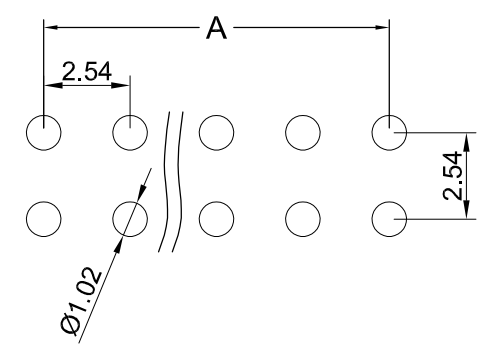


THIS DRAWING IS UNPUBLISHED. RELEASED FOR PUBLICATION 14JAN, 2004.
 © COPYRIGHT 2004 By - ALL RIGHTS RESERVED.

LOC	DIST	REVISIONS					
		P	LTR	DESCRIPTION	DATE	DWN	APVD
E	B		C	ECR-06-021030	22SEP06	AM	FWK
			C1	REVISED PER ECO-10-000444	18JAN10	KK	HMR
			C2	ECR-10-022205	01FEB11	KK	HMR

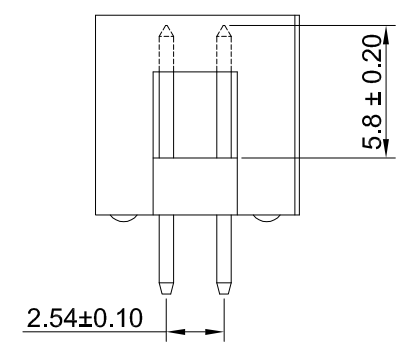
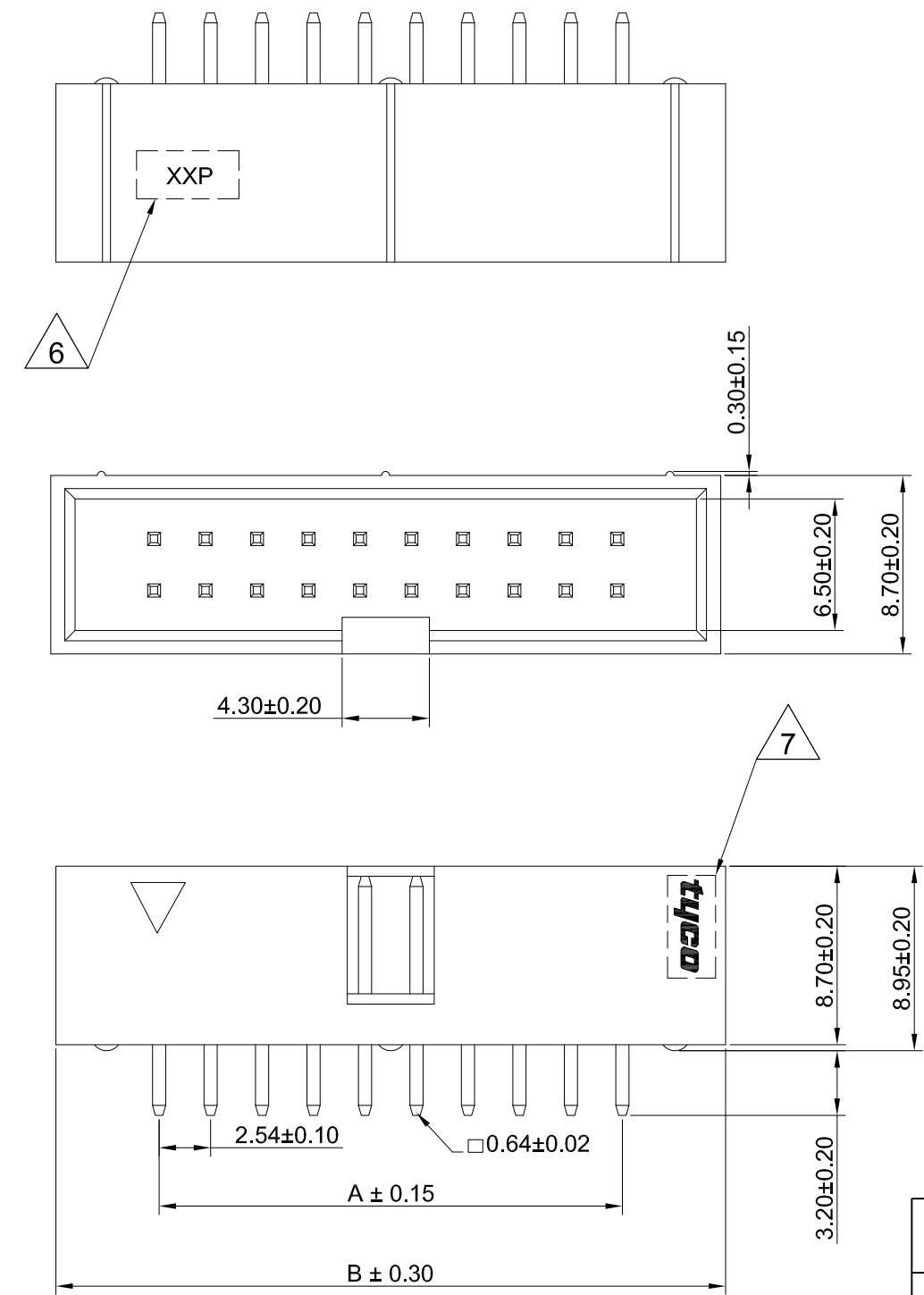
Recommended P.C.Board Hole Layout



NOTES

- FOR TECHNICAL DATA REFER TO YOUR LOCAL TYCO ELECTRONICS SALES OFFICE.
- ALL DIMENSIONS ARE NOMINAL FOR REFERENCE ONLY UNLESS OTHERWISE STATED.
- RATING
 - 3.1 RATING : 3 AMPS
 - 3.2 OPERATING TEMPERATURE : - 40°C TO +105°C
- ELECTRICAL SPECIFICATION
 - 4.1 INSULATION RESISTANCE 5000 MΩ MINIMUM
 - 4.2 WITHSTAND VOLTAGE 500V AC
- MATERIALS
 - 5.1 CONTACT - BRASS, POST PLATE
 - Au 0.25µm (10µinch) IN CONTACT AREA
 - Sn 2 TO 3µm (80 TO 120µinch) IN SOLDER AREA.
 - 5.2 HOUSING - BLACK NYLON 6T UL 94V-0

- △ 6 NUMBER OF CONTACT POSITIONS TO BE INDICATED IN AREA SHOWN. XX = NUMBER OF POSITONS.
- △ 7 TYCO LOGO TO BE PRESENT IN AREA INDICATED.
- △ 8 OBSOLETE PARTS: OBSOLETE CIS STREAMLINING PER D.RENAUD/D.SINISI



8	OBSOLETE	Dimensions		No Of Contacts	TE Part No
		A	B		
	OBSOLETE	78.74	88.93	64	6-1634688-4
	OBSOLETE	73.66	83.85	60	6-1634688-0
		60.96	71.15	50	5-1634688-0
		48.26	58.45	40	4-1634688-0
		40.64	50.83	34	3-1634688-4
		30.48	40.67	26	2-1634688-6
		22.86	33.05	20	2-1634688-0
		17.78	27.97	16	1-1634688-6
		15.24	25.43	14	1-1634688-4
		10.16	20.35	10	1-1634688-0

THIS DRAWING IS A CONTROLLED DOCUMENT.		DWN A.MOREY 14JAN04	TE Connectivity			
DIMENSIONS: mm		CHK J.SANDWELL 14JAN04				
TOLERANCES UNLESS OTHERWISE SPECIFIED:		APVD F.WHEELER-KING 14JAN04	NAME			
0 PLC ± - 1 PLC ± - 2 PLC ± 0.2 3 PLC ± - 4 PLC ± - ANGLES ± 3°		PRODUCT SPEC	BOX HEADER STRAIGHT			
MATERIAL		APPLICATION SPEC	SIZE	CAGE CODE	DRAWING NO	RESTRICTED TO
FINISH		WEIGHT	A3	00779	C-1634688	-
CUSTOMER DRAWING			SCALE	SHEET	REV	
			NTS	1 OF 1	C2	