



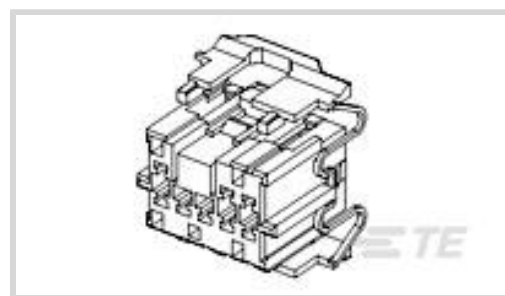
**Multilock Connector System**

TE Internal #: 1-368176-1

Housing for Female Terminals, Wire-to-Wire, 8 Position, .157 in [4 mm] Centerline, Natural, Signal, Multilock Connector System

[View on TE.com >](#)

Connectors > Automotive Connectors > Connector Housings > MULTILOCK, CONNECTOR HOUSING



Connector & Housing Type: **Housing for Female Terminals**

Mating Tab Width: **2.28 mm [ .09 in ]**

Connector System: **Wire-to-Wire**

Number of Positions: **8**

Centerline (Pitch): **4 mm [ .157 in ]**

[All MULTILOCK, CONNECTOR HOUSING \(576\)](#)

**Features**

**Product Type Features**

Connector & Housing Shape	Rectangular
Connector & Housing Type	Housing for Female Terminals
Connector System	Wire-to-Wire
Sealable	No
Hybrid Connector	No
Primary Locking Feature	Integrated in Housing

**Configuration Features**

Number of Positions	8
---------------------	---

**Body Features**

Cable Exit Angle	180°
Body Material	PBT
Primary Product Color	Natural

**Contact Features**

Contact Size	2.3mm
Contact Type	Receptacle
Mating Tab Width	2.28 mm[.09 in]

**Mechanical Attachment**



Mounting Feature	Without
Terminal Position Assurance	No
Strain Relief	Without
Mating Alignment Type	Polarized
Mating Alignment	With
Connector Mounting Type	Cable Mount (Free-Hanging)

### Housing Features

Centerline (Pitch)	4 mm [.157 in]
--------------------	----------------

### Dimensions

Product Width	20 mm [.787 in]
Product Length	25.3 mm [.996 in]
Product Height	18.2 mm [.719 in]

### Operation/Application

Circuit Application	Signal
---------------------	--------

### Packaging Features

Packaging Quantity	120
Packaging Method	Bag

### Other

Serviceable	No
Connector Position Assurance Capable	No

### Product Compliance

[For compliance documentation, visit the product page on TE.com>](#)

EU RoHS Directive 2011/65/EU	Compliant
EU ELV Directive 2000/53/EC	Compliant
China RoHS 2 Directive MIIT Order No 32, 2016	No Restricted Materials Above Threshold
EU REACH Regulation (EC) No. 1907/2006	Current ECHA Candidate List: JAN 2022 (223) Candidate List Declared Against: JAN 2022 (223) Does not contain REACH SVHC
Halogen Content	Low Halogen - Br, Cl, F, I < 900 ppm per homogenous material. Also BFR/CFR/PVC Free

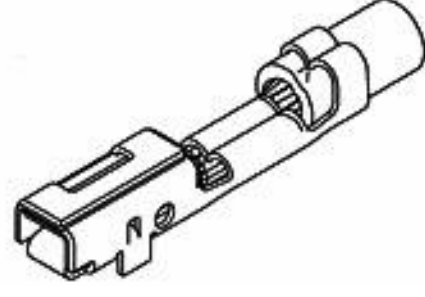
Solder Process Capability

Not applicable for solder process capability

Product Compliance Disclaimer

This information is provided based on reasonable inquiry of our suppliers and represents our current actual knowledge based on the information they provided. This information is subject to change. The part numbers that TE has identified as EU RoHS compliant have a maximum concentration of 0.1% by weight in homogenous materials for lead, hexavalent chromium, mercury, PBB, PBDE, DBP, BBP, DEHP, DIBP, and 0.01% for cadmium, or qualify for an exemption to these limits as defined in the Annexes of Directive 2011/65/EU (RoHS2). Finished electrical and electronic equipment products will be CE marked as required by Directive 2011/65/EU. Components may not be CE marked. Additionally, the part numbers that TE has identified as EU ELV compliant have a maximum concentration of 0.1% by weight in homogenous materials for lead, hexavalent chromium, and mercury, and 0.01% for cadmium, or qualify for an exemption to these limits as defined in the Annexes of Directive 2000/53/EC (ELV). Regarding the REACH Regulation, the information TE provides on SVHC in articles for this part number is based on the latest European Chemicals Agency (ECHA) 'Guidance on requirements for substances in articles' posted at this URL: <https://echa.europa.eu/guidance-documents/guidance-on-reach>

## Compatible Parts




TE Part # 368085-1  
090II NON SLD REC(SQ 0.3-0.5)




TE Part # 1-368175-1  
090 MLC 8P CAP HSG

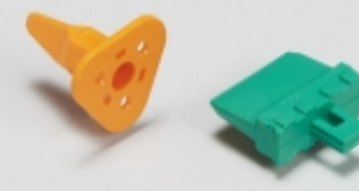
## Also in the Series | Multilock Connector System




Automotive Connector Caps & Covers  
(16)




Automotive Connector EMC Shielding  
(1)




Automotive Connector Locks & Position Assurance  
(2)




Automotive Housings(575)




Automotive Seals & Cavity Plugs(2)



Automotive Terminals(141)



Insertion & Extraction Tools(6)

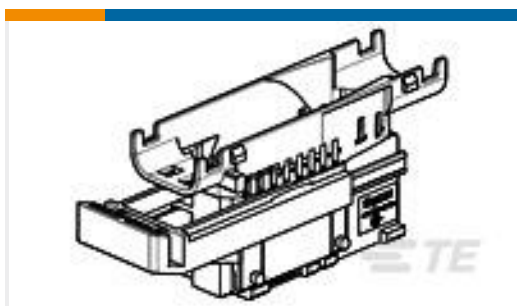
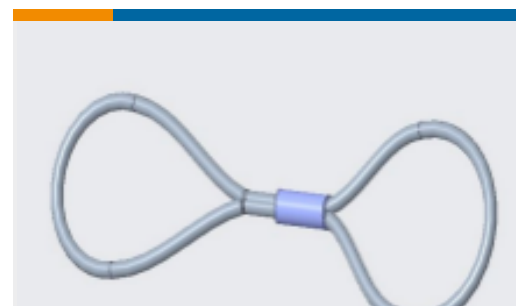


Other Automotive Connector Accessories(9)



PCB Headers &amp; Receptacles(129)

## Customers Also Bought

TE Part #776532-3  
AS 16, 8P PLUG ASSY, RD, KEY 3TE Part #1-480698-0  
02P UMNL PLUG HSG NATLTE Part #M902-2042  
DEUTSCH HD10 BACKSHELLSTE Part #DTM04-4P  
REC, 4P, GRY, NTE Part #1394522-1  
MIXED SOCKET HOUSING, 42POS. .TE Part #1-962919-1  
TAB 5.8x0.8 CONTACT CS SWS SnTE Part #JDL082397  
RUBBER LYDTE Part #965662-1  
KONTAKTSICHERUNG

## Documents

### Product Drawings

#### 090 MLC 8P PLUG HSG

English

### CAD Files

#### 3D PDF

3D

#### Customer View Model

[ENG\\_CVM\\_CVM\\_1-368176-1\\_A.2d\\_dxf.zip](#)

English

#### Customer View Model

[ENG\\_CVM\\_CVM\\_1-368176-1\\_A.3d\\_igs.zip](#)

English

#### Customer View Model

[ENG\\_CVM\\_CVM\\_1-368176-1\\_A.3d\\_stp.zip](#)

English

By downloading the CAD file I accept and agree to the [Terms and Conditions](#) of use.



---

**Datasheets & Catalog Pages**

**MULTILOCK Connector System**

English

---

**Product Specifications**

**090 MLC Series**

English