



AMP

TE Internal #: 1-66255-1

Power Contacts, Contact, Tin, 14 – 12 AWG / 16 AWG Wire Size, 2 – 3 mm<sup>2</sup> / 1.25 – 1.4 mm<sup>2</sup> Wire Size, Wire-to-Wire, Wire & Cable, Crimp, Power, Tab

[View on TE.com >](#)

Connectors > Power Connectors > Power Contacts



Power Contact Type: **Contact**

Contact Mating Area Plating Material: **Tin**

Wire Size: **1.25 – 1.4 mm<sup>2</sup>, 2 – 3 mm<sup>2</sup>**

Connector System: **Wire-to-Wire**

**Features**

**Product Type Features**

Power Contact Type	Contact
Connector System	Wire-to-Wire
Connector & Contact Terminates To	Wire & Cable

**Electrical Characteristics**

Test Current	15 A
--------------	------

**Contact Features**

Contact Mating Area Plating Material	Tin
Contact Current Rating (Max)	15 A
Contact Type	Tab
Mating Tab Width	5.84 mm[.23 in]
Mating Tab Thickness	2.67 mm[.105 in]
Contact Base Material	Copper
Contact Mating Area Plating Material Thickness	1.27 μm[50 μin]
Wire Contact Termination Area Plating Thickness	1.27 μm[50 μin]
Wire Contact Termination Area Plating Material	Tin
Wire Contact Termination Area Plating Material Finish	Bright
Contact Orientation	Right Angle
Contact Underplating Material	Copper

**Termination Features**



Termination Method to Wire & Cable	Crimp
------------------------------------	-------

### Mechanical Attachment

Connector Mounting Type	Board Mount
-------------------------	-------------

Wire Insulation Support	With
-------------------------	------

### Dimensions

Wire Size	1.25 – 1.4 mm <sup>2</sup> , 2 – 3 mm <sup>2</sup>
-----------	--

Accepts Wire Insulation Diameter Range	3.43 – 4.06 mm [.135 – .16 in]
--	--------------------------------

### Usage Conditions

Operating Temperature Range	-40 – 85 °C [-40 – 185 °F]
-----------------------------	----------------------------

### Operation/Application

Circuit Application	Power
---------------------	-------

### Packaging Features

Packaging Method	Reel
------------------	------

Packaging Quantity	1500
--------------------	------

### Other

Wire/Cable Type	Discrete Wire
-----------------	---------------

For Use With	CPC Connectors, G Series Connectors, M Series Connectors
--------------	--

### Product Compliance

[For compliance documentation, visit the product page on TE.com>](#)

EU RoHS Directive 2011/65/EU	Compliant
------------------------------	-----------

EU ELV Directive 2000/53/EC	Compliant
-----------------------------	-----------

China RoHS 2 Directive MIIT Order No 32, 2016	No Restricted Materials Above Threshold
---	---

EU REACH Regulation (EC) No. 1907/2006	Current ECHA Candidate List: JAN 2022 (223) Candidate List Declared Against: JUL 2021 (219) SVHC > Threshold: Not Yet Reviewed
--	---


Halogen Content	BFR/CFR/PVC Free, but Br/Cl >900 ppm in other sources.
-----------------	--

Solder Process Capability	Not applicable for solder process capability
---------------------------	--

Product Compliance Disclaimer

This information is provided based on reasonable inquiry of our suppliers and represents our current actual knowledge based on the information they provided. This information is subject to change. The part numbers that TE has identified as EU RoHS compliant have a maximum concentration of 0.1% by weight in homogenous materials for lead, hexavalent chromium, mercury, PBB, PBDE, DBP, BBP, DEHP, DIBP, and 0.01% for cadmium, or qualify for an exemption to these limits as defined in the Annexes of Directive 2011/65/EU (RoHS2). Finished electrical and electronic equipment products will be CE marked as required by Directive 2011/65/EU. Components may not be CE marked. Additionally, the part numbers that TE has identified as EU ELV compliant have a maximum concentration of 0.1% by weight in homogenous materials for lead, hexavalent chromium, and mercury, and 0.01% for cadmium, or qualify for an exemption to these limits as defined in the Annexes of Directive 2000/53/EC (ELV). Regarding the REACH Regulation, the information TE provides on SVHC in articles for this part number is based on the latest European Chemicals Agency (ECHA) 'Guidance on requirements for substances in articles' posted at this URL: <https://echa.europa.eu/guidance-documents/guidance-on-reach>

## Compatible Parts



TE Part # 90382-2  
HHHT TYPE XII 16-12 ASSY



TE Part # 7-1579008-6  
UNLOCKING TOOL



TE Part # 1-66740-9  
TYPE XII FEMALE CONT (STRIP)

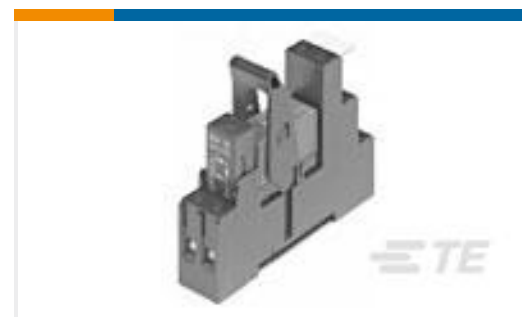


TE Part # 539668-2  
MATRIZE TYPE 3+

## Customers Also Bought



TE Part #206226-1  
CPC PLUG ASSEMBLY SIZE 23-7



TE Part #2-1415073-1  
RT4S4R24



TE Part #770424-1  
02P.093 COMM P&S RCPT .248CL



TE Part #EC0049-000  
Z-TYPE PUSH-ON MARKERS



TE Part #1-66740-9  
TYPE XII FEMALE CONT (STRIP)



TE Part #EC0039-000  
05801808



TE Part #EC0037-000  
05801606



TE Part #EC0036-000  
05801505



## Documents

### Product Drawings

#### MALE CONTACT ASSY. (STRIP)

English

### CAD Files

#### Customer View Model

[ENG\\_CVM\\_CVM\\_1-66255-1\\_AE.2d\\_dxf.zip](#)

English

#### 3D PDF

3D

#### Customer View Model

[ENG\\_CVM\\_CVM\\_1-66255-1\\_AE.3d\\_igs.zip](#)

English

#### Customer View Model

[ENG\\_CVM\\_CVM\\_1-66255-1\\_AE.3d\\_stp.zip](#)

English

By downloading the CAD file I accept and agree to the [Terms and Conditions](#) of use.

### Datasheets & Catalog Pages

#### Products for Aerospace and Defense

English

### Product Specifications

#### Application Specification

English