

1-1355118-1 ✓ ACTIVE

AMP | MQS

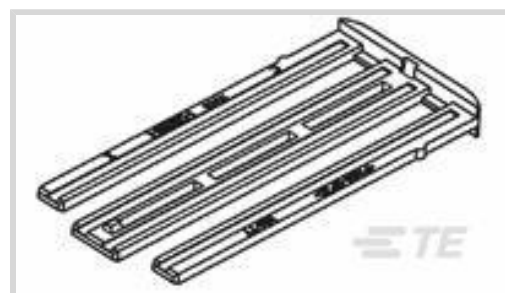
TE Internal #: 1-1355118-1

Automotive Connector Locks & Position Assurance, TPA (Terminal Position Assurance), Wire-to-Board, PA GF, -40 – 140 °C [-40 – 284 °F], MQS

[View on TE.com >](#)



Connectors > Automotive Connectors > Connector Accessories > Locks & Position Assurance



Connector & Contact Retention Accessory Type: **TPA (Terminal Position Assurance)**

Connector System: **Wire-to-Board**

Primary Product Material: **PA GF**

Operating Temperature Range: **-40 – 140 °C [-40 – 284 °F]**

Features

Product Type Features

Connector & Contact Retention Accessory Type	TPA (Terminal Position Assurance)
Connector System	Wire-to-Board

Body Features

Primary Product Material	PA GF
--------------------------	-------

Usage Conditions

Operating Temperature Range	-40 – 140 °C[-40 – 284 °F]
-----------------------------	----------------------------

Industry Standards

UL Flammability Rating	UL 94HB
------------------------	---------

Packaging Features

Packaging Method	Carton
------------------	--------

Other

Serviceable	Yes
-------------	-----

Product Compliance

[For compliance documentation, visit the product page on TE.com>](#)

EU RoHS Directive 2011/65/EU	Compliant
EU ELV Directive 2000/53/EC	Compliant
China RoHS 2 Directive MIIT Order No 32, 2016	No Restricted Materials Above Threshold



EU REACH Regulation (EC) No. 1907/2006

Current ECHA Candidate List: JAN 2022 (223)

Candidate List Declared Against: JAN 2022 (223)

Does not contain REACH SVHC

Halogen Content

BFR/CFR/PVC Free, but Br/Cl >900 ppm in other sources.

Solder Process Capability

Not applicable for solder process capability

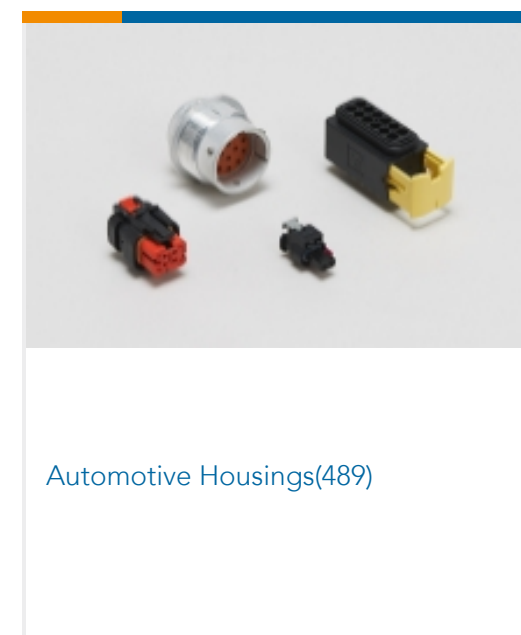
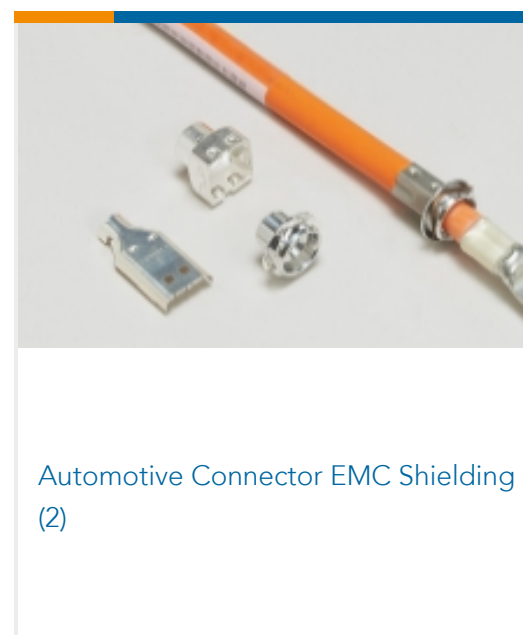
Product Compliance Disclaimer

This information is provided based on reasonable inquiry of our suppliers and represents our current actual knowledge based on the information they provided. This information is subject to change. The part numbers that TE has identified as EU RoHS compliant have a maximum concentration of 0.1% by weight in homogenous materials for lead, hexavalent chromium, mercury, PBB, PBDE, DBP, BBP, DEHP, DIBP, and 0.01% for cadmium, or qualify for an exemption to these limits as defined in the Annexes of Directive 2011/65/EU (RoHS2). Finished electrical and electronic equipment products will be CE marked as required by Directive 2011/65/EU. Components may not be CE marked. Additionally, the part numbers that TE has identified as EU ELV compliant have a maximum concentration of 0.1% by weight in homogenous materials for lead, hexavalent chromium, and mercury, and 0.01% for cadmium, or qualify for an exemption to these limits as defined in the Annexes of Directive 2000/53/EC (ELV). Regarding the REACH Regulation, the information TE provides on SVHC in articles for this part number is based on the latest European Chemicals Agency (ECHA) 'Guidance on requirements for substances in articles' posted at this URL: <https://echa.europa.eu/guidance-documents/guidance-on-reach>

Compatible Parts



Also in the Series | MQS





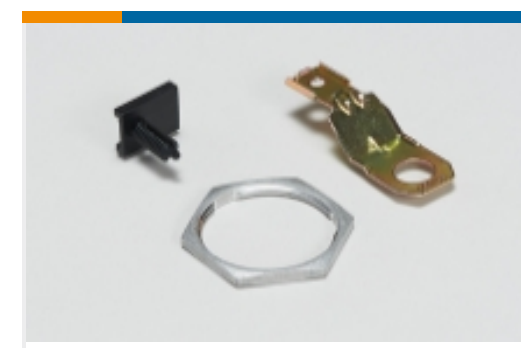
Automotive Seals & Cavity Plugs(26)



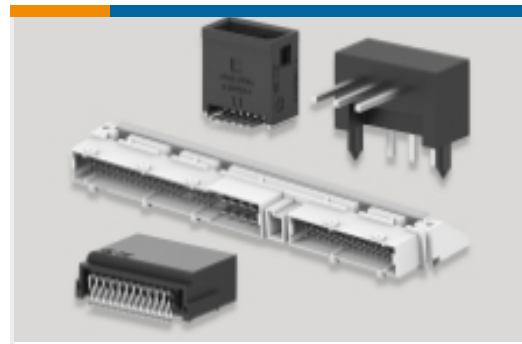
Automotive Terminals(96)



Insertion & Extraction Tools(42)

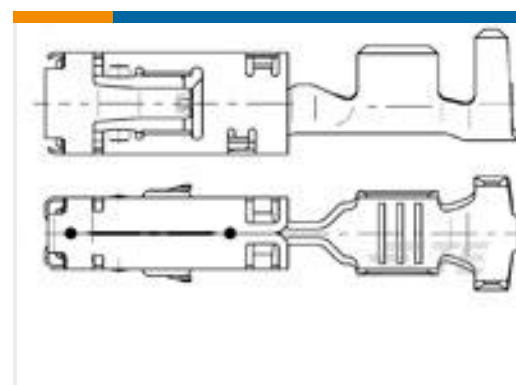
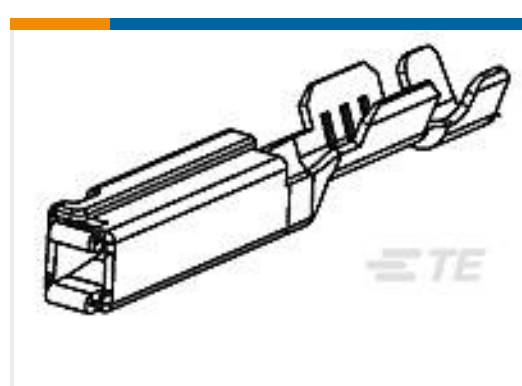


Other Automotive Connector Accessories(13)



PCB Headers & Receptacles(207)

Customers Also Bought

TE Part #1241408-1
AMP MCP, RECEPTACLE AND TABTE Part #2-927770-1
TIMER, RECEPTACLE AND TABTE Part #967542-2
SENS FLA-KONT 2,8TE Part #1241608-6
MQS1,5 Ag rec CB unseal. 0,75-1,5TE Part #1393364-2
V23540X7000Y 12=GET FEM TERM ATE Part #284722-1
COVER FOR 94 POS. RECEPTACLE HOUSINGTE Part #1897635-2
ECU 60P PLUG ASS'Y

Documents

Product Drawings

RETAINER FOR 60POS SOCKET HSG

English

CAD Files

3D PDF

3D

Customer View Model

ENG_CVM_CVM_1-1355118-1_C_c-1-1355118-1-c.2d_dxf.zip



English

Customer View Model

[ENG_CVM_CVM_1-1355118-1_C_c-1-1355118-1-c.3d_igs.zip](#)

English

Customer View Model

[ENG_CVM_CVM_1-1355118-1_C_c-1-1355118-1-c.3d_stp.zip](#)

English

By downloading the CAD file I accept and agree to the [Terms and Conditions](#) of use.

Product Environmental Compliance

[MD_1-1355118-1_0525201850_dmtec](#)

English

[MD_1-1355118-1_0525201850_dmtec](#)

English