

1-520935-5 ✓ ACTIVE

[Positive Lock](#) | [Positive Lock 250](#)

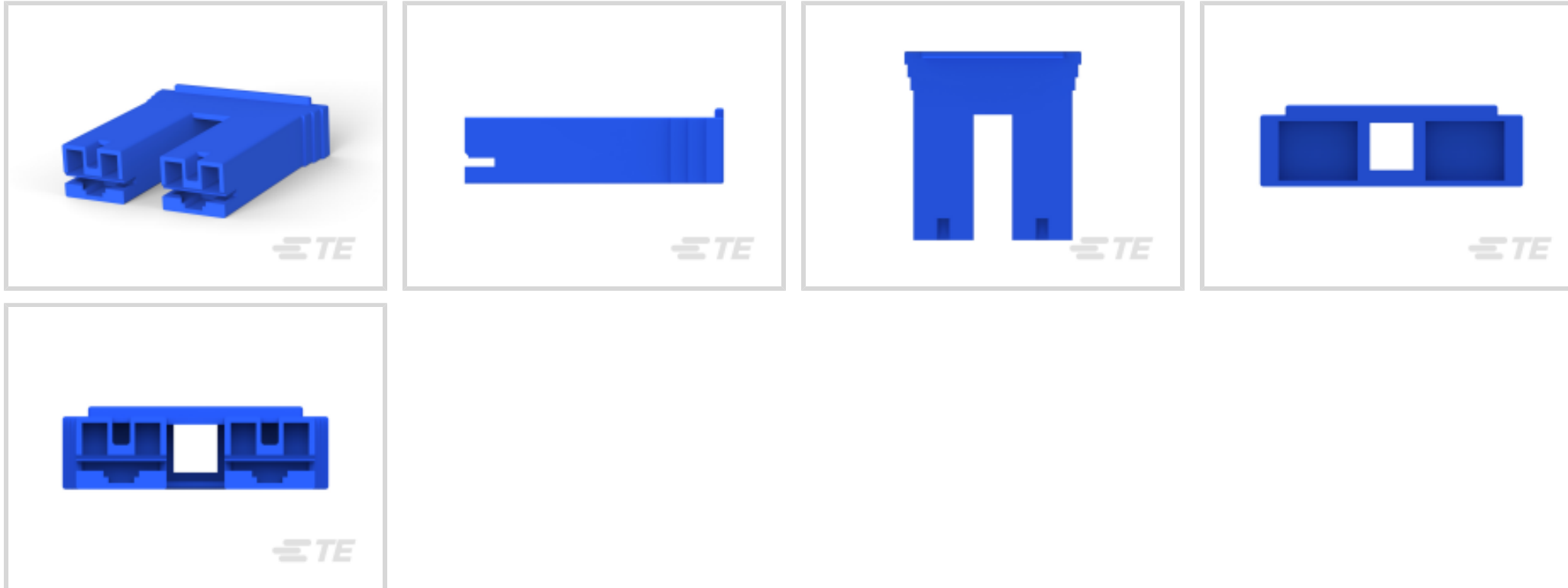
TE Internal #: 1-520935-5

Crimp Terminal Housings, Receptacle, Receptacle, 2 Position,  
Straight, UL 94V-0, Blue, Nylon, Contact Mating Retention, Positive  
Lock 250

[View on TE.com >](#)



Terminals & Splices > Terminal Housings, Insulation Sleeves & Blocks > Crimp Terminal Housings



Terminal Type: **Receptacle**

Housing Type: **Receptacle**

Number of Positions: **2**

Terminal Orientation: **Straight**

UL Flammability Rating: **UL 94V-0**

## Features

### Product Type Features

Terminates To	Wire & Cable
Product Type	Terminal Housing
Sealable	No
Connector System	Wire-to-Board, Wire-to-Wire
Housing Type	Receptacle
Insulated	No

### Configuration Features

Number of Positions	2
---------------------	---

### Body Features

Primary Product Color	Blue
-----------------------	------

### Contact Features

Terminal Type	Receptacle
Terminal Orientation	Straight
Contact Mating Retention	With



### Mechanical Attachment

Mating Alignment Type	Polarization
Mating Alignment	With
Crimp Terminal Housing Mounting Style	Cable Mount (Free-Hanging)

### Housing Features

Housing Material	Nylon
Centerline (Pitch)	15.11 mm[.595 in]

### Dimensions

	.475 in
--	---------

### Usage Conditions

Operating Temperature Range	-40 – 105 °C[-40 – 221 °F]
-----------------------------	----------------------------

### Operation/Application

For Use With	FASTON Terminals
--------------	------------------

### Industry Standards

UL Flammability Rating	UL 94V-0
------------------------	----------

### Packaging Features

Packaging Quantity	1
Packaging Method	Carton

### Product Compliance

[For compliance documentation, visit the product page on TE.com>](#)

EU RoHS Directive 2011/65/EU	Compliant
EU ELV Directive 2000/53/EC	Compliant
China RoHS 2 Directive MIIT Order No 32, 2016	No Restricted Materials Above Threshold
EU REACH Regulation (EC) No. 1907/2006	Current ECHA Candidate List: JAN 2022 (223) Candidate List Declared Against: JAN 2022 (223) Does not contain REACH SVHC
Halogen Content	BFR/CFR/PVC Free, but Br/Cl >900 ppm in other sources.
Solder Process Capability	Not applicable for solder process capability

Product Compliance Disclaimer

This information is provided based on reasonable inquiry of our suppliers and represents our current actual knowledge based on the information they provided. This information is subject to change. The part numbers that TE has identified as EU RoHS compliant have a maximum concentration of 0.1% by weight in homogenous materials for lead, hexavalent chromium, mercury, PBB, PBDE, DBP, BBP, DEHP, DIBP, and 0.01% for cadmium, or qualify for an exemption to these limits as defined in the Annexes of Directive 2011/65/EU (RoHS2). Finished electrical and electronic equipment products will be CE marked as required by Directive 2011/65/EU. Components may not be CE marked. Additionally, the part numbers that TE has identified as EU ELV compliant have a maximum concentration of 0.1% by weight in homogenous materials for lead, hexavalent chromium, and mercury, and 0.01% for cadmium, or qualify for an exemption to these limits as defined in the Annexes of Directive 2000/53/EC (ELV). Regarding the REACH Regulation, the information TE provides on SVHC in articles for this part number is based on the latest European Chemicals Agency (ECHA) 'Guidance on requirements for substances in articles' posted at this URL: <https://echa.europa.eu/guidance-documents/guidance-on-reach>

## Compatible Parts



TE Part # 63933-2  
250 PL MKIII REC. 22-18AWG TPBR



TE Part # 63854-2  
250 PL MKIII REC. 18-14AWG TPBR



TE Part # 63933-1  
PL .250 TERMINAL REC 22-18 AWG BR



TE Part # 1217092-1  
PL 250 TERMINAL RECEPTACLE 16-12 AWG BR



TE Part # 63854-1  
250 PL MKIII REC. 18-14AWG BR



TE Part # 1217092-2  
PL 250 TERMINAL REC 16-12 AWG TPBR

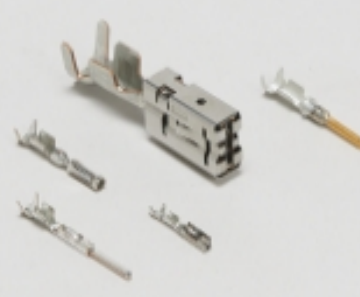


TE Part # 2-521120-1  
HSG RECPT POSILOK MK III 250 Blue

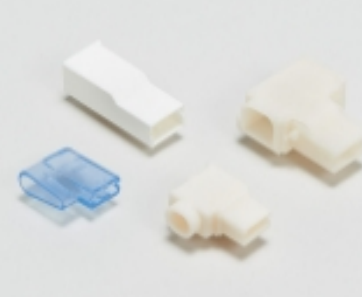


TE Part # 368612-2  
POSITIVE LOCK 250 TERMINAL-FLAG


## Also in the Series | Positive Lock 250



Automotive Terminals(1)



Crimp Terminal Housings(203)



Insertion & Extraction Tools(3)



Insulation Boots & Sleeves(4)

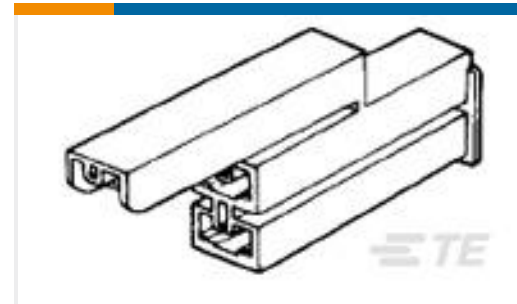


Quick Disconnects(189)

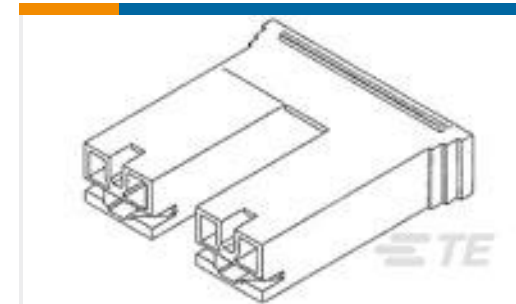
## Customers Also Bought



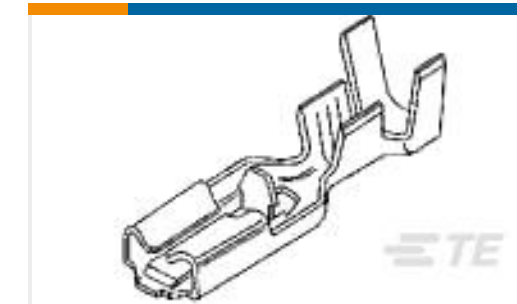
TE Part #521411-2  
ULTRA-POD 250 ASY REC 22-18 AWG  
TPBR



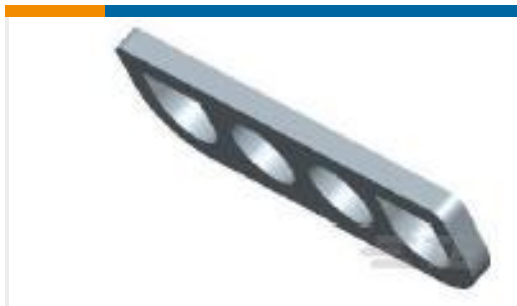
TE Part #1-172075-1  
3 POS PL 187(4.8 MM) HOUSING  
NATURAL



TE Part #1-520935-2  
PL 250 HOUSING REC RED 6/6  
NYLON V2



TE Part #63097-1  
250 PL MKII REC. 18-14AWG TPBR



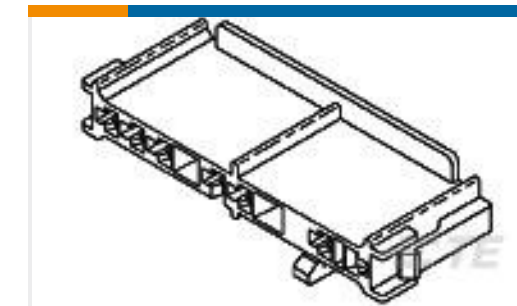
TE Part #794785-1  
04P UMNLI INTERFACE SEAL



TE Part #1241965-4  
STANDARD TIMER HSG. WITH EXT.  
LOCK.



TE Part #1241959-4  
STD-TIM HSG MKII 4P



TE Part #521085-1  
DRYER .250 HOUSING NYLON 6/6



TE Part #4-1241961-3  
2POS.STD.TIMER HSG.MARK II



TE Part #5-1241965-2  
2POS STANDARD TIMER HOUSING

## Documents

### Product Drawings

[PL 250 HOUSING REC BLUE 6/6 NYLON V2](#)

English

### CAD Files

[3D PDF](#)

[3D](#)

[Customer View Model](#)

[ENG\\_CVM\\_CVM\\_1-520935-5\\_AW.2d\\_dxf.zip](#)



English

**Customer View Model**

[ENG\\_CVM\\_CVM\\_1-520935-5\\_AW.3d\\_igs.zip](#)

English

**Customer View Model**

[ENG\\_CVM\\_CVM\\_1-520935-5\\_AW.3d\\_stp.zip](#)

English

By downloading the CAD file I accept and agree to the [Terms and Conditions](#) of use.

---

**Datasheets & Catalog Pages**

[FASTON Housings](#)

English

[Positive Lock Receptacles](#)

English

---

**Product Specifications**

[Product Specification](#)

Japanese

["250" Series, Positive Lock Connector](#)

Japanese

---

**Product Environmental Compliance**

[TE Material Declaration](#)

English

---

**Agency Approvals**

[UL Report](#)

English