

1-1903391-2 ✓ ACTIVE

GRACE INERTIA 2.5

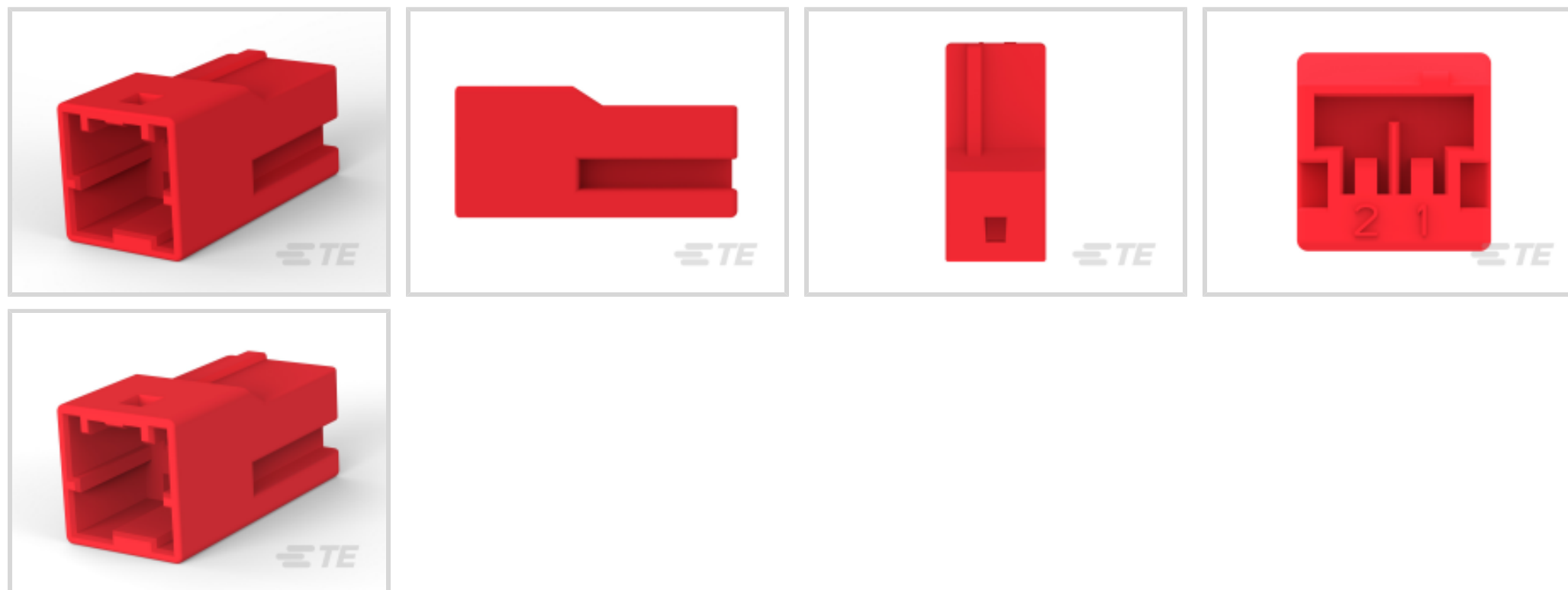
TE Internal #: 1-1903391-2

Housing, Receptacle, Wire-to-Wire, 2 Position, 2.5 mm [.098 in]
Centerline, Crimp, 1 Row, Red, Mating Retention, Wire & Cable,
GRACE INERTIA 2.5

[View on TE.com >](#)



Connectors > PCB Connectors > Wire-to-Board Connectors > Wire-to-Board Connector Assemblies & Housings



Connector Product Type: **Housing**

Connector & Housing Type: **Receptacle**

Connector System: **Wire-to-Wire**

Number of Positions: **2**

Centerline (Pitch): **2.5 mm [.098 in]**

Features

Product Type Features

Connector Product Type	Housing
Connector & Housing Type	Receptacle
Connector System	Wire-to-Wire
Sealable	No
Connector & Contact Terminates To	Wire & Cable

Configuration Features

Keying Code	B
Number of Positions	2
Number of Rows	1

Electrical Characteristics

Operating Voltage	250 VAC
-------------------	---------

Contact Features

Contact Layout	Inline
Contact Type	Socket



Contact Base Material	Copper Alloy
-----------------------	--------------

Termination Features

Termination Method to Wire & Cable	Crimp
------------------------------------	-------

Mechanical Attachment

Strain Relief	Without
---------------	---------

Panel Mount Feature	Without
---------------------	---------

PCB Mount Retention	Without
---------------------	---------

Mating Retention Type	Latch
-----------------------	-------

Mating Retention	With
------------------	------

Connector Mounting Type	Cable Mount (Free-Hanging)
-------------------------	----------------------------

Housing Features

Housing Entry Configuration	Both Ends Open
-----------------------------	----------------

Housing Material	PBT GF
------------------	--------

Centerline (Pitch)	2.5 mm [.098 in]
--------------------	------------------

Housing Color	Red
---------------	-----

Dimensions

Connector Height	8.8 mm [.346 in]
------------------	------------------

Usage Conditions

Operating Temperature Range	-30 – 105 °C [-22 – 221 °F]
-----------------------------	-----------------------------

Operation/Application

Circuit Application	Power & Signal
---------------------	----------------

Industry Standards

Glow Wire Rating	Standard Part - Not Glow Wire
------------------	-------------------------------

Packaging Features

Packaging Quantity	500
--------------------	-----

Packaging Method	Bag
------------------	-----

Other

Comment	Other options available upon request, consult our Product Information Center.
---------	-------------------------------------------------------------------------------

Product Compliance

For compliance documentation, visit the product page on [TE.com](https://www.te.com)>



EU RoHS Directive 2011/65/EU	Compliant
EU ELV Directive 2000/53/EC	Compliant
China RoHS 2 Directive MIIT Order No 32, 2016	No Restricted Materials Above Threshold
EU REACH Regulation (EC) No. 1907/2006	Current ECHA Candidate List: JAN 2022 (223) Candidate List Declared Against: JAN 2022 (223) Does not contain REACH SVHC
Halogen Content	Not Low Halogen - contains Br or Cl > 900 ppm.
Solder Process Capability	Not applicable for solder process capability

Product Compliance Disclaimer

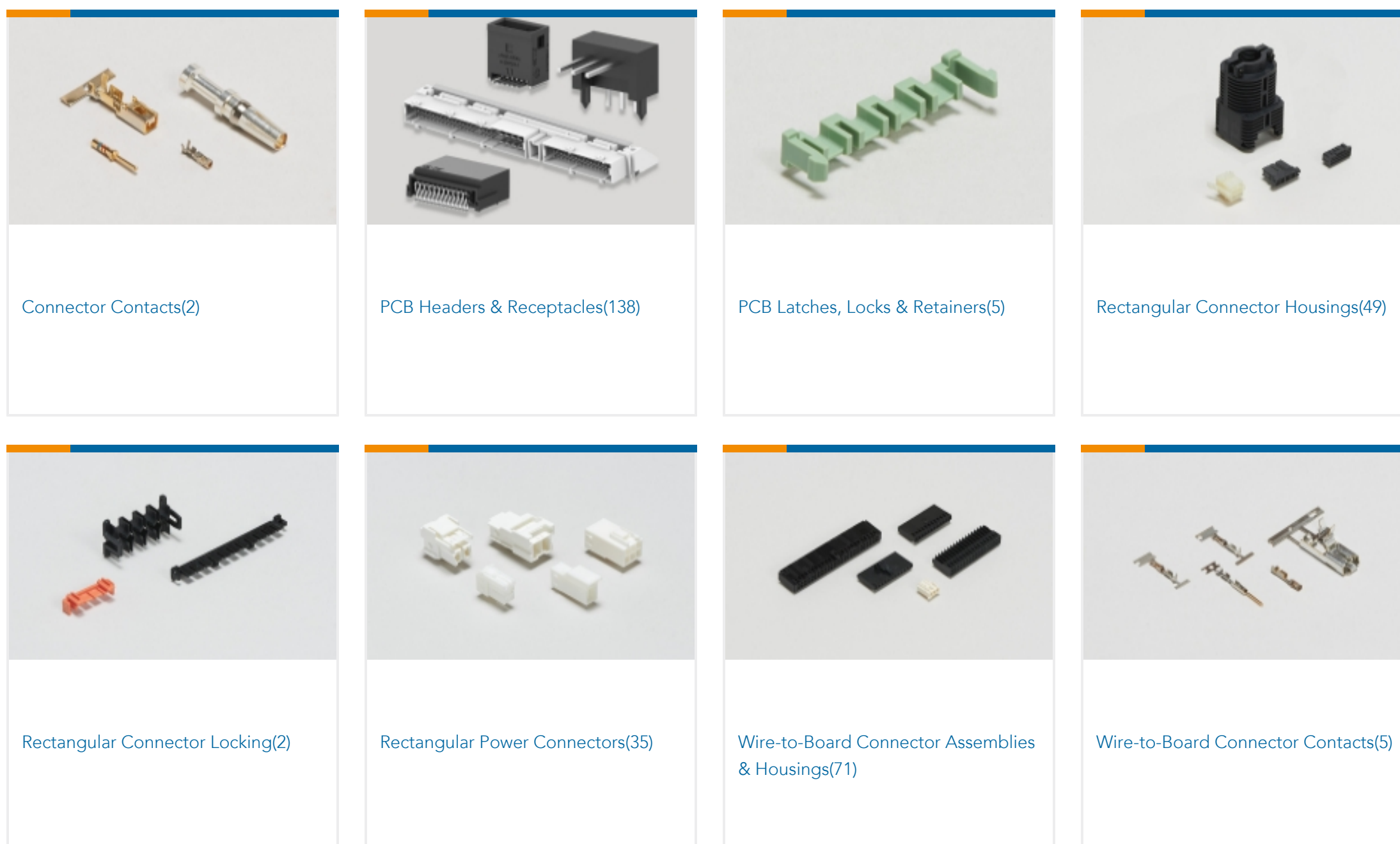
This information is provided based on reasonable inquiry of our suppliers and represents our current actual knowledge based on the information they provided. This information is subject to change. The part numbers that TE has identified as EU RoHS compliant have a maximum concentration of 0.1% by weight in homogenous materials for lead, hexavalent chromium, mercury, PBB, PBDE, DBP, BBP, DEHP, DIBP, and 0.01% for cadmium, or qualify for an exemption to these limits as defined in the Annexes of Directive 2011/65/EU (RoHS2). Finished electrical and electronic equipment products will be CE marked as required by Directive 2011/65/EU. Components may not be CE marked. Additionally, the part numbers that TE has identified as EU ELV compliant have a maximum concentration of 0.1% by weight in homogenous materials for lead, hexavalent chromium, and mercury, and 0.01% for cadmium, or qualify for an exemption to these limits as defined in the Annexes of Directive 2000/53/EC (ELV). Regarding the REACH Regulation, the information TE provides on SVHC in articles for this part number is based on the latest European Chemicals Agency (ECHA) 'Guidance on requirements for substances in articles' posted at this URL: <https://echa.europa.eu/guidance-documents/guidance-on-reach>

Compatible Parts

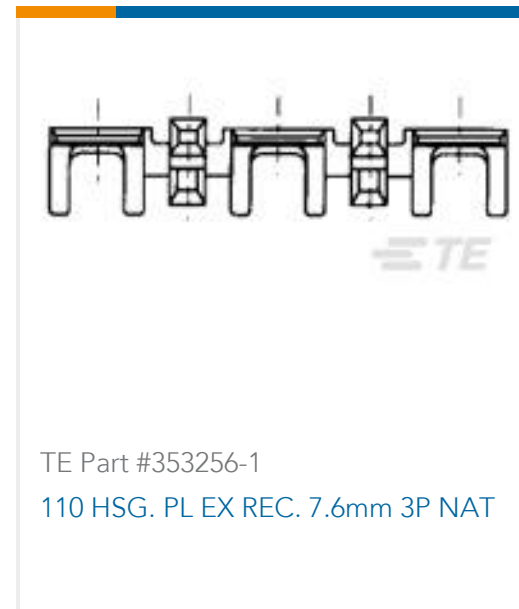
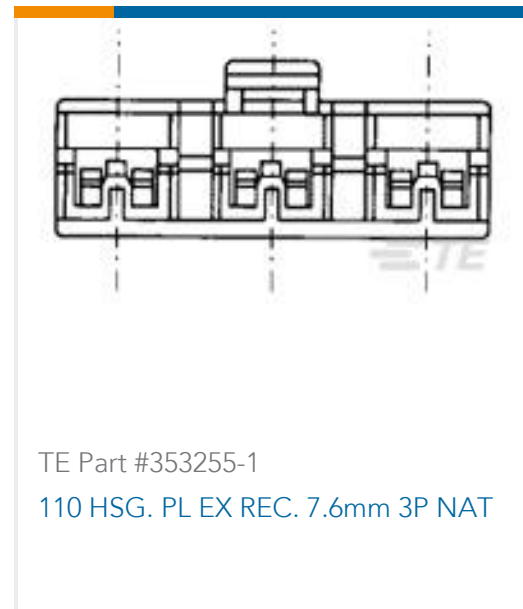
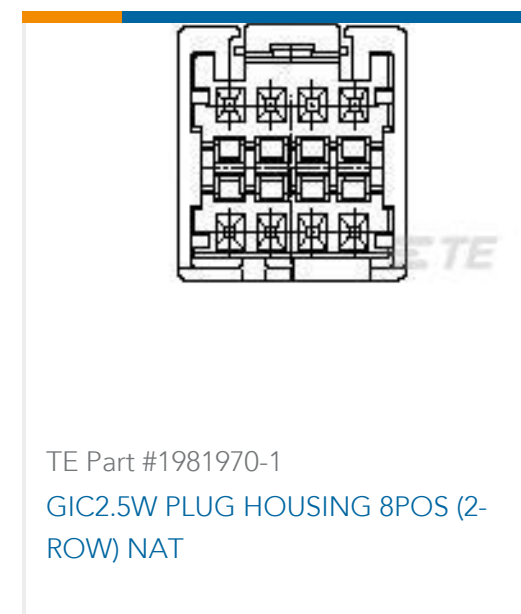
 <p>TE Part # 6-1747072-2 GRACE INERTIA CONN 2.5 ON TAPE HDR 2P RE</p>	 <p>TE Part # CAT-G7534A-H342A Glow Wire Sig GRACE INERTIA Header</p>	 <p>TE Part # CAT-G7534A-P729 STD Temp Sig GRACE INERTIA Plug</p>	 <p>TE Part # CAT-G7534A-P729A Glow Wire Sig GRACE INERTIA Plug</p>
 <p>TE Part # 7-1747072-2 GRACE INERTIA CONN 2.5 ON TAPE HDR 2P BL</p>	 <p>TE Part # 1747067-2 GRACE INERTIA CONN 2.5 HDR ASSY 2P NATUR</p>	 <p>TE Part # 1747066-2 GRACE INERTIA CONN 2.5 PLUG HSG 2P NATUR</p>	 <p>TE Part # 1-1747066-2 GRACE INERTIA CONN 2.5 PLUG HSG 2P RED</p>



Also in the Series | GRACE INERTIA 2.5



Customers Also Bought



Documents

Product Drawings

GIC 2.5 W CAP HSG 2P RED

English

CAD Files

3D PDF

3D

Customer View Model

[ENG_CVM_CVM_1-1903391-2_F.2d_dxf.zip](#)

English

Customer View Model

[ENG_CVM_CVM_1-1903391-2_F.3d_igs.zip](#)

English

Customer View Model

[ENG_CVM_CVM_1-1903391-2_F.3d_stp.zip](#)

English

By downloading the CAD file I accept and agree to the [Terms and Conditions](#) of use.

Product Specifications

Product Specification

English

Product Environmental Compliance

TE Material Declaration

English