



SL-156

TE Internal #: 1-640250-0

Housing, Receptacle, Wire-to-Board, 10 Position, 3.96 mm [.156 in]
Centerline, Crimp, 1 Row, Natural, Mating Retention, Wire & Cable,
SL-156

[View on TE.com >](#)

Connectors > PCB Connectors > Wire-to-Board Connectors > Wire-to-Board Connector Assemblies & Housings >

3.96mm Wire-to-board housing: receptacle, with mating alignment, SL 156



Connector Product Type: **Housing**

Connector & Housing Type: **Receptacle**

Connector System: **Wire-to-Board**

Number of Positions: **10**

Centerline (Pitch): **3.96 mm [.156 in]**

[All 3.96mm Wire-to-board housing: receptacle, with mating alignment, SL 156 \(124\)](#)

Features

Product Type Features

Connector Product Type	Housing
Connector & Housing Type	Receptacle
Connector System	Wire-to-Board
Sealable	No
Connector & Contact Terminates To	Wire & Cable

Configuration Features

Number of Positions	10
Number of Rows	1

Electrical Characteristics

Operating Voltage	250 VAC
-------------------	---------

Contact Features

--	--



Contact Layout	Inline
Contact Retention Within Housing	Without
Contact Type	Socket
Contact Current Rating (Max)	6.5 A

Termination Features

Termination Method to Wire & Cable	Crimp
------------------------------------	-------

Mechanical Attachment

Strain Relief	Without
PCB Mount Alignment	Without
Panel Mount Feature	Without
PCB Mount Retention	Without
Mating Retention Type	Locking Ramp
Mating Retention	With
Connector Mounting Type	Cable Mount (Free-Hanging)

Housing Features

Housing Entry Configuration	Left End Open
Housing Material	Nylon - GF
Centerline (Pitch)	3.96 mm [.156 in]
Housing Color	Natural

Dimensions

	1.558 in
Connector Height	6.35 mm
Wire Size	.0509 – .823 mm ²

Usage Conditions

Operating Temperature Range	-55 – 105 °C [-67 – 221 °F]
-----------------------------	-----------------------------

Operation/Application

Circuit Application	Power & Signal
---------------------	----------------

Industry Standards

CSA Rating	Certified
UL Flammability Rating	UL 94V-0
UL File Number	E28476
UL Rating	Listed



Agency/Standard	CSA, UL
CSA File Number	LR 7189

Packaging Features

Packaging Quantity	1
Packaging Method	Package

Other

Comment	Unit Accepts 1.14[.045] Square or Round Post, Accepts Keying Plug 640254-1 and 640255-1
---------	---

Product Compliance

[For compliance documentation, visit the product page on TE.com>](#)

EU RoHS Directive 2011/65/EU	Compliant
EU ELV Directive 2000/53/EC	Compliant
China RoHS 2 Directive MIIT Order No 32, 2016	No Restricted Materials Above Threshold
EU REACH Regulation (EC) No. 1907/2006	Current ECHA Candidate List: JAN 2022 (223) Candidate List Declared Against: JAN 2022 (223) Does not contain REACH SVHC
Halogen Content	Low Halogen - Br, Cl, F, I < 900 ppm per homogenous material. Also BFR/CFR/PVC Free
Solder Process Capability	Not applicable for solder process capability

Product Compliance Disclaimer

This information is provided based on reasonable inquiry of our suppliers and represents our current actual knowledge based on the information they provided. This information is subject to change. The part numbers that TE has identified as EU RoHS compliant have a maximum concentration of 0.1% by weight in homogenous materials for lead, hexavalent chromium, mercury, PBB, PBDE, DBP, BBP, DEHP, DIBP, and 0.01% for cadmium, or qualify for an exemption to these limits as defined in the Annexes of Directive 2011/65/EU (RoHS2). Finished electrical and electronic equipment products will be CE marked as required by Directive 2011/65/EU. Components may not be CE marked. Additionally, the part numbers that TE has identified as EU ELV compliant have a maximum concentration of 0.1% by weight in homogenous materials for lead, hexavalent chromium, and mercury, and 0.01% for cadmium, or qualify for an exemption to these limits as defined in the Annexes of Directive 2000/53/EC (ELV). Regarding the REACH Regulation, the information TE provides on SVHC in articles for this part number is based on the latest European Chemicals Agency (ECHA) 'Guidance on requirements for substances in articles' posted at this URL: <https://echa.europa.eu/guidance-documents/guidance-on-reach>

Compatible Parts



TE Part # CAT-103156-WBHSM
3.96mm Wire-to-board housing: receptacle, with mating alignment, SL 156



TE Part # 1-640384-0
10P MTA156 HDR ASSY STR RND SN



TE Part # 1-640389-0
10P MTA156 HDR ASSY SQ R/A F/L



TE Part # 1-640385-0
10P MTA156 HDR ASSY SQ R/A



TE Part # 1-643067-0
10P MTA156 MOLDED COVER



TE Part # 1-640388-0
10P MTA156 HDR ASSY RN STR F/L



TE Part # 4-641208-0
10P MTA156 HDR ASSY FL ST LF



TE Part # 1-640383-0
10P MTA156 HDR ASSY STR SQ SN



TE Part # 4-644759-0
10P MTA156 HDR ASSY STR LF



TE Part # 1-644752-0
10P MTA156 HDR ASSY SQ STR F/L



TE Part # 1-640445-0
10P MTA156 HDR ASSY FL/STR SN



TE Part # 4-644615-0
10P MTA156 POL LOCK ASSY LF



TE Part # 1-643071-0
10P MTA156 FD-THRU COVER



TE Part # 4-641119-0
10P MTA156 HDR ASSY FL/ST LF



TE Part # 1-640551-0
10P MTA156 COVER



TE Part # 4-641210-0
10P MTA156 HDR FLRA FB 30AU LF



TE Part # 4-641121-0
10P MTA156 HDR ASSY FL/RA LF



TE Part # 1-644753-0
10P MTA156 HDR ASSY RN STR F/L



TE Part # 1-640643-0
10P MTA156 COVER F/T



TE Part # 1-641119-0
10P MTA156 HDR ASSY FL/ST 15AU

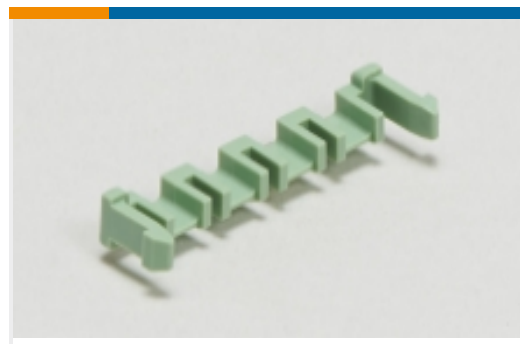
Also in the Series | **SL-156**



Insertion & Extraction Tools(1)



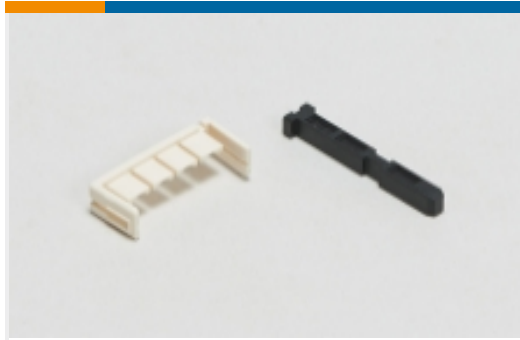
PCB Connector Keying(2)



PCB Latches, Locks & Retainers(1)



Rectangular Connector Housings(12)



Rectangular Connector Keying Plugs(1)



Wire-to-Board Connector Assemblies & Housings(158)

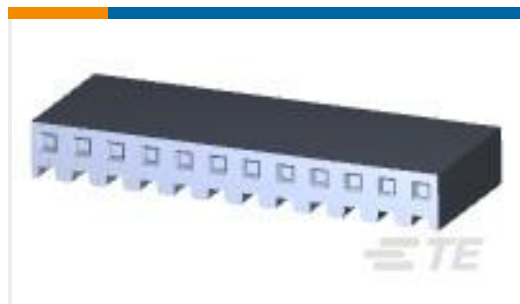


Wire-to-Board Connector Contacts(24)

Customers Also Bought



TE Part #1-1375820-3
CST-100 II HOUSING 13 POS



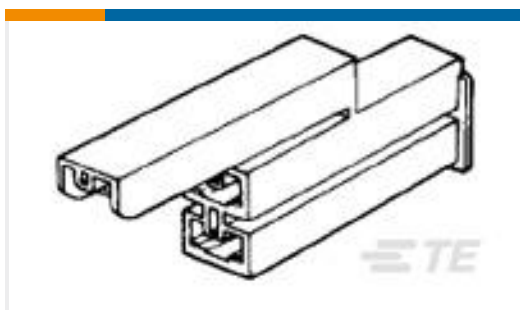
TE Part #1-640251-2
12P SL156 HSG W/O LCK RAMP



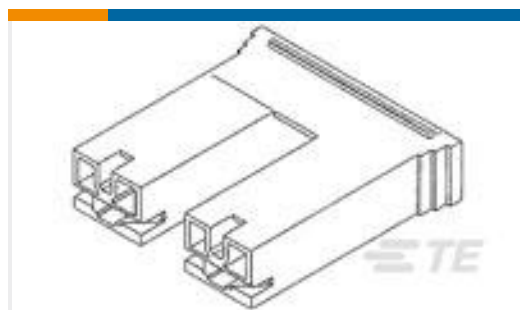
TE Part #640250-4
04P SL156 HSG W/LCK RAMP NATL



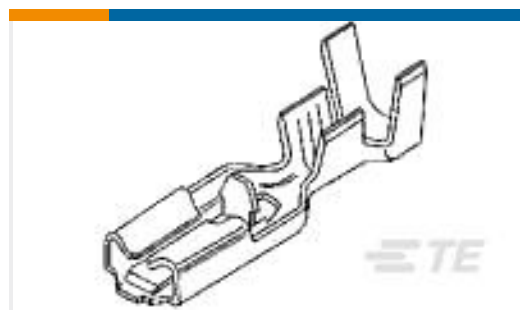
TE Part #1-2132781-0
10P EP-II HOUSING, NATURAL



TE Part #1-172075-1
3 POS PL 187(4.8 MM) HOUSING
NATURAL



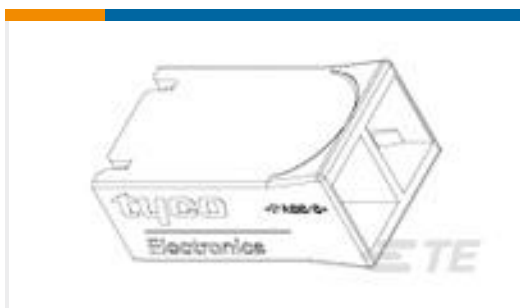
TE Part #1-520935-1
250 HSG. PL MKII REC. 15.11mm 2P
NAT



TE Part #63119-1
POSITIVE LOCK 250 REC 22-18 AWG
TPBR



TE Part #63933-2
250 PL MKIII REC. 22-18AWG TPBR



TE Part #521766-1
250 HSG. PL MKIII REC. 10mm 2P NAT



TE Part #1-794075-1
16P MINI UMNL HDR W/O DH AU LF

Documents



Product Drawings

10P SL156 HSG W/LCK RAMP NATL

English

CAD Files

3D PDF

3D

Customer View Model

[ENG_CVM_CVM_1-640250-0_AR_c-1-640250-0-ar.2d_dxf.zip](#)

English

Customer View Model

[ENG_CVM_CVM_1-640250-0_AR_c-1-640250-0-ar.3d_igs.zip](#)

English

Customer View Model

[ENG_CVM_CVM_1-640250-0_AR_c-1-640250-0-ar.3d_stp.zip](#)

English

By downloading the CAD file I accept and agree to the [Terms and Conditions](#) of use.

Datasheets & Catalog Pages

MTA, CST-100 II, SL-156 and AMP Economy Power (EP) Connectors

English

Product Specifications

Application Specification

English

Product Environmental Compliance

MD_1-640250-0_060720181236_dmtec

English

MD_1-640250-0_060720181236_dmtec

English

Agency Approvals

Agency Approval Document

English