

1-163087-1 ✓ ACTIVE

AMP | AMP Type III+

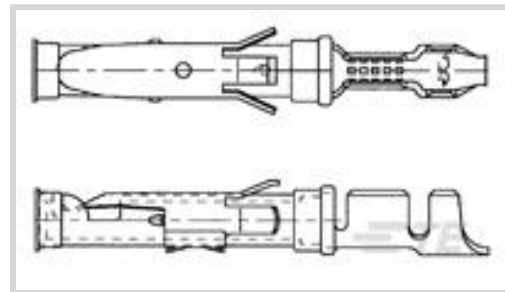
TE Internal #: 1-163087-1

Power Contacts, Contact, Gold, 24 – 20 AWG Wire Size, .2 – .6 mm<sup>2</sup> Wire Size, Wire & Cable, Crimp, Power & Signal, Socket, AMP Type III+

[View on TE.com >](#)



Connectors > Power Connectors > Power Contacts



Power Contact Type: **Contact**

Contact Mating Area Plating Material: **Gold**

Wire Size: **.2 – .6 mm<sup>2</sup>**

Connector & Contact Terminates To: **Wire & Cable**

## Features

### Product Type Features

Power Contact Type	Contact
Connector & Contact Terminates To	Wire & Cable

### Electrical Characteristics

Test Current	7.5 A
--------------	-------

### Contact Features

Contact Mating Area Plating Material	Gold
Contact Current Rating (Max)	7.5 A
Contact Type	Socket
Contact Retention Within Housing	With
Mating Pin Diameter	1.58 mm[.062 in]
Contact Base Material	Brass
Contact Mating Area Plating Material Thickness	.76 – 1 µm[30 – 40 µin]
Wire Contact Termination Area Plating Thickness	1 – 2 µm[40 – 78 µin]
Wire Contact Termination Area Plating Material	Tin
Contact Orientation	Straight
Contact Underplating Material	Nickel
Contact Underplating Material Thickness	.8 – 1.5 µm[31.49 – 60 µin]
Barrel Type	Open Barrel
Contact Size	16



### Termination Features

Termination Method to Wire & Cable	Crimp
------------------------------------	-------

### Mechanical Attachment

Wire Insulation Support	With
-------------------------	------

### Dimensions

Wire Size	.2 – .6 mm <sup>2</sup>
Accepts Wire Insulation Diameter Range	1.1 – 1.8 mm [.043 – .071 in]
Overall Length	25 mm [.98 in]

### Usage Conditions

Operating Temperature Range	-50 – 150 °C [-58 – 302 °F]
-----------------------------	-----------------------------

### Operation/Application

Circuit Application	Power & Signal
---------------------	----------------

### Packaging Features

Packaging Method	Reel
Packaging Quantity	5000

### Other

Wire/Cable Type	Discrete Wire
Wire Type	Regular Wire

### Product Compliance

[For compliance documentation, visit the product page on TE.com>](#)

EU RoHS Directive 2011/65/EU	Compliant
EU ELV Directive 2000/53/EC	Compliant
China RoHS 2 Directive MIIT Order No 32, 2016	No Restricted Materials Above Threshold
EU REACH Regulation (EC) No. 1907/2006	Current ECHA Candidate List: JAN 2022 (223) Candidate List Declared Against: JAN 2022 (223) Does not contain REACH SVHC
Halogen Content	Low Halogen - Br, Cl, F, I < 900 ppm per homogenous material. Also BFR/CFR/PVC Free
Solder Process Capability	Not applicable for solder process capability

Product Compliance Disclaimer

This information is provided based on reasonable inquiry of our suppliers and represents our current actual knowledge based on the information they provided. This information is subject to change. The part numbers that TE has identified as EU RoHS compliant have a maximum concentration of 0.1% by weight in homogenous materials for lead, hexavalent chromium, mercury, PBB, PBDE, DBP, BBP, DEHP, DIBP, and 0.01% for cadmium, or qualify for an exemption to these limits as defined in the Annexes of Directive 2011/65/EU (RoHS2). Finished electrical and electronic equipment products will be CE marked as required by Directive 2011/65/EU. Components may not be CE marked. Additionally, the part numbers that TE has identified as EU ELV compliant have a maximum concentration of 0.1% by weight in homogenous materials for lead, hexavalent chromium, and mercury, and 0.01% for cadmium, or qualify for an exemption to these limits as defined in the Annexes of Directive 2000/53/EC (ELV). Regarding the REACH Regulation, the information TE provides on SVHC in articles for this part number is based on the latest European Chemicals Agency (ECHA) 'Guidance on requirements for substances in articles' posted at this URL: <https://echa.europa.eu/guidance-documents/guidance-on-reach>

## Compatible Parts



TE Part # 58495-2  
PROCRIMPER DIE ASSY MULTIMATE



TE Part # 91505-1  
CCII TYPE III+ 24-16 ASSY



TE Part # 200893-2  
INSERTION TOOL CONT



TE Part # 58495-1  
PRO CRIMPER ASSY MULTIMATE



TE Part # 539972-1  
EXTRACTION TOOL



TE Part # 305183  
EXTRACT TOOL TYPE 2 20-16



TE Part # 2151016-2  
OCEAN\_2.0\_APPLICATOR-S-062F0900A



TE Part # 2-2151016-1  
OCEAN\_2.0\_APPLICATOR-S-062F0900



TE Part # 2-2151016-2  
OCEAN\_2.0\_APPLICATOR-S-062F0900A



TE Part # 2151016-1  
OCEAN\_2.0\_APPLICATOR-S-062F0900



TE Part # 2384426-2  
SDE F TYPE III+ 0.56-0.12mm2 DIE SET



TE Part # 5-2151016-1  
OCEAN\_2.0\_APPLICATOR-S-062F0900



TE Part # 5-2151016-2  
OCEAN\_2.0\_APPLICATOR-S-062F0900A



TE Part # 7-2151016-7  
OCEAN\_2.0\_SPARE\_PART\_KIT-062F0900



TE Part # 2384426-1  
SDE F TYPE III+ 0.56-0.12mm2 ASSY

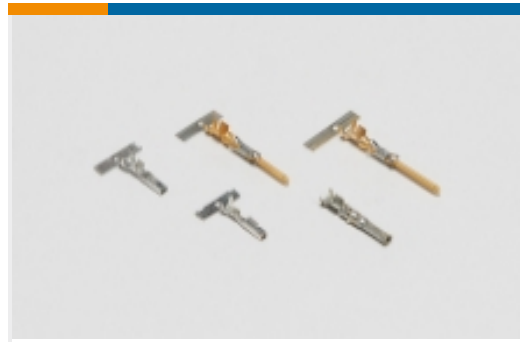


TE Part # 169475-1  
MINI CERTI-LOK III+

## Also in the Series | AMP Type III+



Insertion & Extraction Tools(4)

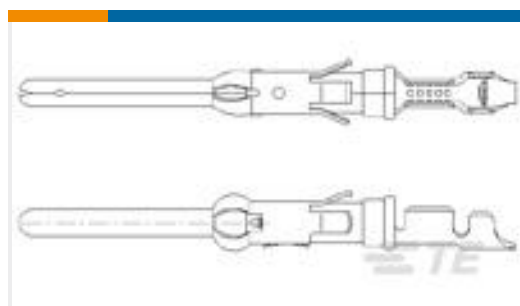


Power Contacts(414)

## Customers Also Bought



TE Part #1318095-2  
DYNAMIC D-3500 REC HSG 6P



TE Part #163085-9  
.062 DIA PIN ASS 3+



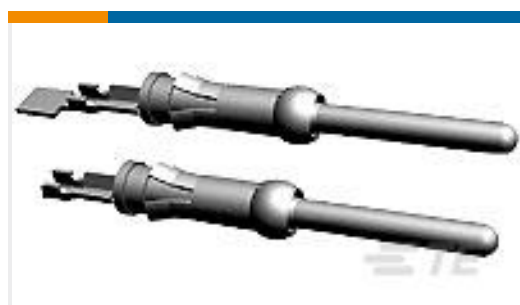
TE Part #166053-1  
COSI PIN CONTACT HD20 DF; 24-20 AWG



TE Part #213866-1  
23-24 RCPT HSG,STD SEX,CPC



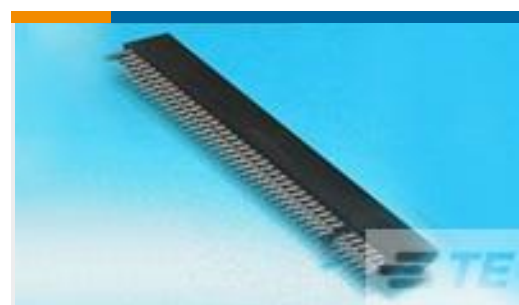
TE Part #207019-1  
METRIMATE PLUG,36 POS



TE Part #1-66359-2  
III+ PIN,18-14,30AU/FL,STRIP



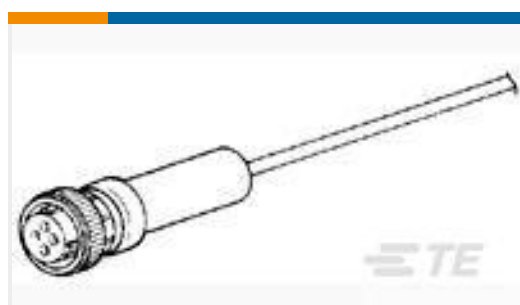
TE Part #1825603-1  
BP1532004=Boot,Pushbutton



TE Part #5176139-1  
CONN SEC II 49 POS 100C/L



TE Part #1-1337426-0  
BNC Str Plg Hex 50Ohm Nickel P



TE Part #206304-1  
SEALING BOOT, CABLE SIZE 11

## Documents

### Product Drawings

SPEC.PLATED

English

### CAD Files

3D PDF

English



### Customer View Model

[ENG\\_CVM\\_1-163087-1\\_AD.2d\\_dxf.zip](#)

English

### Customer View Model

[ENG\\_CVM\\_1-163087-1\\_AD.3d\\_igs.zip](#)

English

### Customer View Model

[ENG\\_CVM\\_1-163087-1\\_AD.3d\\_stp.zip](#)

English

By downloading the CAD file I accept and agree to the [Terms and Conditions](#) of use.

### Product Specifications

[Product Specification](#)

English