



**AMP-LATCH | AMP-LATCH Universal Headers**

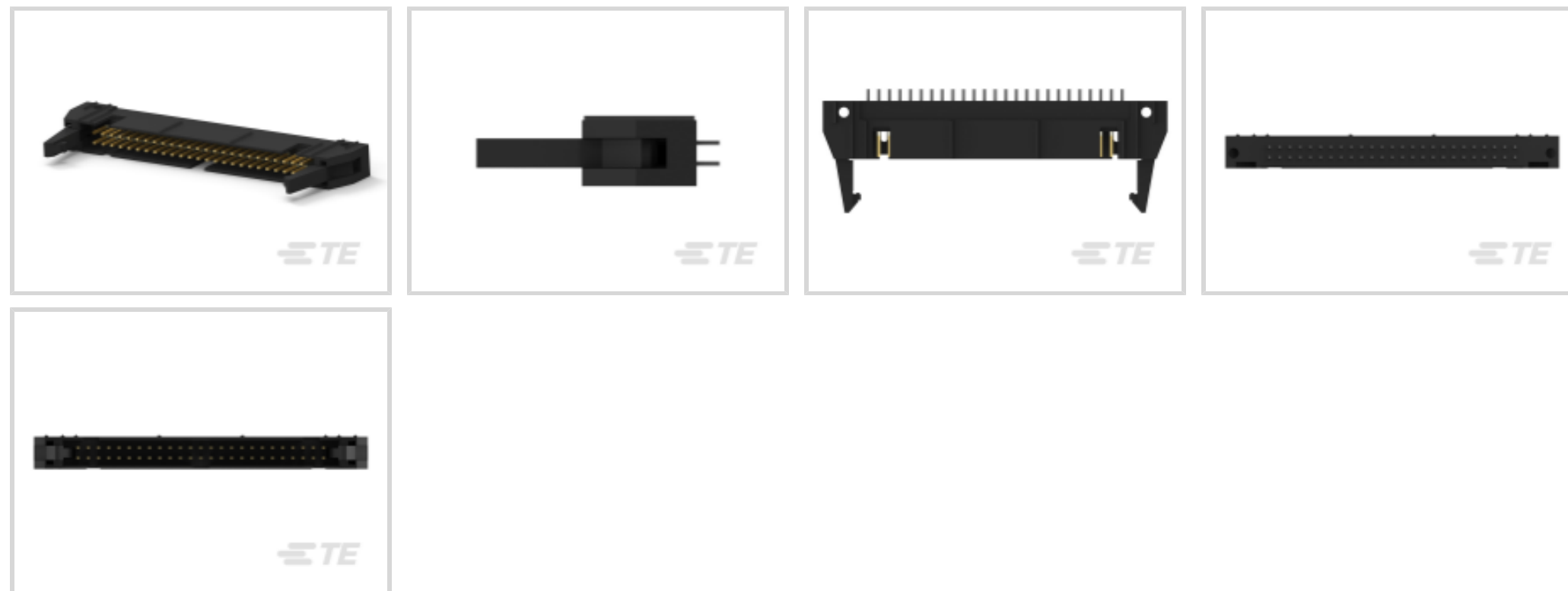
TE Internal #: 1-5499922-0

Ribbon Cable Connectors, Wire-to-Board, 50 Position, .1 in [2.54 mm] Centerline, Vertical, Through Hole - Solder, 2 Row, AMP-LATCH Universal Headers

[View on TE.com >](#)

Connectors > PCB Connectors > Wire-to-Board Connectors > FFC, FPC & Ribbon Connectors > Ribbon Cable Connectors >

AMP-LATCH UNIVERSAL HEADERS



Connector System: **Wire-to-Board**

Number of Positions: **50**

Centerline (Pitch): **2.54 mm [ .1 in ]**

PCB Mount Retention: **Without**

PCB Mount Retention Type: **Mounting Ears**

[All AMP-LATCH UNIVERSAL HEADERS \(525\)](#)

**Features**

**Product Type Features**

Connector Type	Header
Ribbon Cable Connector Header Type	Universal Ejection Pin Headers
Connector Mating Latch & Lock Type	Long
Connector Product Type	Connector Assembly
Connector System	Wire-to-Board
Connector & Housing Type	Plug
Connector & Contact Terminates To	Printed Circuit Board

**Configuration Features**

Number of Positions	50
PCB Mount Orientation	Vertical
Number of Rows	2

**Electrical Characteristics**



Insulation Resistance	5000 MΩ
Operating Voltage	250 VAC

### Body Features

Connector Profile	Standard
-------------------	----------

### Contact Features

Mating Square Post Dimension	.64 mm[.025 in]
PCB Contact Termination Area Plating Material Thickness	2.54 μm[100 μin]
Contact Type	Pin
	15 μin
Contact Mating Area Plating Material	Gold
Contact Shape & Form	Square
PCB Contact Termination Area Plating Material	Tin
Contact Base Material	Brass, Phosphor Bronze
Contact Current Rating (Max)	1 A

### Termination Features

Round Termination Post & Tail Diameter	.64 mm[.025 in]
Termination Post & Tail Length	2.79 mm[.11 in]
Termination Method to Printed Circuit Board	Through Hole - Solder

### Mechanical Attachment

Mating Alignment	With
PCB Mount Alignment	Without
Panel Mount Feature	Without
PCB Mount Retention	Without
PCB Mount Retention Type	Mounting Ears
Mating Alignment Type	Center, Dual Polarizing Bar
Mating Retention	With
Mating Retention Type	Ejection Latch
Connector Mounting Type	Board Mount

### Housing Features

Housing Material	Glass Filled Nylon/Polyester
Housing Color	Black
Centerline (Pitch)	2.54 mm[.1 in]

### Dimensions

Shrouded End Dimension	3.81 mm[.15 in] 3.26 in
Connector Height	13.94 mm[.549 in]
PCB Thickness (Recommended)	1.57 mm[.062 in]
Row-to-Row Spacing	2.54 mm[.1 in]

### Usage Conditions

Housing Temperature Rating	Standard
Operating Temperature Range	-65 – 105 °C[-85 – 221 °F]

### Operation/Application

Circuit Application	Signal
---------------------	--------

### Industry Standards

UL Flammability Rating	UL 94V-0
------------------------	----------

### Packaging Features

Packaging Quantity	18
Packaging Method	Tray

### Product Compliance

[For compliance documentation, visit the product page on TE.com>](#)

EU RoHS Directive 2011/65/EU	Compliant
EU ELV Directive 2000/53/EC	Compliant
China RoHS 2 Directive MIIT Order No 32, 2016	No Restricted Materials Above Threshold
EU REACH Regulation (EC) No. 1907/2006	Current ECHA Candidate List: JAN 2022 (223) Candidate List Declared Against: JAN 2022 (223) Does not contain REACH SVHC
Halogen Content	Not Low Halogen - contains Br or Cl > 900 ppm.
Solder Process Capability	Wave solder capable to 265°C

#### Product Compliance Disclaimer

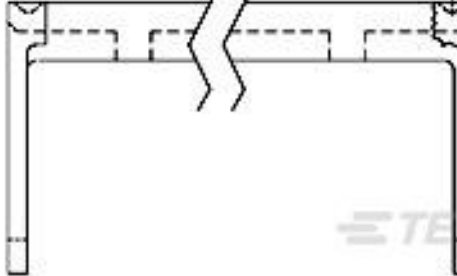
This information is provided based on reasonable inquiry of our suppliers and represents our current actual knowledge based on the information they provided. This information is subject to change. The part numbers that TE has identified as EU RoHS compliant have a maximum concentration of 0.1% by weight in homogenous materials for lead, hexavalent chromium, mercury, PBB, PBDE, DBP, BBP, DEHP, DIBP, and 0.01% for cadmium, or qualify for an exemption to these limits as defined in the Annexes of Directive 2011/65/EU (RoHS2). Finished electrical and electronic equipment products

will be CE marked as required by Directive 2011/65/EU. Components may not be CE marked. Additionally, the part numbers that TE has identified as EU ELV compliant have a maximum concentration of 0.1% by weight in homogenous materials for lead, hexavalent chromium, and mercury, and 0.01% for cadmium, or qualify for an exemption to these limits as defined in the Annexes of Directive 2000/53/EC (ELV). Regarding the REACH Regulation, the information TE provides on SVHC in articles for this part number is based on the latest European Chemicals Agency (ECHA) 'Guidance on requirements for substances in articles' posted at this URL: <https://echa.europa.eu/guidance-documents/guidance-on-reach>

## Compatible Parts



TE Part # 499252-4  
050 STRAIN RELIEF A-L RCPT



TE Part # 8-1437021-1  
609-5031HD=FSKT IDC S 50 SR



TE Part # 1-1658620-0  
50 NOVO MIL 15DP, LEAD FREE



TE Part # 1-1658621-0  
50 NOVO MIL/CTR 15DP, LEAD FREE



TE Part # 2-1658526-3  
609-5030LF FEM SOCKET, LEAD FREE



TE Part # 2-1658526-4  
609-5041LF FEM SOCKET, LEAD FREE



TE Part # 1-1658527-4  
622-5030LF FEM SOCKET, LEAD FREE



TE Part # 1-1658527-5  
622-5041LF FEM SOCKET, LEAD FREE



TE Part # 1658528-8  
636-5041LF FEM SOCKET, LEAD FREE



TE Part # 102320-1  
UNIVERSAL HEADER LATCH



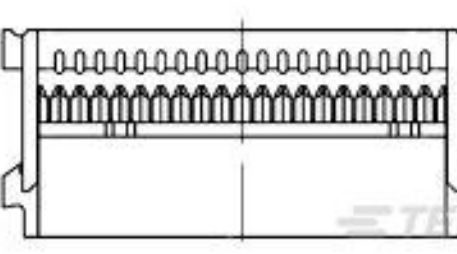
TE Part # 1-1658622-0  
50 NOVO MIL/CTR 30DP, LEAD FREE



TE Part # 1-1658623-0  
50 NOVO MIL 30DP, LEAD FREE




TE Part # 1-1658624-0  
050 NOVO DUAL 30DP FT



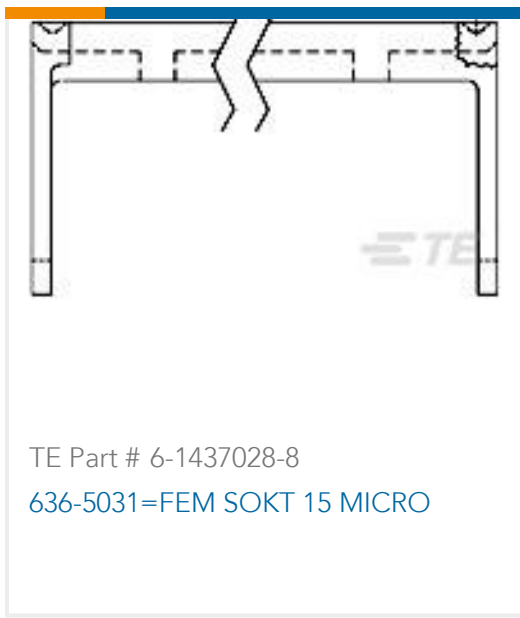
TE Part # 2-1658526-2  
609-5001MLF FEM SCKT, LEAD FREE



TE Part # 2-1658528-0  
636-5030LF=FEM SKT BLADE POL 1



TE Part # 1-1437025-2  
622-5031=FSKT IDC S 50 SR



TE Part # 6-1437028-8  
636-5031=FEM SOKT 15 MICRO

### Also in the Series | AMP-LATCH Universal Headers



Ribbon Cable Connectors(525)



Ribbon Connector Accessories(13)

### Customers Also Bought



TE Part #5-6609107-1  
PSOS0DSX0=C1107



TE Part #1-640457-1  
11P MTA100 HDR ASSY SQ R/A F/L



TE Part #2-2176055-2  
RLP73N 2B R075 1% 1K RL



TE Part #102348-2  
MOD IV RECP LP



TE Part #8-1676481-8  
CPF 0603 36K 0.1% 25PPM 1K RL



TE Part #5-2232516-1  
SCSI .050 REC ASS'Y 50P PB-FREE



TE Part #7-1879256-3  
RP 2B 200R 0.1% 15PPM CUT LENGTH



TE Part #8-1768018-1  
EET-2570P-9



TE Part #SB0870  
GO2327 1Pt100 W0.3 L23/D2.7mm





## Documents

### Product Drawings

[A/L UNIV HDR 50P VERT LG LAT](#)

English

---

### CAD Files

[3D PDF](#)

3D

Customer View Model

[ENG\\_CVM\\_CVM\\_1-5499922-0\\_A.2d\\_dxf.zip](#)

English

Customer View Model

[ENG\\_CVM\\_CVM\\_1-5499922-0\\_A.3d\\_igs.zip](#)

English

Customer View Model

[ENG\\_CVM\\_CVM\\_1-5499922-0\\_A.3d\\_stp.zip](#)

English

By downloading the CAD file I accept and agree to the [Terms and Conditions](#) of use.

---

### Datasheets & Catalog Pages

[Ribbon Cable Interconnect Solutions](#)

English

---

### Product Specifications

[Product Specification](#)

English

---

### Product Environmental Compliance

[MD\\_1-5499922-0\\_040520181248\\_dmtec](#)

English

[MD\\_1-5499922-0\\_040520181248\\_dmtec](#)

English

---