

1-1419158-6 ✓ ACTIVE

AMP | [Get .64 Connector System](#)

TE Internal #: 1-1419158-6

Automotive Terminals, Tab, Mating Tab Width 1 mm [.039 in], Tab

Thickness .025 in [.64 mm], 24 – 22 AWG Wire Size, Get .64

Connector System

[View on TE.com >](#)



Terminals & Splices > Automotive Terminals > GET .64 CONNECTOR SYSTEM, RECEPT AND TAB



Terminal Type: **Tab**

Mating Tab Width: **1 mm [.039 in]**

Mating Tab Thickness: **.64 mm [.025 in]**

Terminal Transmits: **0 – 24 A (Low Power)**

Wire Size: **24 – 22 AWG**

[All GET .64 CONNECTOR SYSTEM, RECEPT AND TAB \(29\)](#)

Features

Product Type Features

Sealable	No
Primary Locking Feature	Clean Body

Contact Features

Contact Size	1mm
Contact Fabrication	Stamped & Formed
Typical Current Rating	9 A
Crimp Type	F-Crimp
Terminal Type	Tab
Mating Tab Width	1 mm[.039 in]
Mating Tab Thickness	.64 mm[.025 in]
Interface Plating	Tin (Sn)
Contact Termination Area Plating Material	Tin (Sn)

Termination Features

Termination Method to Wire & Cable	Crimp
Product Terminates To	Wire

Dimensions

Wire Size	.22 – .35 mm ²
-----------	---------------------------



Wire Size Search	22 AWG, 23 AWG, 24 AWG
Wire Insulation Diameter	1.1 – 1.4 mm [.043 – .065 in]

Usage Conditions

Insulation Option	Uninsulated
Operating Temperature (Max)	80 °C, 85 °C, 90 °C, 100 °C, 105 °C, 110 °C, 120 °C, 125 °C [176 °F][185 °F][194 °F][212 °F][221 °F][230 °F][248 °F][257 °F]
Operating Temperature Range	-40 – 125 °C [-40 – 257 °F]

Operation/Application

Compatible With Wire Base Material	Copper
------------------------------------	--------

Industry Standards

Agency/Standard	SAE/USCAR-2, USCAR-21
-----------------	-----------------------

Packaging Features

Packaging Method	Reel
Packaging Quantity	11000

Other

Terminal Transmits	0 – 24 A (Low Power)
--------------------	----------------------

Product Compliance

[For compliance documentation, visit the product page on TE.com>](#)

EU RoHS Directive 2011/65/EU	Compliant
EU ELV Directive 2000/53/EC	Compliant
China RoHS 2 Directive MIIT Order No 32, 2016	No Restricted Materials Above Threshold
EU REACH Regulation (EC) No. 1907/2006	Current ECHA Candidate List: JAN 2022 (223) Candidate List Declared Against: JAN 2022 (223) Does not contain REACH SVHC
Halogen Content	Low Halogen - Br, Cl, F, I < 900 ppm per homogenous material. Also BFR/CFR/PVC Free
Solder Process Capability	Not applicable for solder process capability

Product Compliance Disclaimer

This information is provided based on reasonable inquiry of our suppliers and represents our current actual knowledge based on the information they provided. This information is subject to change. The part numbers that TE has identified as

EU RoHS compliant have a maximum concentration of 0.1% by weight in homogenous materials for lead, hexavalent chromium, mercury, PBB, PBDE, DBP, BBP, DEHP, DIBP, and 0.01% for cadmium, or qualify for an exemption to these limits as defined in the Annexes of Directive 2011/65/EU (RoHS2). Finished electrical and electronic equipment products will be CE marked as required by Directive 2011/65/EU. Components may not be CE marked. Additionally, the part numbers that TE has identified as EU ELV compliant have a maximum concentration of 0.1% by weight in homogenous materials for lead, hexavalent chromium, and mercury, and 0.01% for cadmium, or qualify for an exemption to these limits as defined in the Annexes of Directive 2000/53/EC (ELV). Regarding the REACH Regulation, the information TE provides on SVHC in articles for this part number is based on the latest European Chemicals Agency (ECHA) 'Guidance on requirements for substances in articles' posted at this URL: <https://echa.europa.eu/guidance-documents/guidance-on-reach>

Compatible Parts



TE Part # CAT-G3353-CH8172
GET .64 CONNECTOR SYSTEM,
CONNECTOR HSG



TE Part # 1393367-1
V23540X7000Y 11=GET-FEM TERM S



TE Part # 2382775-2
SDE F GET PIN/SCKT 0.35-0.22mm²
DIE SET



TE Part # 2382775-1
SDE F GET PIN / SOCKET 0.35-0.22
mm² ASSY



TE Part # 1456570-6
SUB-ASSY,PLUG,2.8/6.3,38 WAY,ABS



TE Part # 1-1456570-4
SUB-ASSY,PLUG,2.8/6.3,38 WAY,ABS



TE Part # 1-1456570-6
SUB-ASSY,PLUG,2.8/6.3,38 WAY,ABS



TE Part # 1456570-8
SUB-ASSY,PLUG,2.8/6.3,38 WAY,ABS



TE Part # 2-1456570-3
SUB-ASSY,PLUG,2.8/6.3,38 WAY,ABS



TE Part # 2-1456570-4
SUB-ASSY,PLUG,2.8/6.3,38 WAY,ABS

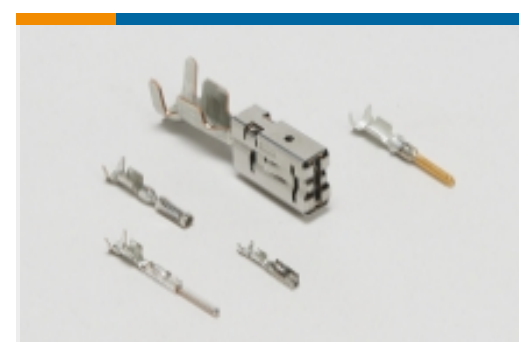
Also in the Series | Get .64 Connector System



Automotive Connector Caps & Covers
(7)



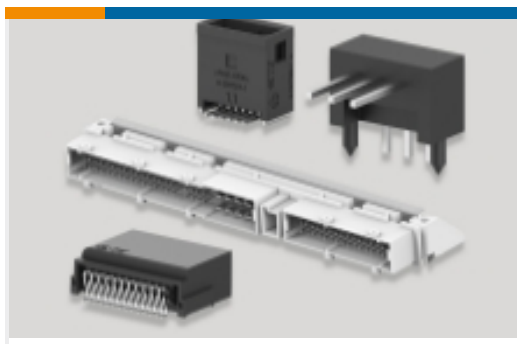
Automotive Housings(108)



Automotive Terminals(30)

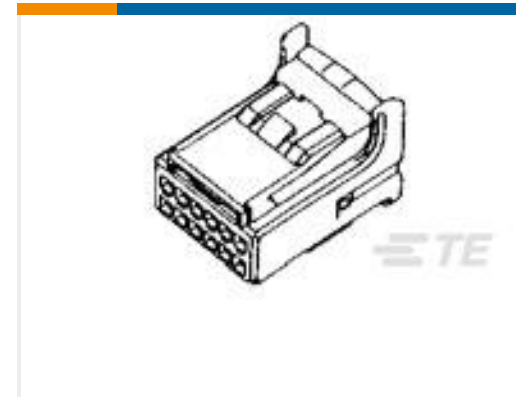
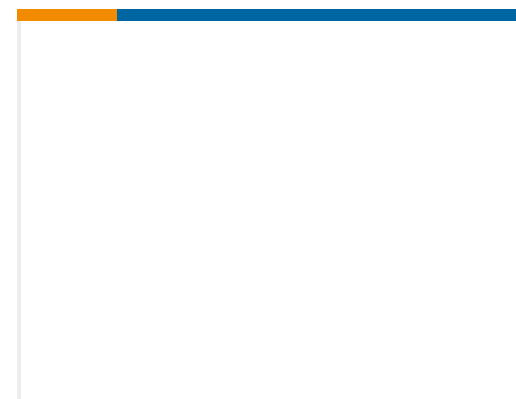


Insertion & Extraction Tools(1)



PCB Headers & Receptacles(1)

Customers Also Bought

TE Part #953697-2
MQS, CONNECTOR HOUSINGTE Part #6-1419167-1
2X8 MALE INLINE ASSY KEY ATE Part #61436-2
RING 22-16 AWG TPBRTE Part #1376675-1
025 PLUG HSG ASSY S/BODY 12PTE Part #1534841-1
COVER FOR 12POS, MQSTE Part #2298116-1
MATE-AX, Socket outer contact, RTK 031TE Part #2298126-1
MATE-AX, Crimp Ferrule, RTK 031TE Part #2348406-1
MATE-AX CABLE ASSY

Documents

Product Drawings

[GET MALE TERM, A, SN, REREEL](#)

English

CAD Files

Customer View Model

[ENG_CVM_CVM_1-1419158-6_K.2d_dxf.zip](#)

English

3D PDF

3D

Customer View Model

[ENG_CVM_CVM_1-1419158-6_K.3d_igs.zip](#)

English

Customer View Model

[ENG_CVM_CVM_1-1419158-6_K.3d_stp.zip](#)

English

By downloading the CAD file I accept and agree to the [Terms and Conditions](#) of use.



Datasheets & Catalog Pages

[GET 0.64 Interconnection System](#)

English

Product Specifications

[Application Specification](#)

English

Product Environmental Compliance

[MD_1-1419158-6_062720131147_dmtec](#)

English

[MD_1-1419158-6_062720131147_dmtec](#)

English

Instruction Sheets

[Instruction Sheet \(U.S.\)](#)

English