

1-5353190-0 ✓ ACTIVE



Free Height

TE Internal #: 1-5353190-0

PCB Mount Receptacle, Vertical, Board-to-Board, 140 Position, .024 in [.6 mm] Centerline, Gold, Surface Mount, Signal, Black, Free Height

[View on TE.com >](#)

Connectors > PCB Connectors > PCB Headers & Receptacles



PCB Connector Assembly Type: **PCB Mount Receptacle**

PCB Mount Orientation: **Vertical**

Connector System: **Board-to-Board**

Number of Positions: **140**

Centerline (Pitch): **.6 mm [.024 in]**

Features

Product Type Features

Ground Component Type	Grounding Contact
PCB Connector Assembly Type	PCB Mount Receptacle
Connector System	Board-to-Board
Connector & Contact Terminates To	Printed Circuit Board

Configuration Features

Stackable	Yes
PCB Mount Orientation	Vertical
Number of Positions	140
Board-to-Board Configuration	Parallel

Electrical Characteristics

Dielectric Withstanding Voltage (Max)	200 VAC
Insulation Resistance	2 MΩ
Operating Voltage	50 VAC

Body Features



Primary Product Color	Black
-----------------------	-------

Contact Features

Contact Layout	Inline
----------------	--------

Contact Mating Area Length	1 mm, 1.3 mm
----------------------------	--------------

PCB Contact Termination Area Plating Material Thickness	.05 μm , 1 μm [1.9685 μin][39.37 μin]
---	---

PCB Contact Termination Area Plating Material	Gold, Tin
---	-----------

Contact Base Material	Copper Alloy
-----------------------	--------------

Contact Mating Area Plating Material	Gold
--------------------------------------	------

Contact Mating Area Plating Material Thickness	.2 μm [7.874 μin]
--	--

Contact Type	Socket
--------------	--------

Contact Current Rating (Max)	.5 A
------------------------------	------

Termination Features

Rectangular Termination Post & Tail Thickness	.15 mm[.006 in]
---	-----------------

Rectangular Termination Post & Tail Width	.9 mm[.035 in]
---	----------------

Termination Method to Printed Circuit Board	Surface Mount
---	---------------

Mechanical Attachment

PCB Mount Alignment Type	Locating Posts
--------------------------	----------------

PCB Mount Retention Type	Solder Peg
--------------------------	------------

Mating Alignment	With
------------------	------

Mating Alignment Type	Polarization
-----------------------	--------------

PCB Mount Retention	With
---------------------	------

PCB Mount Alignment	With
---------------------	------

Connector Mounting Type	Board Mount
-------------------------	-------------

Housing Features

Centerline (Pitch)	.6 mm[.024 in]
--------------------	----------------

Housing Material	High Temperature Thermoplastic
------------------	--------------------------------

Dimensions

Connector Height	4 mm[.157 in]
------------------	---------------

Stack Height	4 mm, 6 mm, 7 mm, 8 mm, 12 mm[.472 in]
--------------	--

	.2 in
--	-------

Usage Conditions

Operating Temperature Range	-40 – 85 °C[-40 – 185 °F]
-----------------------------	---------------------------



Operation/Application

Circuit Application	Signal
---------------------	--------

Industry Standards

UL Flammability Rating	UL 94V-0
------------------------	----------

Packaging Features

Packaging Quantity	1000
Packaging Type	Reel

Product Compliance

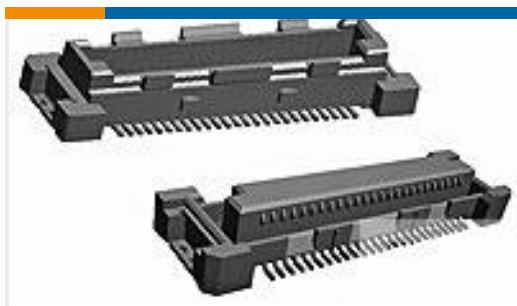
[For compliance documentation, visit the product page on TE.com>](#)

EU RoHS Directive 2011/65/EU	Compliant
EU ELV Directive 2000/53/EC	Compliant
China RoHS 2 Directive MIIT Order No 32, 2016	No Restricted Materials Above Threshold
EU REACH Regulation (EC) No. 1907/2006	Current ECHA Candidate List: JAN 2022 (223) Candidate List Declared Against: JAN 2022 (223) Does not contain REACH SVHC
Halogen Content	Low Halogen - Br, Cl, F, I < 900 ppm per homogenous material. Also BFR/CFR/PVC Free
Solder Process Capability	Reflow solder capable to 245°C

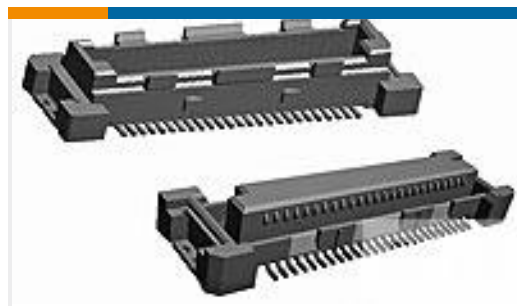
Product Compliance Disclaimer

This information is provided based on reasonable inquiry of our suppliers and represents our current actual knowledge based on the information they provided. This information is subject to change. The part numbers that TE has identified as EU RoHS compliant have a maximum concentration of 0.1% by weight in homogenous materials for lead, hexavalent chromium, mercury, PBB, PBDE, DBP, BBP, DEHP, DIBP, and 0.01% for cadmium, or qualify for an exemption to these limits as defined in the Annexes of Directive 2011/65/EU (RoHS2). Finished electrical and electronic equipment products will be CE marked as required by Directive 2011/65/EU. Components may not be CE marked. Additionally, the part numbers that TE has identified as EU ELV compliant have a maximum concentration of 0.1% by weight in homogenous materials for lead, hexavalent chromium, and mercury, and 0.01% for cadmium, or qualify for an exemption to these limits as defined in the Annexes of Directive 2000/53/EC (ELV). Regarding the REACH Regulation, the information TE provides on SVHC in articles for this part number is based on the latest European Chemicals Agency (ECHA) 'Guidance on requirements for substances in articles' posted at this URL: <https://echa.europa.eu/guidance-documents/guidance-on-reach>

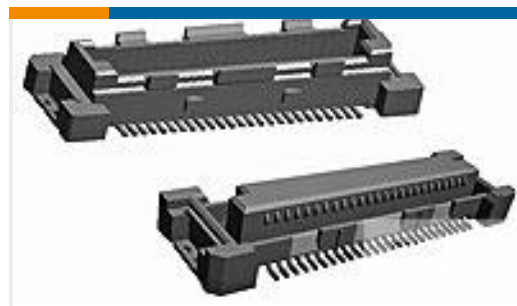
Compatible Parts



TE Part # 1-5316135-0
.6FHP04H,140,S,STD,08/Sn,ST,NSYes



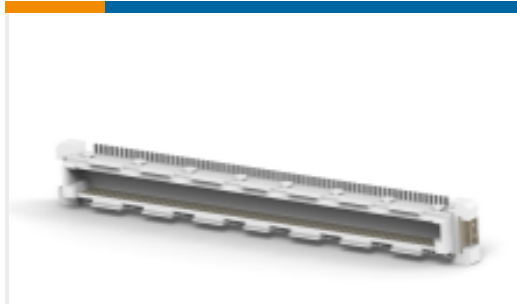
TE Part # 1-5353185-0
.6FHP06H,140,S,STD,08/Sn,TR,NSYes



TE Part # 1-5353187-0
.6FHP08H,140,S,STD,08/Sn,TR,NSYes



TE Part # 1-5353188-0
.6FHP08H,140,S,GIG,08/Sn,TR,NSYes



TE Part # 1-5353183-0
.6FHP04H,140,S,STD,08/Sn,TR,NSYes



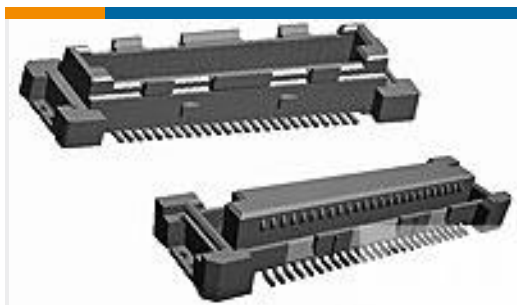
TE Part # 1-5316316-0
.6FHP08H,140,S,GIG,08/Sn,HT,SEYes



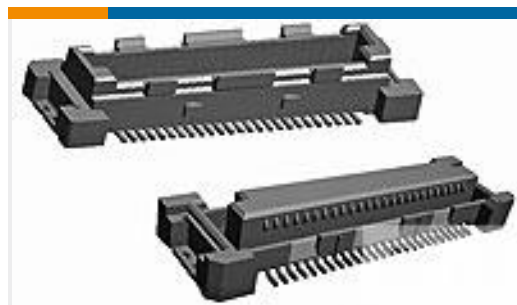
TE Part # 1-5316559-0
.6FHP04H,140,S,GIG,08/Sn,HT,SEYes



TE Part # 1-5316562-0
.6FHP08H,140,S,GIG,08/Sn,ST,NSYes



TE Part # 1-5353184-0
.6FHP04H,140,S,GIG,08/Sn,TR,NSYes



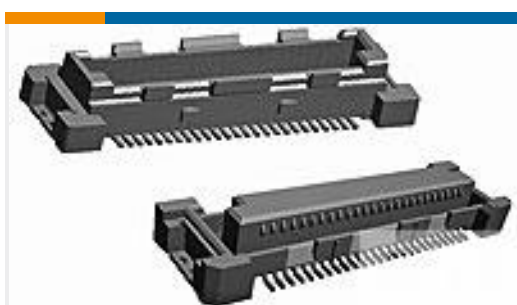
TE Part # 1-5353186-0
.6FHP06H,140,S,GIG,08/Sn,TR,NSYes



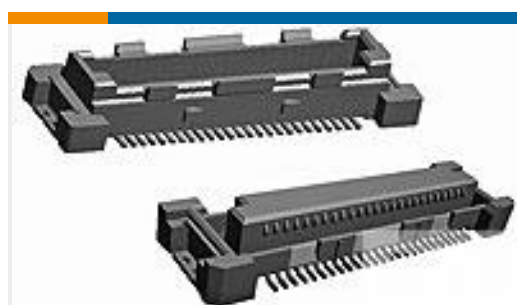
TE Part # 1-5353831-0
.6FHP07H,140,S,GIG,08/Sn,TR,NS



TE Part # 1-6123582-0
.6FHP10H,140,S,GIG,08/Sn,ST,NSYes



TE Part # 4-5353184-0
.6FHP04H,140,S,GIG,30/Sn,TR,NSYes



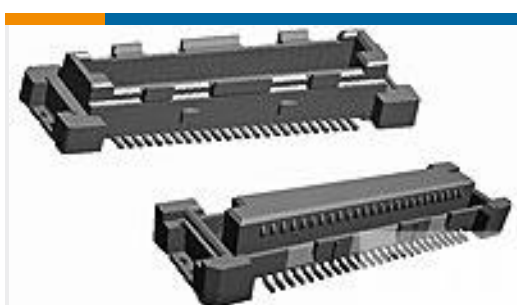
TE Part # 6-5316316-0
.6FHP08H,140,S,GIG,08/Sn,H/T



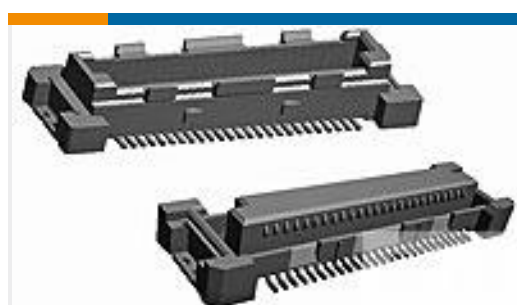
TE Part # 6-5316562-0
.6FHP08H,140,S,GIG,08/Sn,ST,SEYes



TE Part # 6-5353184-0
.6FHP04H,140,S,GIG,08/Sn,TR,SEYes

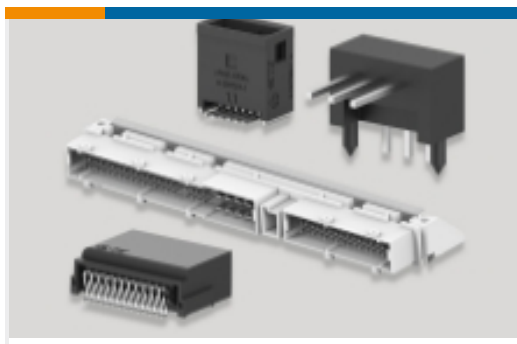


TE Part # 6-5353188-0
.6FHP08H,140,S,GIG,08/Sn,TR,SEYes



TE Part # 6473225-1
.6FHP12H,140,S,GIG,08/Sn,ST,NSYes

Also in the Series | Free Height



PCB Headers & Receptacles(760)

Customers Also Bought

TE Part #2170129-1
Recpt RJ.5 W/O MAG, 1X2 OFFSETTE Part #1734260-3
1.25 WTB HDR SMT, 3 POSTE Part #6469169-1
HMZD 2PR RA HDR 40PTE Part #2-111623-5
44, 2MM, POL,30 DP, LEAD FREETE Part #103309-7
034 LOPRO HDR SP 30DPTE Part #1734100-7
Champ050 series,68pos,Au over PdNiTE Part #1909782-4
BOARD TO WIRE WAFER 1.2MM TOP ENTRYTE Part #5-2337992-8
RJ45 JACK MAG. POE 1GB LED 1X1 ENTRY

Documents

Product Drawings

.6FHR04H,140,S,GIG,08/Sn,TR,NSYes

English

CAD Files

3D PDF

3D

Customer View Model

[ENG_CVM_CVM_1-5353190-0_D.2d_dxf.zip](#)

English

Customer View Model

[ENG_CVM_CVM_1-5353190-0_D.3d_igs.zip](#)

English

Customer View Model

[ENG_CVM_CVM_1-5353190-0_D.3d_stp.zip](#)

English

By downloading the CAD file I accept and agree to the [Terms and Conditions](#) of use.



Datasheets & Catalog Pages

[Fine Pitch Stacking Connectors - 0.6mm Free Height \(FH\) and GIGA Connectors](#)

English

[Stacking Connectors Quick Reference Guide \(English\)](#)

English

Product Specifications

[Application Specification](#)

English

Product Environmental Compliance

[MD_1-5353190-0_061220181151_dmtec](#)

English

[MD_1-5353190-0_061220181151_dmtec](#)

English