



Terminals & Splices > Terminal Housings, Insulation Sleeves & Blocks > Crimp Terminal Housings



Terminal Type: **Receptacle**

Housing Type: **Receptacle**

Number of Positions: **1**

Terminal Orientation: **Straight**

UL Flammability Rating: **UL 94V-2**

### Features

#### Product Type Features

Product Type	Terminal Housing
Style Code	D
Sealable	No
Housing Type	Receptacle
Insulated	No

#### Configuration Features

Number of Positions	1
---------------------	---

#### Body Features

Primary Product Color	Natural
-----------------------	---------

#### Contact Features

Terminal Type	Receptacle
Terminal Orientation	Straight
Contact Mating Retention	Without

#### Mechanical Attachment



Mating Alignment	With
Crimp Terminal Housing Mounting Style	Cable Mount (Free-Hanging)

### Housing Features

Housing Material	Nylon
------------------	-------

### Dimensions

Length	19.69 mm[.775 in]
--------	-------------------

### Usage Conditions

Operating Temperature Range	-40 – 105 °C[-40 – 221 °F]
-----------------------------	----------------------------

### Industry Standards

UL Flammability Rating	UL 94V-2
------------------------	----------

### Packaging Features

Packaging Quantity	1
Packaging Method	Carton

## Product Compliance

[For compliance documentation, visit the product page on TE.com>](#)

EU RoHS Directive 2011/65/EU	Compliant
EU ELV Directive 2000/53/EC	Compliant
China RoHS 2 Directive MIIT Order No 32, 2016	No Restricted Materials Above Threshold
EU REACH Regulation (EC) No. 1907/2006	Current ECHA Candidate List: JAN 2022 (223) Candidate List Declared Against: JAN 2022 (223) Does not contain REACH SVHC
Halogen Content	Low Halogen - Br, Cl, F, I < 900 ppm per homogenous material. Also BFR/CFR/PVC Free
Solder Process Capability	Not applicable for solder process capability

#### Product Compliance Disclaimer

This information is provided based on reasonable inquiry of our suppliers and represents our current actual knowledge based on the information they provided. This information is subject to change. The part numbers that TE has identified as EU RoHS compliant have a maximum concentration of 0.1% by weight in homogenous materials for lead, hexavalent chromium, mercury, PBB, PBDE, DBP, BBP, DEHP, DIBP, and 0.01% for cadmium, or qualify for an exemption to these limits as defined in the Annexes of Directive 2011/65/EU (RoHS2). Finished electrical and electronic equipment products will be CE marked as required by Directive 2011/65/EU. Components may not be CE marked. Additionally, the part numbers that TE has identified as EU ELV compliant have a maximum concentration of 0.1% by weight in homogenous materials for lead, hexavalent chromium, and mercury, and 0.01% for cadmium, or qualify for an exemption to these limits as defined in the Annexes of Directive 2000/53/EC (ELV). Regarding the REACH Regulation, the information TE provides on SVHC in articles for this part number is based on the latest European Chemicals Agency (ECHA) 'Guidance on

requirements for substances in articles' posted at this URL: <https://echa.europa.eu/guidance-documents/guidance-on-reach>

## Compatible Parts



TE Part # 926410-1  
110 FASTON HSG. REC. 1P CLEAR



TE Part # 360041-1  
187 FASTON HSG.,TAB,1 POS, NATRUAL

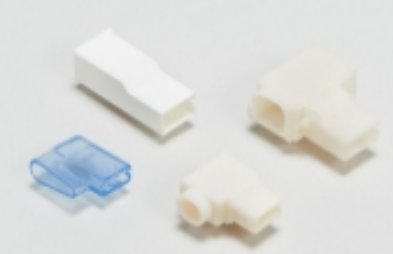


TE Part # 42198-1  
205 FASTON REC 22-18 AWG BR




TE Part # 2-480416-4  
250 FASTON HSG.,REC.,1 POS, NATRUAL

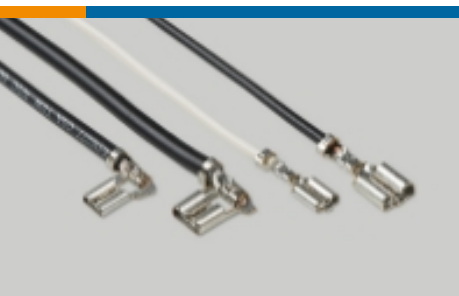
## Also in the Series | FASTON 205



Crimp Terminal Housings(3)



PCB Terminals(9)

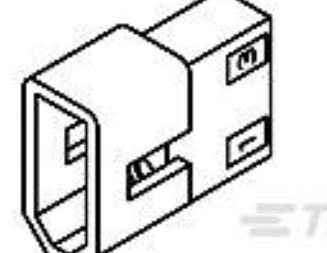


Quick Disconnects(36)

## Customers Also Bought



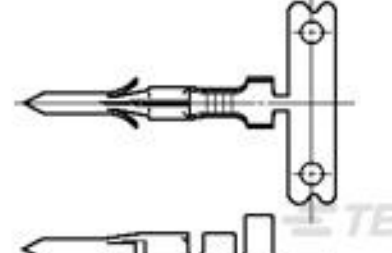
TE Part #770278-1  
01P .062 COMM P&S PLUG



TE Part #770340-1  
02P .062 COMM P&S PLUG



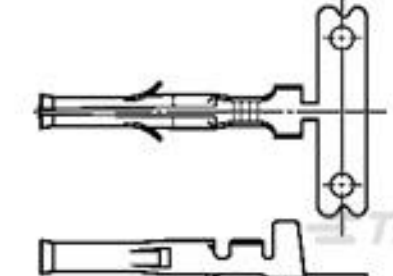
TE Part #63539-2  
250 FASTON REC 14-10 AWG BR



TE Part #350629-1  
.062 COMM P&S PIN 18-24 PTPBR



TE Part #794714-1  
06P UMNL CAP HSG NATL,PAN MNT



TE Part #350628-1  
.062 COMM P&S SOK 18-24 PTPBR



TE Part #480416-1  
250 FASTON HSG. REC 1P NATURAL



TE Part #NB14484001  
VERSAFIT-3/8-0-FSP-SM



## Documents

### Product Drawings

205 FASTON HSG.,REC.,1 POS,NATRUAL

English

### CAD Files

3D PDF

3D

Customer View Model

[ENG\\_CVM\\_CVM\\_1-480418-0\\_Z.2d\\_dxf.zip](#)

English

Customer View Model

[ENG\\_CVM\\_CVM\\_1-480418-0\\_Z.3d\\_igs.zip](#)

English

Customer View Model

[ENG\\_CVM\\_CVM\\_1-480418-0\\_Z.3d\\_stp.zip](#)

English

By downloading the CAD file I accept and agree to the [Terms and Conditions](#) of use.

### Datasheets & Catalog Pages

FASTON Housings

English

### Product Environmental Compliance

[MD\\_1-480418-0\\_060620181416\\_dmtec](#)

English

[MD\\_1-480418-0\\_060620181416\\_dmtec](#)

English

### Agency Approvals

UL Report

English