

1-480672-0 ✓ ACTIVE

MATE-N-LOK | Commercial MATE-N-LOK

TE Internal #: 1-480672-0

Rectangular Power Connectors, Housing, Plug, Wire-to-Panel /
Wire-to-Wire, 9 Position, .24 in [6.1 mm] Centerline, Wire & Cable,
Commercial MATE-N-LOK

[View on TE.com >](#)



Connectors > Power Connectors > Rectangular Power > Rectangular Power Connectors



Rectangular Power Connector Type: **Housing**

Connector & Housing Type: **Plug**

Connector System: **Wire-to-Panel, Wire-to-Wire**

Number of Positions: **9**

Centerline (Pitch): **6.1 mm [.24 in]**

Features

Product Type Features

| | |
|-----------------------------------|-----------------------------|
| Rectangular Power Connector Type | Housing |
| Connector & Housing Type | Plug |
| Connector System | Wire-to-Panel, Wire-to-Wire |
| Sealable | No |
| Connector & Contact Terminates To | Wire & Cable |

Configuration Features

| | |
|---------------------|---|
| Number of Positions | 9 |
| Number of Rows | 3 |

Electrical Characteristics

| | |
|-------------------|---------|
| Operating Voltage | 250 VAC |
|-------------------|---------|

Contact Features

| | |
|----------------------------------|---------|
| Contact Layout | Matrix |
| Contact Retention Within Housing | Without |
| Contact Type | Socket |



Termination Features

| | |
|------------------------------------|-------|
| Termination Method to Wire & Cable | Crimp |
|------------------------------------|-------|

Mechanical Attachment

| | |
|-------------------------|-------------|
| Connector Mounting Type | Panel Mount |
|-------------------------|-------------|

Housing Features

| | |
|--------------------|-----------------|
| Centerline (Pitch) | 6.1 mm [.24 in] |
|--------------------|-----------------|

| | |
|---------------|---------|
| Housing Color | Natural |
|---------------|---------|

| | |
|------------------|-------|
| Housing Material | Nylon |
|------------------|-------|

Dimensions

| | |
|--------------------|-----------------|
| Row-to-Row Spacing | 6.1 mm [.24 in] |
|--------------------|-----------------|

| | |
|-------|----------|
| Width | 19.18 mm |
|-------|----------|

| | |
|--------|----------|
| Length | 24.13 mm |
|--------|----------|

Usage Conditions

| | |
|-----------------------------|-----------------------------|
| Operating Temperature Range | -55 – 105 °C [-67 – 221 °F] |
|-----------------------------|-----------------------------|

Operation/Application

| | |
|---------------------|----------------|
| Circuit Application | Power & Signal |
|---------------------|----------------|

Industry Standards

| | |
|------------------------|----------|
| UL Flammability Rating | UL 94V-2 |
|------------------------|----------|

| | |
|------------------|-------------------------------|
| Glow Wire Rating | Standard Part - Not Glow Wire |
|------------------|-------------------------------|

Packaging Features

| | |
|------------------|---------|
| Packaging Method | Package |
|------------------|---------|

| | |
|--------------------|---|
| Packaging Quantity | 1 |
|--------------------|---|

Product Compliance

[For compliance documentation, visit the product page on TE.com>](#)

| | |
|------------------------------|-----------|
| EU RoHS Directive 2011/65/EU | Compliant |
|------------------------------|-----------|

| | |
|-----------------------------|-----------|
| EU ELV Directive 2000/53/EC | Compliant |
|-----------------------------|-----------|

| | |
|---|---|
| China RoHS 2 Directive MIIT Order No 32, 2016 | No Restricted Materials Above Threshold |
|---|---|

| | |
|--|---|
| EU REACH Regulation (EC) No. 1907/2006 | Current ECHA Candidate List: JAN 2022 (223) Candidate List Declared Against: JAN 2022 (223) Does not contain REACH SVHC |
|--|---|

Halogen Content

Low Halogen - Br, Cl, F, I < 900 ppm per homogenous material. Also BFR/CFR/PVC Free

Solder Process Capability

Not applicable for solder process capability

Product Compliance Disclaimer

This information is provided based on reasonable inquiry of our suppliers and represents our current actual knowledge based on the information they provided. This information is subject to change. The part numbers that TE has identified as EU RoHS compliant have a maximum concentration of 0.1% by weight in homogenous materials for lead, hexavalent chromium, mercury, PBB, PBDE, DBP, BBP, DEHP, DIBP, and 0.01% for cadmium, or qualify for an exemption to these limits as defined in the Annexes of Directive 2011/65/EU (RoHS2). Finished electrical and electronic equipment products will be CE marked as required by Directive 2011/65/EU. Components may not be CE marked. Additionally, the part numbers that TE has identified as EU ELV compliant have a maximum concentration of 0.1% by weight in homogenous materials for lead, hexavalent chromium, and mercury, and 0.01% for cadmium, or qualify for an exemption to these limits as defined in the Annexes of Directive 2000/53/EC (ELV). Regarding the REACH Regulation, the information TE provides on SVHC in articles for this part number is based on the latest European Chemicals Agency (ECHA) 'Guidance on requirements for substances in articles' posted at this URL: <https://echa.europa.eu/guidance-documents/guidance-on-reach>

Compatible Parts



TE Part # 925663-1
.140 DIA SOCKET



TE Part # 925661-2
.140 DIA SOCKET



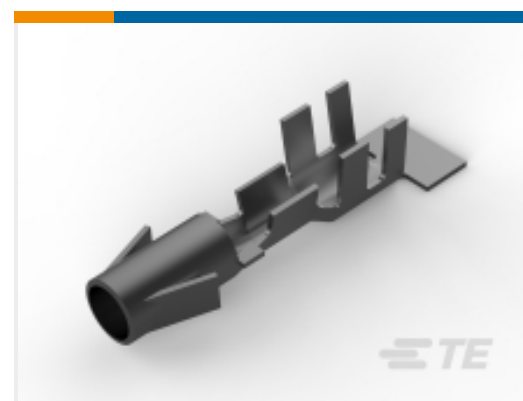
TE Part # 350390-1
.140 DIA SOK 14-10 PTPBR L/P



TE Part # 1-480673-0
09P .140 MNL CAP PM NAT



TE Part # 925712-2
.140 DIA SOCKET



TE Part # 925714-2
MATENLOK SOCKET.140



TE Part # 350200-2
.140 DIA SOK 14-10 PTPPHBZ



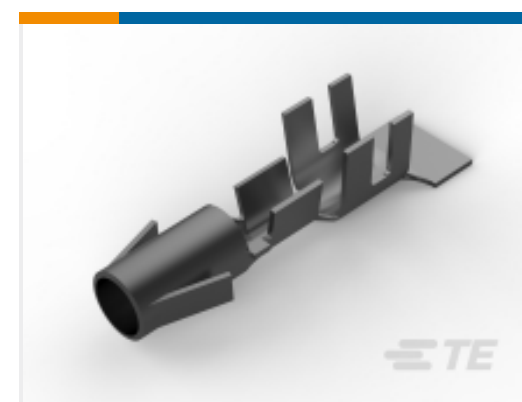
TE Part # 350200-1
.140 DIA SOK 14-10 PTPBR



TE Part # 880687-2
.140 DIA SOCKET



TE Part # 61626-2
.140 DIA SOK 20-14 PTPPHBZ



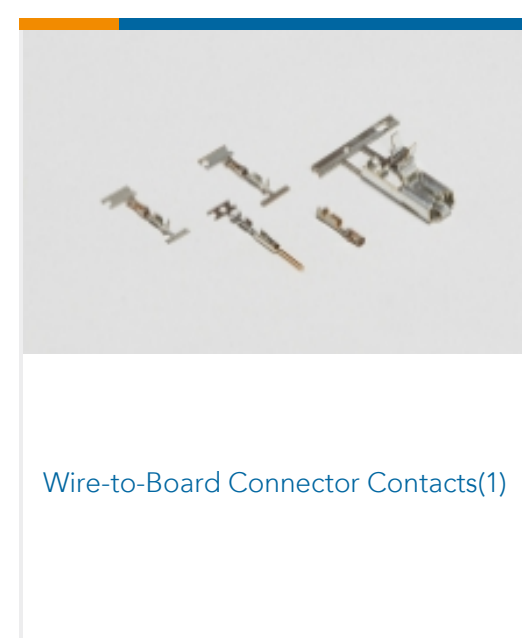
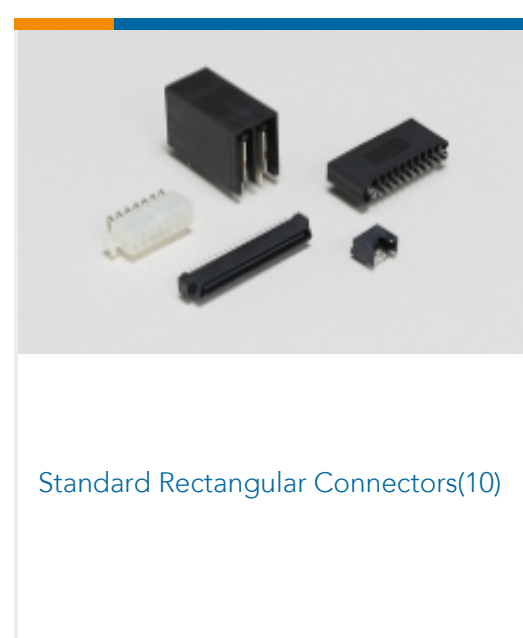
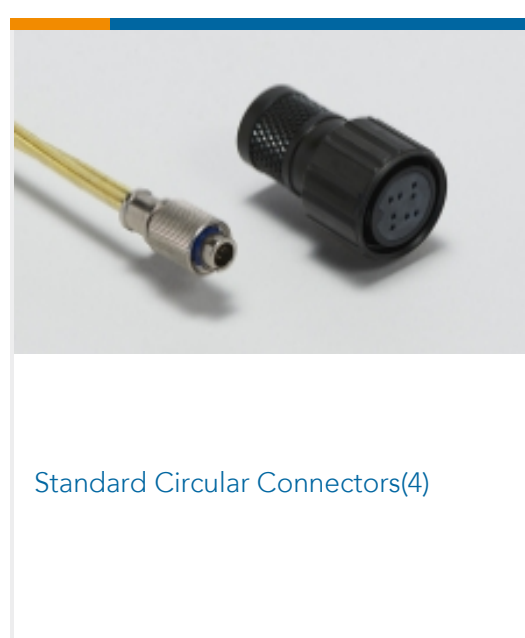
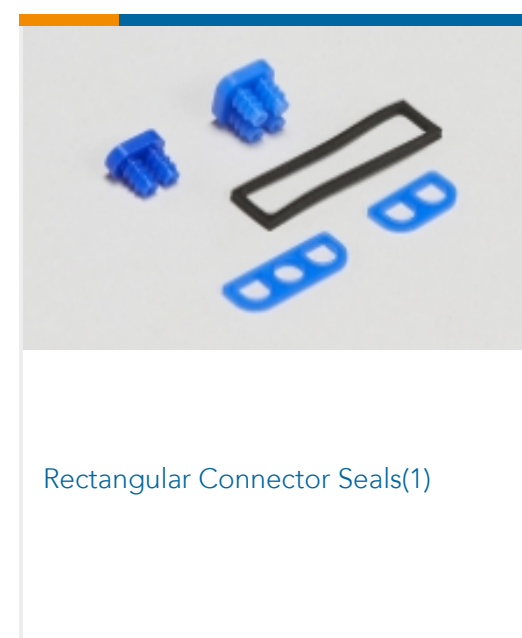
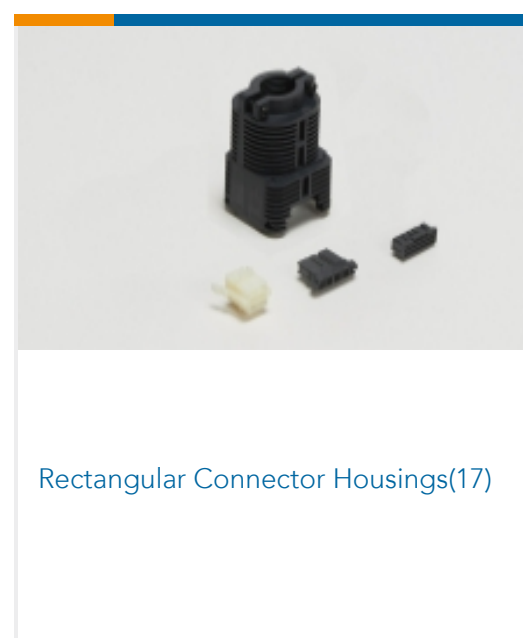
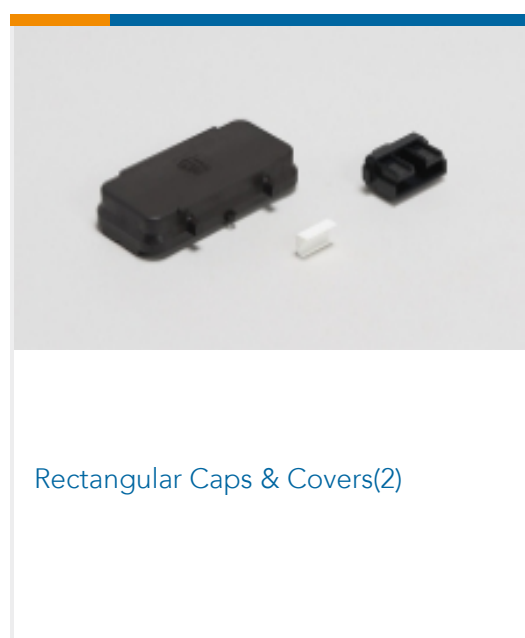
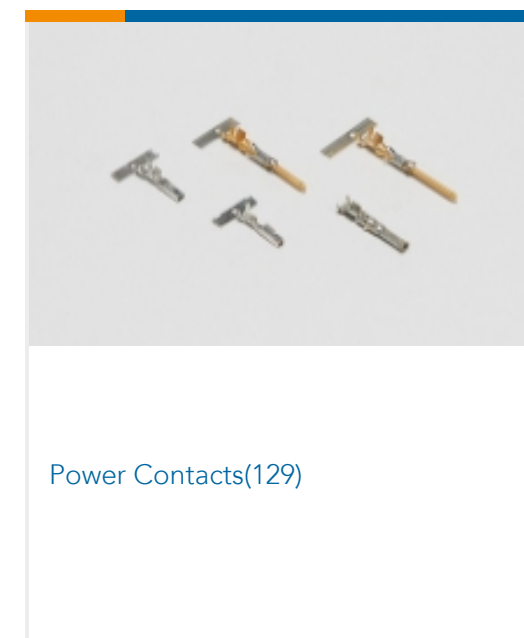
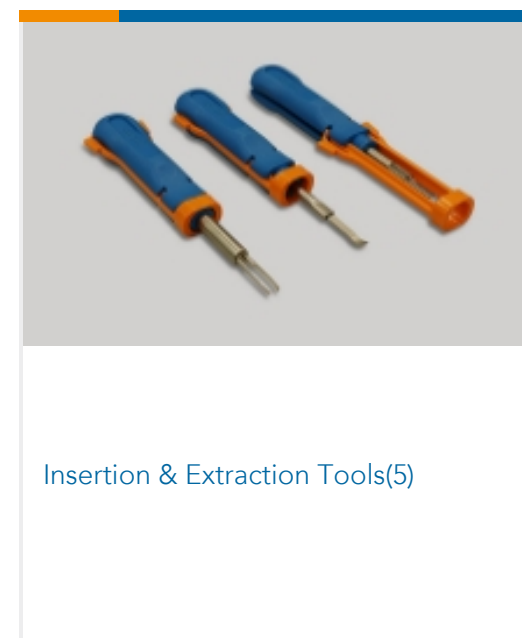
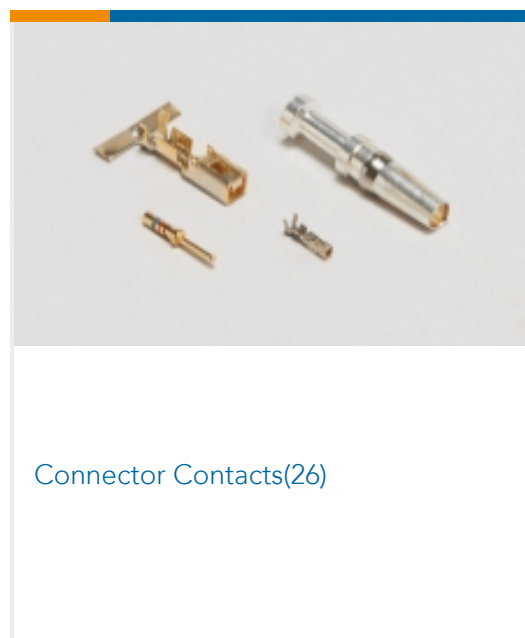
TE Part # 61626-1
.140 DIA SOK 20-14 PTPBR



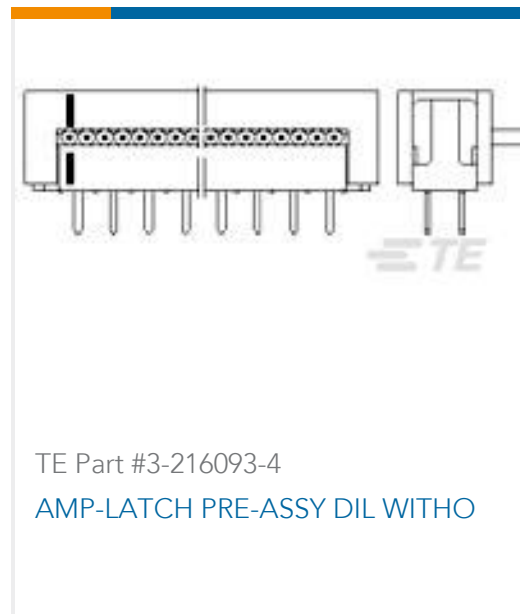
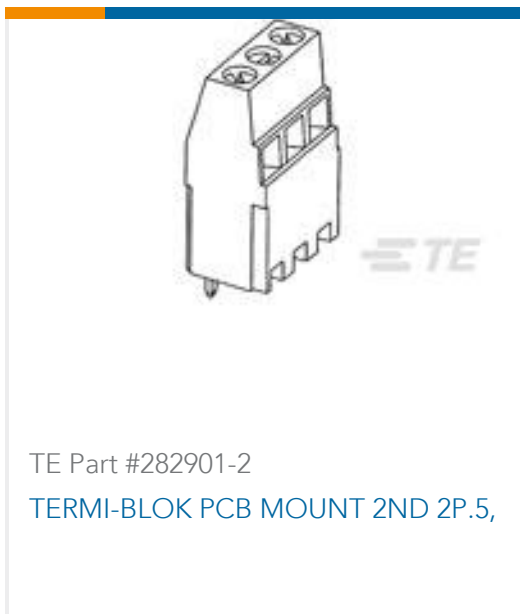
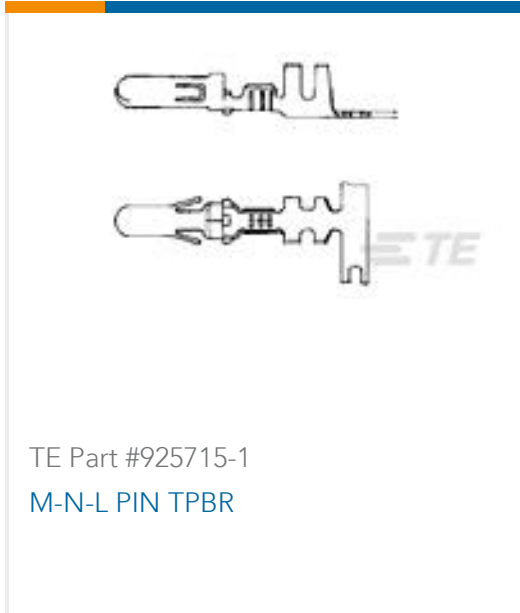
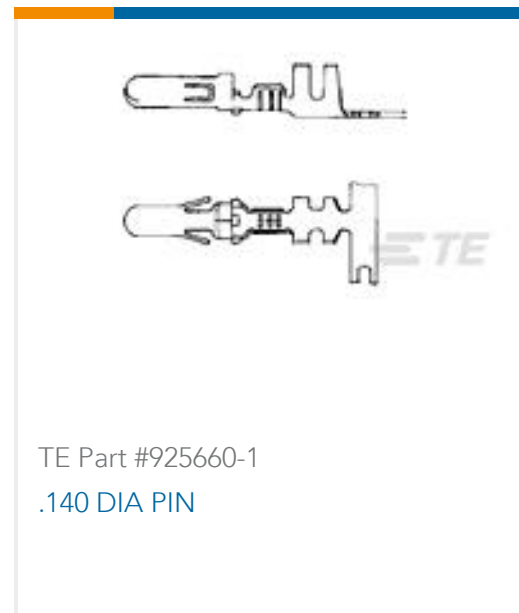
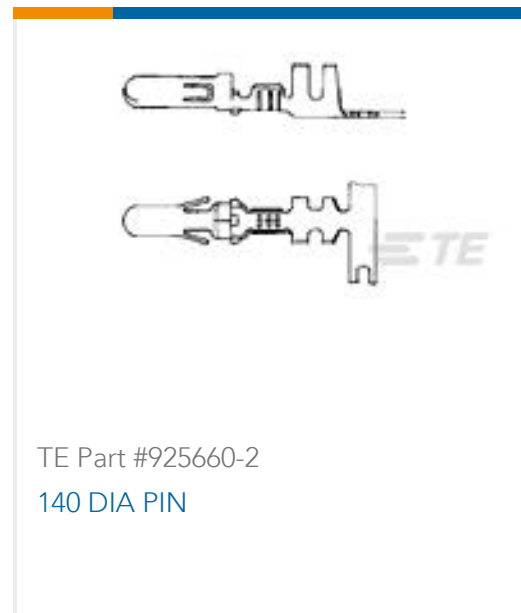
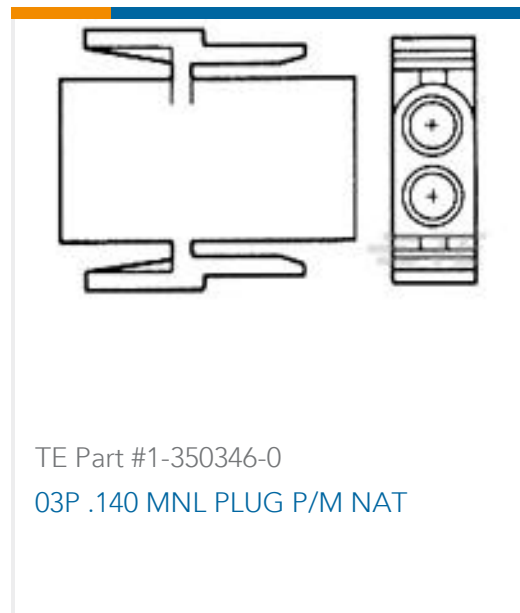
TE Part # 925712-1
.140 DIA SOCKET



Also in the Series | Commercial MATE-N-LOK



Customers Also Bought



Documents

CAD Files

3D PDF

English

Customer View Model

[ENG_CVM_1-480672-0_H.2d_dxf.zip](#)

English

Customer View Model

[ENG_CVM_1-480672-0_H.3d_igs.zip](#)

English

Customer View Model

[ENG_CVM_1-480672-0_H.3d_stp.zip](#)

English

3D PDF

3D

Customer View Model

[ENG_CVM_CVM_1-480672-0_V.2d_dxf.zip](#)

English

Customer View Model



[ENG_CVM_CVM_1-480672-0_V.3d_igs.zip](#)

English

Customer View Model

[ENG_CVM_CVM_1-480672-0_V.3d_stp.zip](#)

English

By downloading the CAD file I accept and agree to the [Terms and Conditions](#) of use.

Product Specifications

[Product Specification](#)

English

Product Environmental Compliance

[Product Compliance](#)

English

[Product Compliance](#)

English

Instruction Sheets

[Instruction Sheet \(U.S.\)](#)

English

Agency Approvals

[Agency Approval Document](#)

English