

1-1419158-4 ✓ ACTIVE

AMP | [Get .64 Connector System](#)

TE Internal #: 1-1419158-4

Housing for Female Terminals, Wire-to-Board / Wire-to-Device, 10

Position, .1 in [2.54 mm] Centerline, Black, Signal, Get .64

Connector System

[View on TE.com >](#)



Connectors > Automotive Connectors > Connector Housings > GET .64 CONNECTOR SYSTEM, CONNECTOR HSG



Connector & Housing Type: **Housing for Female Terminals**

Mating Tab Width: **.64 mm [.025 in]**

Connector System: **Wire-to-Board, Wire-to-Device**

Number of Positions: **10**

Centerline (Pitch): **2.54 mm [.1 in]**

[All GET .64 CONNECTOR SYSTEM, CONNECTOR HSG \(106\)](#)

Features

Product Type Features

Connector & Housing Shape	Rectangular
Connector & Housing Type	Housing for Female Terminals
Connector System	Wire-to-Board, Wire-to-Device
Sealable	No
Hybrid Connector	No
Primary Locking Feature	Integrated in Housing

Configuration Features

Number of Positions	10
Number of Rows	2

Electrical Characteristics

Operating Voltage	14 VDC
Nominal Voltage Architecture	12 V

Body Features

Cable Exit Angle	180°
Body Material	PA GF
Primary Product Color	Black
Connector Code	A



Contact Features

Contact Size	.64mm
Contact Type	Receptacle
Mating Tab Width	.64 mm[.025 in]

Mechanical Attachment

Mounting Feature	Without
Terminal Position Assurance	Yes
Strain Relief	Without
Mating Alignment Type	Keyed
Mating Alignment	With
Connector Mounting Type	Cable Mount (Free-Hanging)

Housing Features

Centerline (Pitch)	2.54 mm[.1 in]
--------------------	----------------

Dimensions

Product Width	20.22 mm[.796 in]
Product Length	16.01 mm[.63 in]
Product Height	17.8 mm[.701 in]

Usage Conditions

Operating Temperature (Max)	70 °C, 75 °C, 80 °C, 85 °C, 90 °C, 100 °C [158 °F][167 °F][176 °F][185 °F][194 °F][212 °F]
Operating Temperature Range	-40 – 100 °C[-40 – 212 °F]

Operation/Application

Circuit Application	Signal
---------------------	--------

Packaging Features

Packaging Quantity	2431
--------------------	------

Other

Serviceable	Yes
Connector Position Assurance Capable	Yes

Product Compliance

[For compliance documentation, visit the product page on TE.com>](#)

EU RoHS Directive 2011/65/EU	Compliant
EU ELV Directive 2000/53/EC	Compliant
China RoHS 2 Directive MIIT Order No 32, 2016	No Restricted Materials Above Threshold
EU REACH Regulation (EC) No. 1907/2006	Current ECHA Candidate List: JAN 2022 (223) Candidate List Declared Against: JAN 2022 (223) Does not contain REACH SVHC
Halogen Content	Low Halogen - Br, Cl, F, I < 900 ppm per homogenous material. Also BFR/CFR/PVC Free
Solder Process Capability	Not applicable for solder process capability

Product Compliance Disclaimer

This information is provided based on reasonable inquiry of our suppliers and represents our current actual knowledge based on the information they provided. This information is subject to change. The part numbers that TE has identified as EU RoHS compliant have a maximum concentration of 0.1% by weight in homogenous materials for lead, hexavalent chromium, mercury, PBB, PBDE, DBP, BBP, DEHP, DIBP, and 0.01% for cadmium, or qualify for an exemption to these limits as defined in the Annexes of Directive 2011/65/EU (RoHS2). Finished electrical and electronic equipment products will be CE marked as required by Directive 2011/65/EU. Components may not be CE marked. Additionally, the part numbers that TE has identified as EU ELV compliant have a maximum concentration of 0.1% by weight in homogenous materials for lead, hexavalent chromium, and mercury, and 0.01% for cadmium, or qualify for an exemption to these limits as defined in the Annexes of Directive 2000/53/EC (ELV). Regarding the REACH Regulation, the information TE provides on SVHC in articles for this part number is based on the latest European Chemicals Agency (ECHA) 'Guidance on requirements for substances in articles' posted at this URL: <https://echa.europa.eu/guidance-documents/guidance-on-reach>

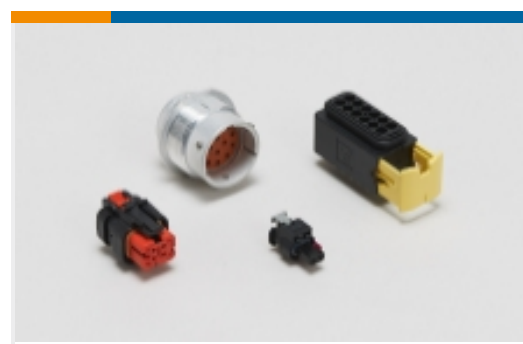
Compatible Parts



Also in the Series | [Get .64 Connector System](#)



Automotive Connector Caps & Covers (7)



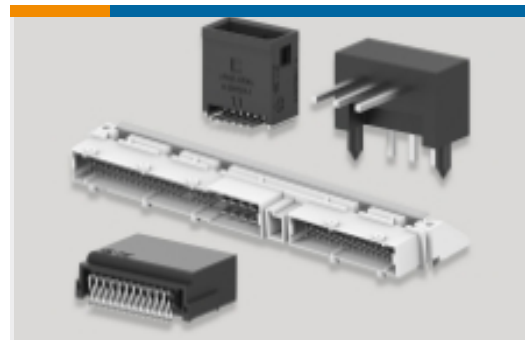
Automotive Housings(108)



Automotive Terminals(30)



Insertion & Extraction Tools(1)



PCB Headers & Receptacles(1)

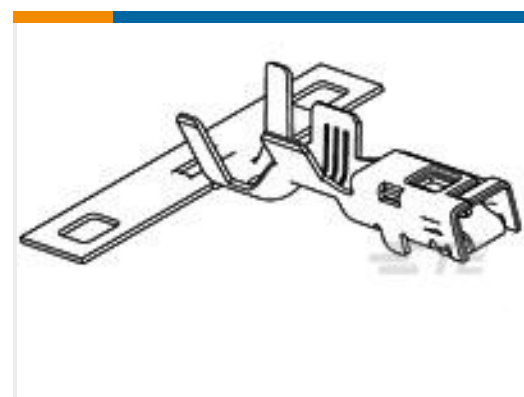
Customers Also Bought



TE Part #1456989-1
2x8 Fem unsealed LP assy Key A



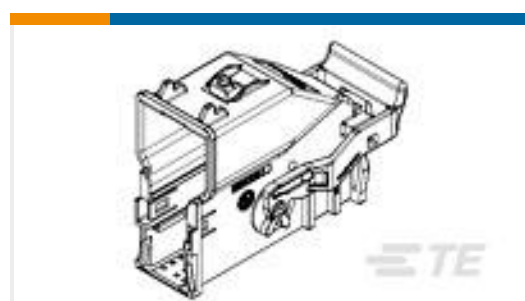
TE Part #2138731-1
36P UNSEALED HYBRID PLUG ASSEM



TE Part #1-1326032-1
2.8MM RECP,SEAL,14AWG,REV REEL



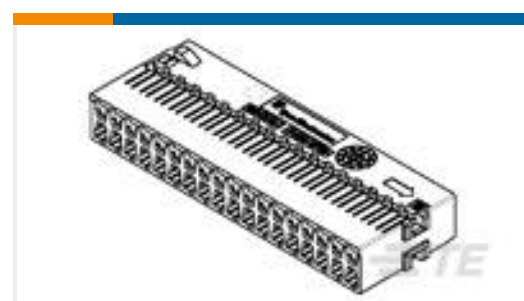
TE Part #1924782-2
GET FEM TERM 1.2MM, TS, TIN 1MMSQ



TE Part #1924337-1
Shield Assembly, 54 POSN, 0.64mm BLK



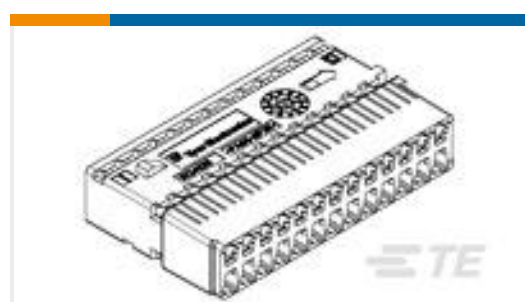
TE Part #1924341-1
18P, 1 Row Carrier for 54P LAC



TE Part #1924340-1
36P, 2 Row Carrier for 54P LAC



TE Part #1924141-1
Shield, 26P GenY, Hand Mate Conn



TE Part #1924136-2
Carrier, 26P Generation Y, 52P Conn



TE Part #1411001-9
2x4 SEALED HARN ASSY W/O CPA

Documents



Product Drawings

[MARKET2X5FEM.UNSEAL](#)

English

CAD Files

Customer View Model

[ENG_CVM_CVM_1-1419158-4_B.2d_dxf.zip](#)

English

3D PDF

3D

Customer View Model

[ENG_CVM_CVM_1-1419158-4_B.3d_igs.zip](#)

English

Customer View Model

[ENG_CVM_CVM_1-1419158-4_B.3d_stp.zip](#)

English

By downloading the CAD file I accept and agree to the [Terms and Conditions](#) of use.

Datasheets & Catalog Pages

[GET 0.64 Interconnection System](#)

English

Product Environmental Compliance

[Product Compliance](#)

English

[Product Compliance](#)

English

Instruction Sheets

[Instruction Sheet \(U.S.\)](#)

English

[Instruction Sheet \(U.S.\)](#)

English