



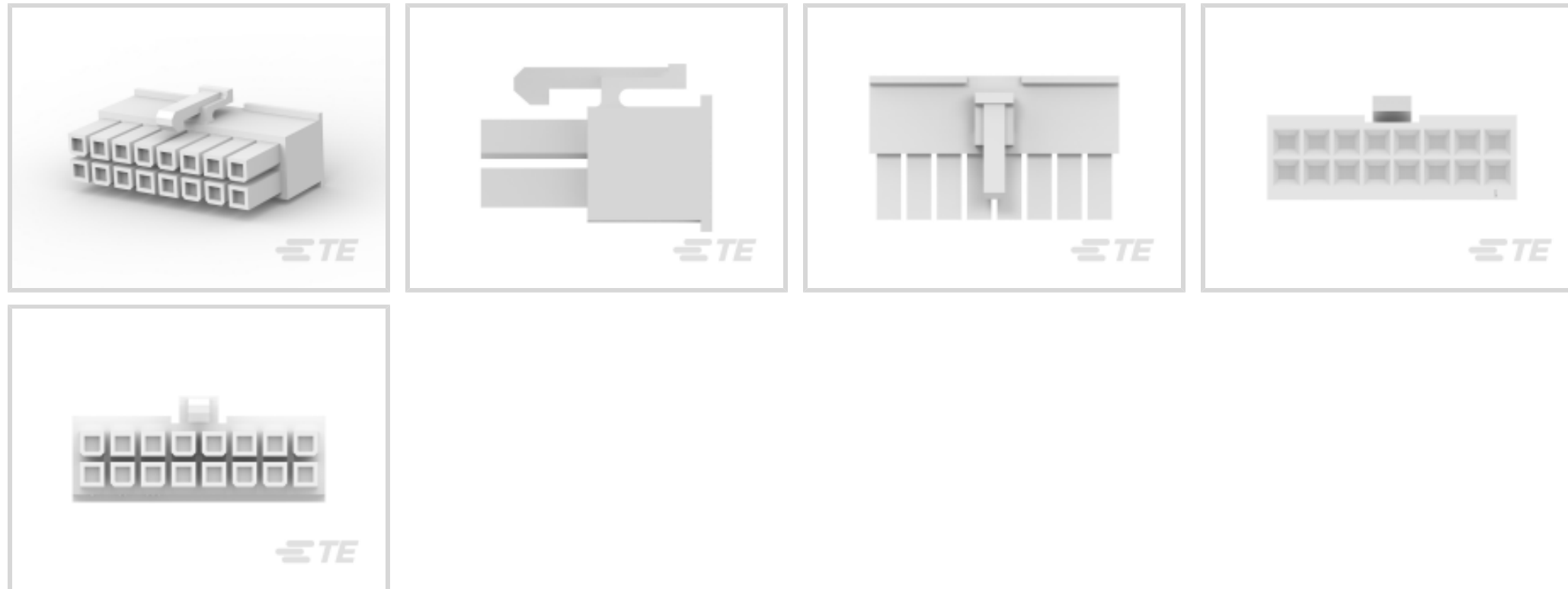
**VAL-U-LOK**

TE Internal #: 1-794954-6

Rectangular Power Connectors, Housing, Receptacle, Wire-to-Board / Wire-to-Wire, 16 Position, .165 in [4.2 mm] Centerline, Wire & Cable, UL 94V-2

[View on TE.com >](#)

Connectors > Power Connectors > Rectangular Power > Rectangular Power Connectors



Rectangular Power Connector Type: **Housing**

Connector & Housing Type: **Receptacle**

Connector System: **Wire-to-Board, Wire-to-Wire**

Number of Positions: **16**

Centerline (Pitch): **4.2 mm [ .165 in ]**

**Features**

**Product Type Features**

Rectangular Power Connector Type	Housing
Connector & Housing Type	Receptacle
Connector System	Wire-to-Board, Wire-to-Wire
Sealable	No
Connector & Contact Terminates To	Wire & Cable

**Configuration Features**

Number of Positions	16
Number of Rows	2

**Electrical Characteristics**

Operating Voltage	600 VAC
-------------------	---------

**Contact Features**

Contact Layout	Matrix
Contact Retention Within Housing	Without
Contact Type	Receptacle



### Termination Features

Termination Method to Wire & Cable	Crimp
Wire/Cable Type	Discrete Wire

### Mechanical Attachment

Connector Mounting Type	Cable Mount (Free-Hanging)
-------------------------	----------------------------

### Housing Features

Centerline (Pitch)	4.2 mm[.165 in]
Housing Color	Natural
Housing Material	Nylon

### Dimensions

Row-to-Row Spacing	4.2 mm[.165 in]
Width	20 mm[.787 in]
Accepts Wire Insulation Diameter Range	1.2 – 3.1 mm[.047 – .122 in]
Height	11.8 mm[.464 in]
Length	34.8 mm[1.37 in]

### Usage Conditions

Operating Temperature Range	-40 – 105 °C[-40 – 221 °F]
Insertion Force	15 Newton

### Operation/Application

Assembly Integration Feature	Without
Circuit Application	Power & Signal

### Identification Marking

Circuit Identification Feature	With
--------------------------------	------

### Industry Standards

UL Flammability Rating	UL 94V-2
Glow Wire Rating	Standard Part - Not Glow Wire
Agency/Standard Number	E28476
Agency/Standard	CSA, UL
UL Rating	Recognized
CSA File Number	208567
VDE Tested	No



### Packaging Features

Packaging Method	Bag
Packaging Quantity	500

### Other

For Use With	Printed Circuit Board
--------------	-----------------------

### Product Compliance

[For compliance documentation, visit the product page on TE.com>](#)

EU RoHS Directive 2011/65/EU	Compliant
EU ELV Directive 2000/53/EC	Compliant
China RoHS 2 Directive MIIT Order No 32, 2016	No Restricted Materials Above Threshold
EU REACH Regulation (EC) No. 1907/2006	Current ECHA Candidate List: JAN 2022 (223) Candidate List Declared Against: JAN 2022 (223) Does not contain REACH SVHC
Halogen Content	Not Low Halogen - contains Br or Cl > 900 ppm.
Solder Process Capability	Not applicable for solder process capability

#### Product Compliance Disclaimer

This information is provided based on reasonable inquiry of our suppliers and represents our current actual knowledge based on the information they provided. This information is subject to change. The part numbers that TE has identified as EU RoHS compliant have a maximum concentration of 0.1% by weight in homogenous materials for lead, hexavalent chromium, mercury, PBB, PBDE, DBP, BBP, DEHP, DIBP, and 0.01% for cadmium, or qualify for an exemption to these limits as defined in the Annexes of Directive 2011/65/EU (RoHS2). Finished electrical and electronic equipment products will be CE marked as required by Directive 2011/65/EU. Components may not be CE marked. Additionally, the part numbers that TE has identified as EU ELV compliant have a maximum concentration of 0.1% by weight in homogenous materials for lead, hexavalent chromium, and mercury, and 0.01% for cadmium, or qualify for an exemption to these limits as defined in the Annexes of Directive 2000/53/EC (ELV). Regarding the REACH Regulation, the information TE provides on SVHC in articles for this part number is based on the latest European Chemicals Agency (ECHA) 'Guidance on requirements for substances in articles' posted at this URL: <https://echa.europa.eu/guidance-documents/guidance-on-reach>

### Compatible Parts



TE Part # 1-1586037-6  
16P VERT HDR VAL-U-LOK V2



TE Part # 1-1586039-6  
16P VAL-U-LOK VRT HDR W/P V2



TE Part # 1-1586043-6  
16P VAL-U-LOK R/A HDR SCRMT V2



TE Part # 1-1586586-6  
16P VAL-U-LOK BMI VRT HDR V2



TE Part # 1-1586000-6  
16P FH PLUG VAL-U-LOK V2



TE Part # 1-1586585-6  
16P VAL-U-LOK BMI VRT HDR V2



TE Part # 1-1586041-6  
16P VAL-U-LOK R/A HDR V2



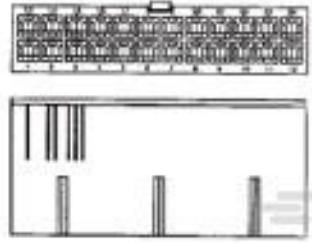
TE Part # 1-794953-6  
16P PM PLUG VAL-U-LOK V2



TE Part # 1-1969598-6  
16P FH PLUG VAL-U-LOK V2



TE Part # 1-1969599-6  
16P PM PLUG VAL-U-LOK V2



TE Part # 1-2029027-6  
16P PLUG VAL-U-LOK FH V2 BLK



TE Part # 2029091-2  
2P RCPT VAL-U-LOK V2 RED

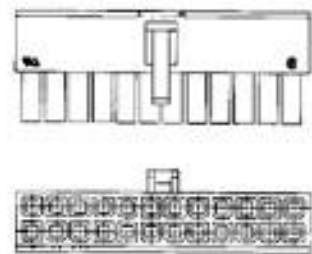


TE Part # 4-1586040-6  
16P VAL-U-LOK VRT HDR W/P V0 gold

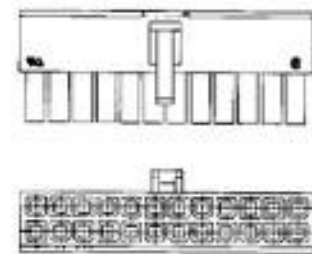
### Customers Also Bought



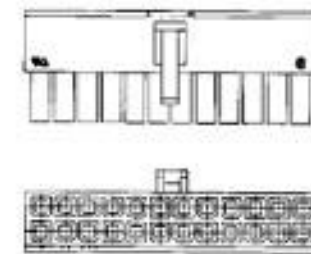
TE Part #440053-2  
2.5MM,HDR,2POS,R/A



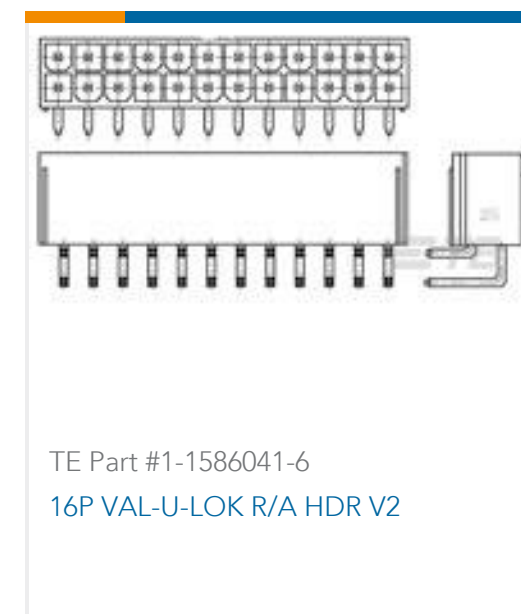
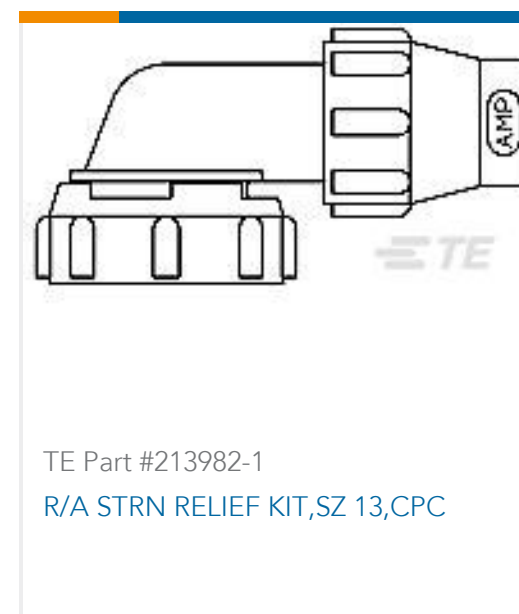
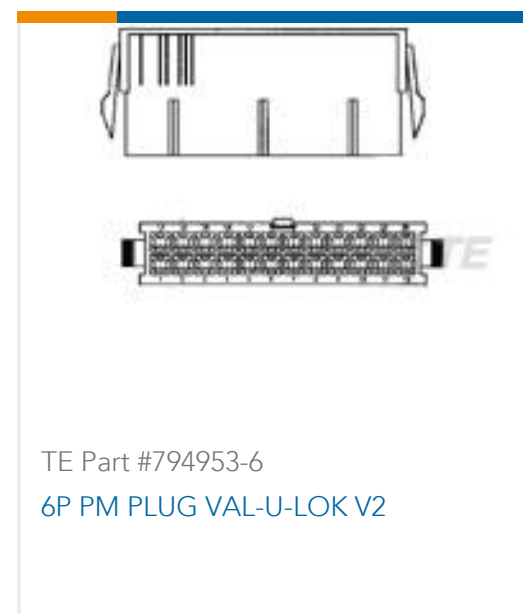
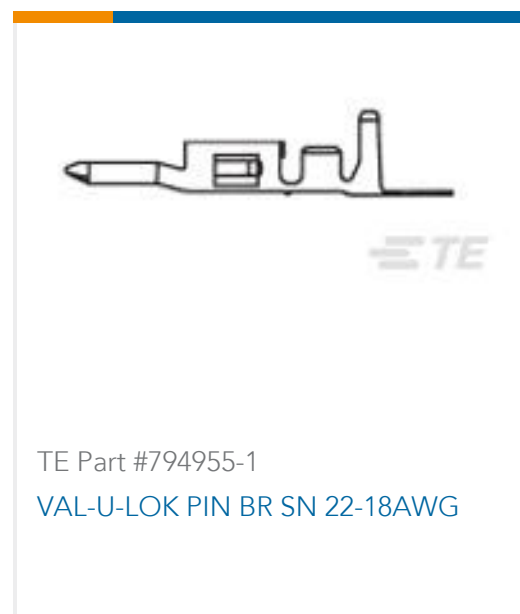
TE Part #794954-6  
6P RCPT VAL-U-LOK V2



TE Part #794954-4  
4P RCPT VAL-U-LOK V2



TE Part #794954-8  
8P RCPT VAL-U-LOK V2



## Documents

### Product Drawings

[16P RCPT VAL-U-LOK V2](#)

English

### CAD Files

[3D PDF](#)

3D

Customer View Model

[ENG\\_CVM\\_CVM\\_1-794954-6\\_E.2d\\_dxf.zip](#)

English

Customer View Model

[ENG\\_CVM\\_CVM\\_1-794954-6\\_E.3d\\_igs.zip](#)

English

Customer View Model

[ENG\\_CVM\\_CVM\\_1-794954-6\\_E.3d\\_stp.zip](#)

English

By downloading the CAD file I accept and agree to the [Terms and Conditions](#) of use.

### Datasheets & Catalog Pages

[SOFT\\_SHELL\\_PIN\\_AND\\_SOCKET\\_CONNECTORS\\_CATALOG](#)

English

### Product Specifications

[Application Specification](#)

English

### Product Environmental Compliance

[MD\\_1-794954-6\\_02092018531\\_dmtec](#)



English

[MD\\_1-794954-6\\_02092018531\\_dmtec](#)

English

---

[Agency Approvals](#)

[VDE Certificate](#)

English