



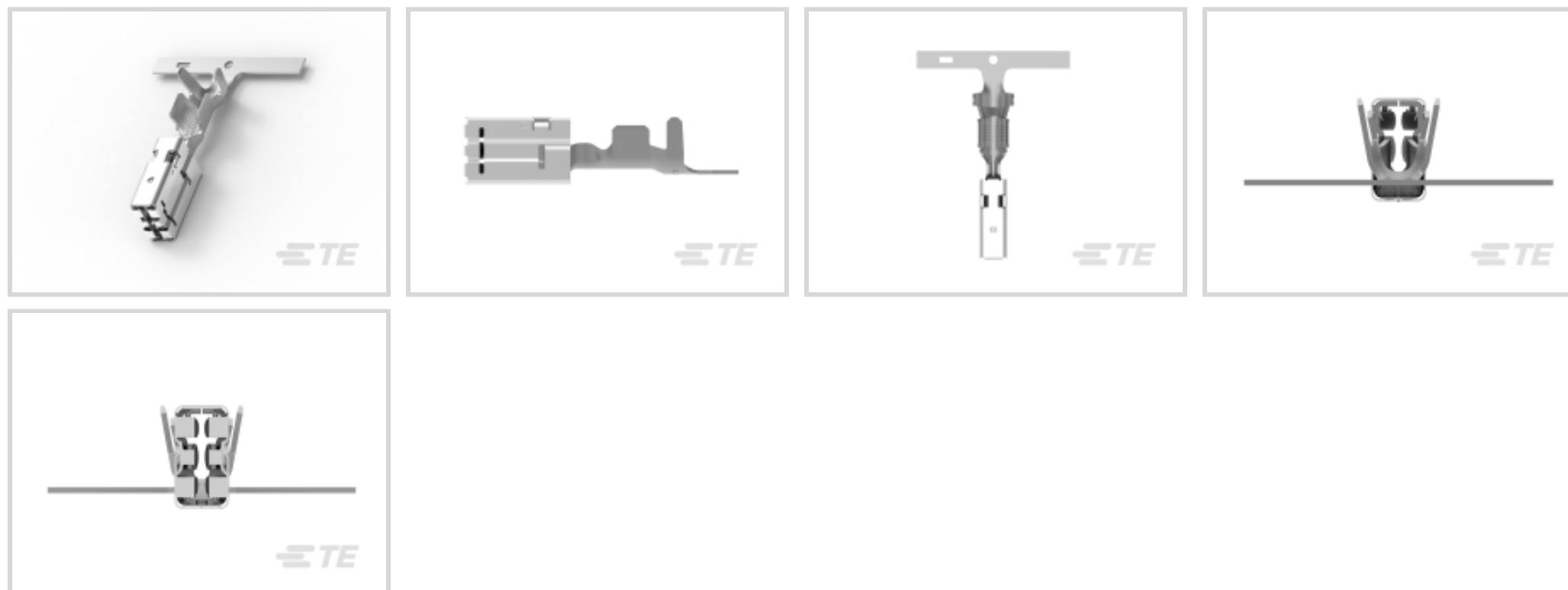
AMP | AMP MCP Connector System

TE Internal #: 1-1355849-1

Automotive Terminals, Receptacle, Mating Tab Width 9.5 mm [.374 in], Tab Thickness .047 in [1.2 mm], 9 – 7 AWG Wire Size, AMP MCP Connector System

[View on TE.com >](#)

Terminals & Splices > Automotive Terminals > AMP MCP, RECEPTACLE AND TAB



Terminal Type: **Receptacle**

Mating Tab Width: **9.5 mm [.374 in]**

Mating Tab Thickness: **1.2 mm [.047 in]**

Terminal Transmits: **41 – 100 A (High Power)**

Wire Size: **9 – 7 AWG**

[All AMP MCP, RECEPTACLE AND TAB \(125\)](#)

Features

Product Type Features

Receptacle Style	180°
Sealable	No
Primary Locking Feature	Clean Body

Contact Features

Contact Size	9.5mm
Contact Fabrication	Stamped & Formed
Typical Current Rating	65 A
Crimp Type	F-Crimp
Terminal Type	Receptacle
Mating Tab Width	9.5 mm[.374 in]
Mating Tab Thickness	1.2 mm[.047 in]
Interface Plating	Tin (Sn)
Contact Termination Area Plating Material	Tin (Sn)



Termination Features

Termination Method to Wire & Cable	Crimp
Product Terminates To	Wire

Dimensions

Wire Size	6 – 10 mm ²
Wire Size Search	7 AWG, 8 AWG, 9 AWG
Wire Insulation Diameter	4.6 – 6.4 mm [.18 – .25 in]

Usage Conditions

Insulation Option	Uninsulated
Operating Temperature (Max)	80 °C, 85 °C, 90 °C, 100 °C, 105 °C, 110 °C, 120 °C, 125 °C, 130 °C [176 °F][185 °F][194 °F][212 °F][221 °F][230 °F][248 °F][257 °F][266 °F]
Operating Temperature Range	-40 – 130 °C [-40 – 266 °F]

Operation/Application

Compatible With Wire Base Material	Copper
------------------------------------	--------

Industry Standards

Agency/Standard	LV214
-----------------	-------

Packaging Features

Packaging Method	Reel
Packaging Quantity	600

Other

Terminal Transmits	41 – 100 A (High Power)
--------------------	-------------------------

Product Compliance

[For compliance documentation, visit the product page on TE.com>](#)

EU RoHS Directive 2011/65/EU	Compliant
EU ELV Directive 2000/53/EC	Compliant
China RoHS 2 Directive MIIT Order No 32, 2016	No Restricted Materials Above Threshold
EU REACH Regulation (EC) No. 1907/2006	Current ECHA Candidate List: JAN 2022 (223) Candidate List Declared Against: JAN 2022 (223) Does not contain REACH SVHC



Halogen Content	Low Halogen - Br, Cl, F, I < 900 ppm per homogenous material. Also BFR/CFR/PVC Free
Solder Process Capability	Not applicable for solder process capability

Product Compliance Disclaimer

This information is provided based on reasonable inquiry of our suppliers and represents our current actual knowledge based on the information they provided. This information is subject to change. The part numbers that TE has identified as EU RoHS compliant have a maximum concentration of 0.1% by weight in homogenous materials for lead, hexavalent chromium, mercury, PBB, PBDE, DBP, BBP, DEHP, DIBP, and 0.01% for cadmium, or qualify for an exemption to these limits as defined in the Annexes of Directive 2011/65/EU (RoHS2). Finished electrical and electronic equipment products will be CE marked as required by Directive 2011/65/EU. Components may not be CE marked. Additionally, the part numbers that TE has identified as EU ELV compliant have a maximum concentration of 0.1% by weight in homogenous materials for lead, hexavalent chromium, and mercury, and 0.01% for cadmium, or qualify for an exemption to these limits as defined in the Annexes of Directive 2000/53/EC (ELV). Regarding the REACH Regulation, the information TE provides on SVHC in articles for this part number is based on the latest European Chemicals Agency (ECHA) 'Guidance on requirements for substances in articles' posted at this URL: <https://echa.europa.eu/guidance-documents/guidance-on-reach>

Compatible Parts

TE Part # CAT-T4827-T273
TIMER, RECEPTACLE AND TAB

TE Part # 1355437-1
MCP9,5 EINZELDICHTG

TE Part # 1355437-2
MCP9,5 EINZELDICHTG

TE Part # 539783-5
DIE MCP 9,5 6MM

TE Part # 2-2266642-2
OCEAN_2.0_APPLICATOR-S-200F300F

TE Part # 2266642-2
OCEAN_2.0_APPLICATOR-S-200F300F

TE Part # 539783-6
DIE MCP 9,5 10MM

TE Part # 7-2266642-2
OCEAN_2.0_APPLICATOR-S-200F300F

KIT
REPRESENTATION ONLY

TE Part # 7-2266642-7
OCEAN_2.0_SPARE_PART_KIT-200F300F

Also in the Series | **AMP MCP Connector System**



Automotive Connector Caps & Covers (24)



Automotive Connector Locks & Position Assurance(7)



Automotive Housings(352)



Automotive Seals & Cavity Plugs(6)



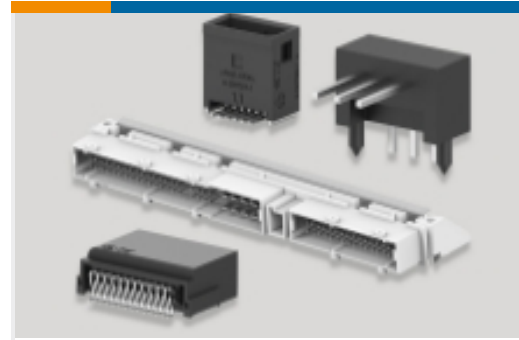
Automotive Terminals(125)



Insertion & Extraction Tools(13)



Other Automotive Connector Accessories(2)



PCB Headers & Receptacles(29)

Customers Also Bought



TE Part #1-967625-6
TIMER, CONNECTOR HOUSING



TE Part #1-1355833-1
AMP MCP 2.8, CONTACT LANCELESS



TE Part #5-963716-1
MQS0,63 Sn tab LL unseal. 0,5-0,75



TE Part #928343-6
STD-TIM GEH 6P



TE Part #2141024-1
RELAY BOX ASSY,HARD WIRED



TE Part #9-1393303-7
V23134J0053D642-EV-CBOX



TE Part #880398-2
FUSE CONTACT



TE Part #880397-2
FUSE CONTACT

Documents

Product Drawings

[AMP MCP 9.5, CONTACT, LANCELESS](#)

English

CAD Files

[3D PDF](#)

[3D](#)

[Customer View Model](#)

[ENG_CVM_CVM_1-1355849-1_B_c-1-1355849-1-b.2d_dxf.zip](#)



English

Customer View Model

[ENG_CVM_CVM_1-1355849-1_B_c-1-1355849-1-b.3d_igs.zip](#)

English

Customer View Model

[ENG_CVM_CVM_1-1355849-1_B_c-1-1355849-1-b.3d_stp.zip](#)

English

By downloading the CAD file I accept and agree to the [Terms and Conditions](#) of use.

Product Specifications

[Application Specification](#)

German

[Application Specification](#)

German