



SL-156

TE Internal #: 1-770849-0

Housing, Receptacle, Wire-to-Board, 10 Position, 3.96 mm [.156 in] Centerline, Crimp, 1 Row, Natural, Mating Retention, Wire & Cable, SL-156

[View on TE.com >](#)

Connectors > PCB Connectors > Wire-to-Board Connectors > Wire-to-Board Connector Assemblies & Housings >

3.96mm Wire-to-board housing: receptacle, with mating alignment, SL 156



Connector Product Type: **Housing**

Connector & Housing Type: **Receptacle**

Connector System: **Wire-to-Board**

Number of Positions: **10**

Centerline (Pitch): **3.96 mm [.156 in]**

[All 3.96mm Wire-to-board housing: receptacle, with mating alignment, SL 156 \(124\)](#)

**Features**

**Product Type Features**

|                                   |               |
|-----------------------------------|---------------|
| Connector Product Type            | Housing       |
| Connector & Housing Type          | Receptacle    |
| Connector System                  | Wire-to-Board |
| Sealable                          | No            |
| Connector & Contact Terminates To | Wire & Cable  |

**Configuration Features**

|                     |    |
|---------------------|----|
| Number of Positions | 10 |
| Number of Rows      | 1  |

**Electrical Characteristics**

|                   |         |
|-------------------|---------|
| Operating Voltage | 250 VAC |
|-------------------|---------|

**Contact Features**

|  |  |
|--|--|
|  |  |
|--|--|



|                                  |         |
|----------------------------------|---------|
| Contact Layout                   | Inline  |
| Contact Retention Within Housing | Without |
| Contact Type                     | Socket  |
| Contact Current Rating (Max)     | 6.5 A   |

#### Termination Features

|                                    |       |
|------------------------------------|-------|
| Termination Method to Wire & Cable | Crimp |
|------------------------------------|-------|

#### Mechanical Attachment

|                         |                            |
|-------------------------|----------------------------|
| Strain Relief           | Without                    |
| PCB Mount Alignment     | Without                    |
| Panel Mount Feature     | Without                    |
| PCB Mount Retention     | Without                    |
| Mating Retention Type   | Locking Ramp               |
| Mating Retention        | With                       |
| Connector Mounting Type | Cable Mount (Free-Hanging) |

#### Housing Features

|                    |                   |
|--------------------|-------------------|
| Housing Material   | Nylon - GF        |
| Centerline (Pitch) | 3.96 mm [.156 in] |
| Housing Color      | Natural           |

#### Dimensions

|           |                              |
|-----------|------------------------------|
|           | .25 in                       |
| Wire Size | .0509 – .823 mm <sup>2</sup> |

#### Usage Conditions

|                             |                             |
|-----------------------------|-----------------------------|
| Operating Temperature Range | -55 – 105 °C [-67 – 221 °F] |
|-----------------------------|-----------------------------|

#### Operation/Application

|                     |                |
|---------------------|----------------|
| Circuit Application | Power & Signal |
|---------------------|----------------|

#### Industry Standards

|                        |           |
|------------------------|-----------|
| CSA Rating             | Certified |
| UL Flammability Rating | UL 94V-0  |
| UL File Number         | E28476    |
| UL Rating              | Listed    |
| Agency/Standard        | CSA, UL   |
| CSA File Number        | LR 7189   |



### Packaging Features

|                    |         |
|--------------------|---------|
| Packaging Quantity | 1       |
| Packaging Method   | Package |

### Other

|         |   |
|---------|---|
| Comment | Unit Accepts 1.14[.045] Square or Round Post, Accepts Keying Plug 640254-1 and 640255-1 |
|---------|---|

### Product Compliance

[For compliance documentation, visit the product page on TE.com>](#)

|   |   |
|---|---|
| EU RoHS Directive 2011/65/EU                  | Compliant   |
| EU ELV Directive 2000/53/EC                   | Compliant   |
| China RoHS 2 Directive MIIT Order No 32, 2016 | No Restricted Materials Above Threshold   |
| EU REACH Regulation (EC) No. 1907/2006        | Current ECHA Candidate List: JAN 2022 (223)<br>Candidate List Declared Against: JAN 2022 (223)<br>Does not contain REACH SVHC |
| Halogen Content                               | Low Halogen - Br, Cl, F, I < 900 ppm per homogenous material. Also BFR/CFR/PVC Free   |
| Solder Process Capability                     | Not applicable for solder process capability  |

#### Product Compliance Disclaimer

This information is provided based on reasonable inquiry of our suppliers and represents our current actual knowledge based on the information they provided. This information is subject to change. The part numbers that TE has identified as EU RoHS compliant have a maximum concentration of 0.1% by weight in homogenous materials for lead, hexavalent chromium, mercury, PBB, PBDE, DBP, BBP, DEHP, DIBP, and 0.01% for cadmium, or qualify for an exemption to these limits as defined in the Annexes of Directive 2011/65/EU (RoHS2). Finished electrical and electronic equipment products will be CE marked as required by Directive 2011/65/EU. Components may not be CE marked. Additionally, the part numbers that TE has identified as EU ELV compliant have a maximum concentration of 0.1% by weight in homogenous materials for lead, hexavalent chromium, and mercury, and 0.01% for cadmium, or qualify for an exemption to these limits as defined in the Annexes of Directive 2000/53/EC (ELV). Regarding the REACH Regulation, the information TE provides on SVHC in articles for this part number is based on the latest European Chemicals Agency (ECHA) 'Guidance on requirements for substances in articles' posted at this URL: <https://echa.europa.eu/guidance-documents/guidance-on-reach>

### Compatible Parts



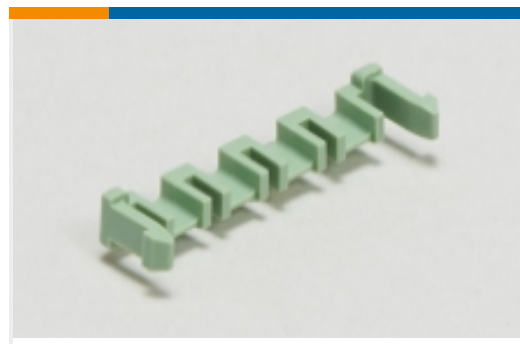
Also in the Series | **SL-156**



Insertion & Extraction Tools(1)



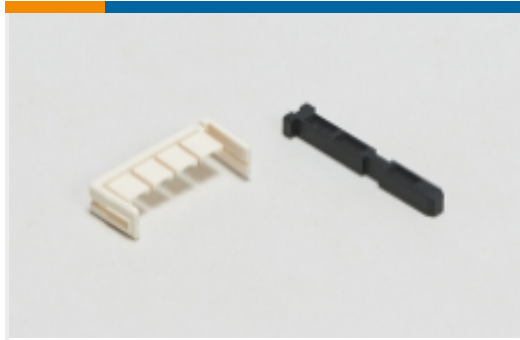
PCB Connector Keying(2)



PCB Latches, Locks & Retainers(1)



Rectangular Connector Housings(12)



Rectangular Connector Keying Plugs(1)



Wire-to-Board Connector Assemblies & Housings(158)



Wire-to-Board Connector Contacts(24)

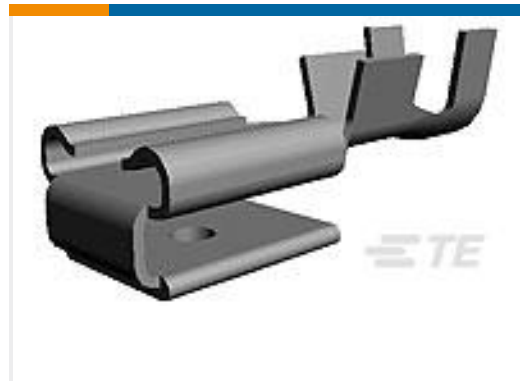
## Customers Also Bought



TE Part #770849-8  
3.96mm Wire-to-board housing: receptacle, with mating alignment, SL 156



TE Part #3-770476-1  
SL156 RECPT, SNNI/PHBZ



TE Part #61988-2  
250 FASTON REC 22-18 AWG TPBR



TE Part #640204-1  
RING .164 (4.17 MM) 22-18 AWG TPST



TE Part #42563-6  
250 FASTON FLAG REC 12-10 AWG SPBZ



TE Part #1744001-6  
06P MTA156 HDR POL .045SQ TIN

## Documents

### Product Drawings

[10P SL156 HSG W/LCK RMP & TABS](#)

English

### CAD Files

[3D PDF](#)

[3D](#)

[Customer View Model](#)

[ENG\\_CVM\\_CVM\\_1-770849-0\\_Z\\_c-1-770849-0-z.2d\\_dxf.zip](#)



English

**Customer View Model**

[ENG\\_CVM\\_CVM\\_1-770849-0\\_Z\\_c-1-770849-0-z.3d\\_igs.zip](#)

English

**Customer View Model**

[ENG\\_CVM\\_CVM\\_1-770849-0\\_Z\\_c-1-770849-0-z.3d\\_stp.zip](#)

English

By downloading the CAD file I accept and agree to the [Terms and Conditions](#) of use.

---

**Datasheets & Catalog Pages**

[MTA, CST-100 II, SL-156 and AMP Economy Power \(EP\) Connectors](#)

English

---

**Product Specifications**

[Application Specification](#)

English

---

**Product Environmental Compliance**

[MD\\_1-770849-0\\_0611201876\\_dmtec](#)

English

[MD\\_1-770849-0\\_0611201876\\_dmtec](#)

English

---

**Agency Approvals**

[Agency Approval Document](#)

English