

1-338097-1 ✓ ACTIVE

Micro-MaTch | Micro-MaTch Industrial

TE Internal #: 1-338097-1

Connector Contact, Pin, Wire-to-Board, 1 Position, .05 in [1.27 mm]

Centerline, 24 – 20 AWG Wire Size, .2 – .5 mm² Wire Size, Micro-

MaTch Industrial

[View on TE.com >](#)



Connectors > PCB Connectors > Wire-to-Board Connectors > Wire-to-Board Connector Contacts > CRIMP CONTACTS



Contact Type: **Pin**

Connector System: **Wire-to-Board**

Number of Positions: **1**

Centerline (Pitch): **1.27 mm [.05 in]**

Wire Size: **24 – 20 AWG**

[All CRIMP CONTACTS \(4\)](#)

Features

Product Type Features

Connector System	Wire-to-Board
Connector & Contact Terminates To	Wire & Cable

Configuration Features

Number of Positions	1
---------------------	---

Contact Features

Mating Tab Width	.7 mm[.027 in]
Mating Tab Thickness	.41 mm[.016 in]
Contact Type	Pin
Contact Mating Area Plating Material	Pre-Tin
Contact Current Rating (Max)	1.5 A

Housing Features

Centerline (Pitch)	1.27 mm[.05 in]
--------------------	-----------------

Dimensions

Wire Size	.2 – .5 mm ²
-----------	-------------------------

Usage Conditions

Operating Temperature Range	-40 – 105 °C[-40 – 221 °F]
-----------------------------	----------------------------



Operation/Application

Circuit Application	Signal
---------------------	--------

Packaging Features

Packaging Method	Reel
------------------	------

Product Compliance

[For compliance documentation, visit the product page on TE.com>](#)

EU RoHS Directive 2011/65/EU	Compliant
EU ELV Directive 2000/53/EC	Compliant
China RoHS 2 Directive MIIT Order No 32, 2016	No Restricted Materials Above Threshold
EU REACH Regulation (EC) No. 1907/2006	Current ECHA Candidate List: JAN 2022 (223) Candidate List Declared Against: JAN 2022 (223) Does not contain REACH SVHC
Halogen Content	Low Halogen - Br, Cl, F, I < 900 ppm per homogenous material. Also BFR/CFR/PVC Free
Solder Process Capability	Not applicable for solder process capability

Product Compliance Disclaimer

This information is provided based on reasonable inquiry of our suppliers and represents our current actual knowledge based on the information they provided. This information is subject to change. The part numbers that TE has identified as EU RoHS compliant have a maximum concentration of 0.1% by weight in homogenous materials for lead, hexavalent chromium, mercury, PBB, PBDE, DBP, BBP, DEHP, DIBP, and 0.01% for cadmium, or qualify for an exemption to these limits as defined in the Annexes of Directive 2011/65/EU (RoHS2). Finished electrical and electronic equipment products will be CE marked as required by Directive 2011/65/EU. Components may not be CE marked. Additionally, the part numbers that TE has identified as EU ELV compliant have a maximum concentration of 0.1% by weight in homogenous materials for lead, hexavalent chromium, and mercury, and 0.01% for cadmium, or qualify for an exemption to these limits as defined in the Annexes of Directive 2000/53/EC (ELV). Regarding the REACH Regulation, the information TE provides on SVHC in articles for this part number is based on the latest European Chemicals Agency (ECHA) 'Guidance on requirements for substances in articles' posted at this URL: <https://echa.europa.eu/guidance-documents/guidance-on-reach>

Compatible Parts



TE Part # CAT-M5833-C8684
CRIMP-ON-SNAP-IN HOUSING



TE Part # 2305570-1
TERMINAL CUTTER, SIDE FEED



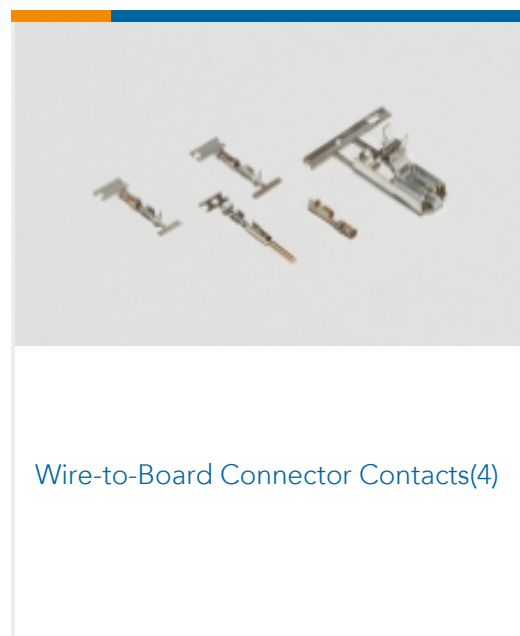
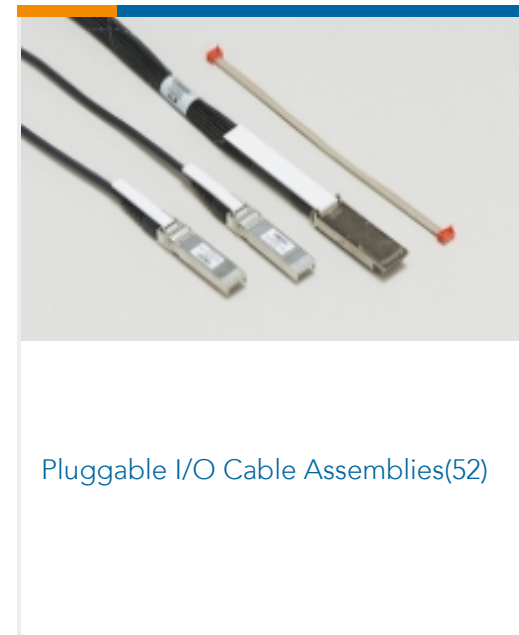
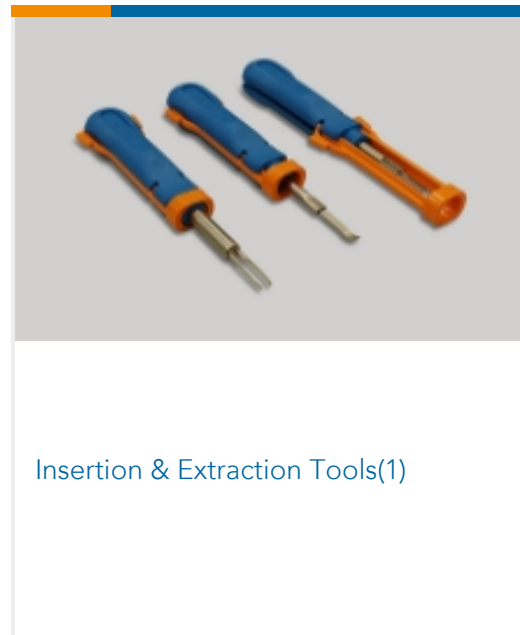
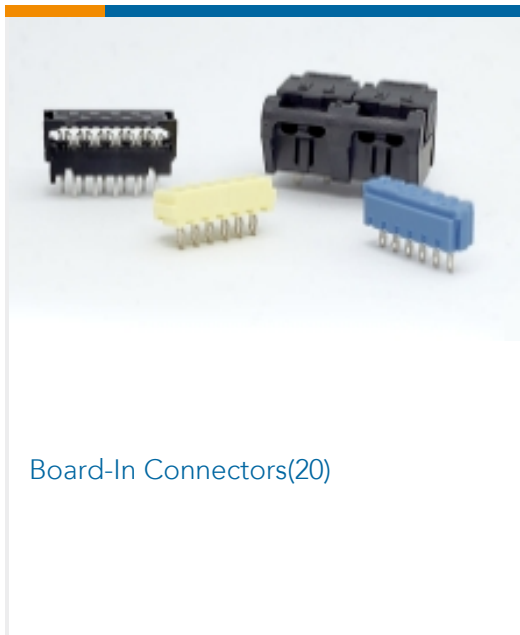
TE Part # 734870-1
CRIMP HT, MICRO-MATCH COSI, AW



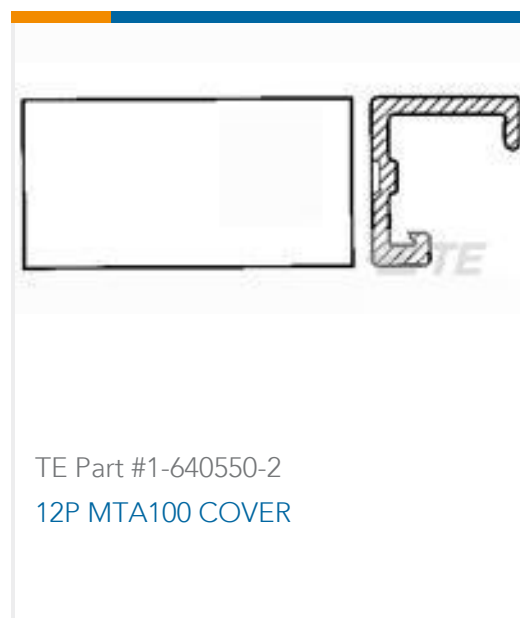
TE Part # 2-2151689-1
OCEAN-2.0-APPLICATOR-S-055F0620



Also in the Series | Micro-MaTch Industrial



Customers Also Bought





Documents

Product Drawings

MICRO-MATCH COSICNT

English

CAD Files

3D PDF

English

Customer View Model

[ENG_CVM_1-338097-1_E.3d_igs.zip](#)

English

Customer View Model

[ENG_CVM_1-338097-1_E.3d_stp.zip](#)

English

Customer View Model

[ENG_CVM_1-338097-1_E.2d_dxf.zip](#)

English

3D PDF

3D

Customer View Model

[ENG_CVM_CVM_1-338097-1_D.2d_dxf.zip](#)

English

Customer View Model

[ENG_CVM_CVM_1-338097-1_D.3d_igs.zip](#)

English

Customer View Model

[ENG_CVM_CVM_1-338097-1_D.3d_stp.zip](#)

English

By downloading the CAD file I accept and agree to the [Terms and Conditions](#) of use.

Datasheets & Catalog Pages

Micro-MaTch Catalog

English

Ribbon Cable Interconnect Solutions

English

Datasheet - Ev Charging Board Signal Interconnects

English

Centerline Micro-Match Connector Series

English

Product Specifications

micro-match crimp on snap in male on wire connector

English

Application Specification



English

Product Environmental Compliance

Product Compliance

English

Product Compliance

English