

1-2141564-0 ✓ ACTIVE

AMP | MCON Interconnection System

TE Internal #: 1-2141564-0

Housing for Female Terminals, Wire-to-Board / Wire-to-Device, 10

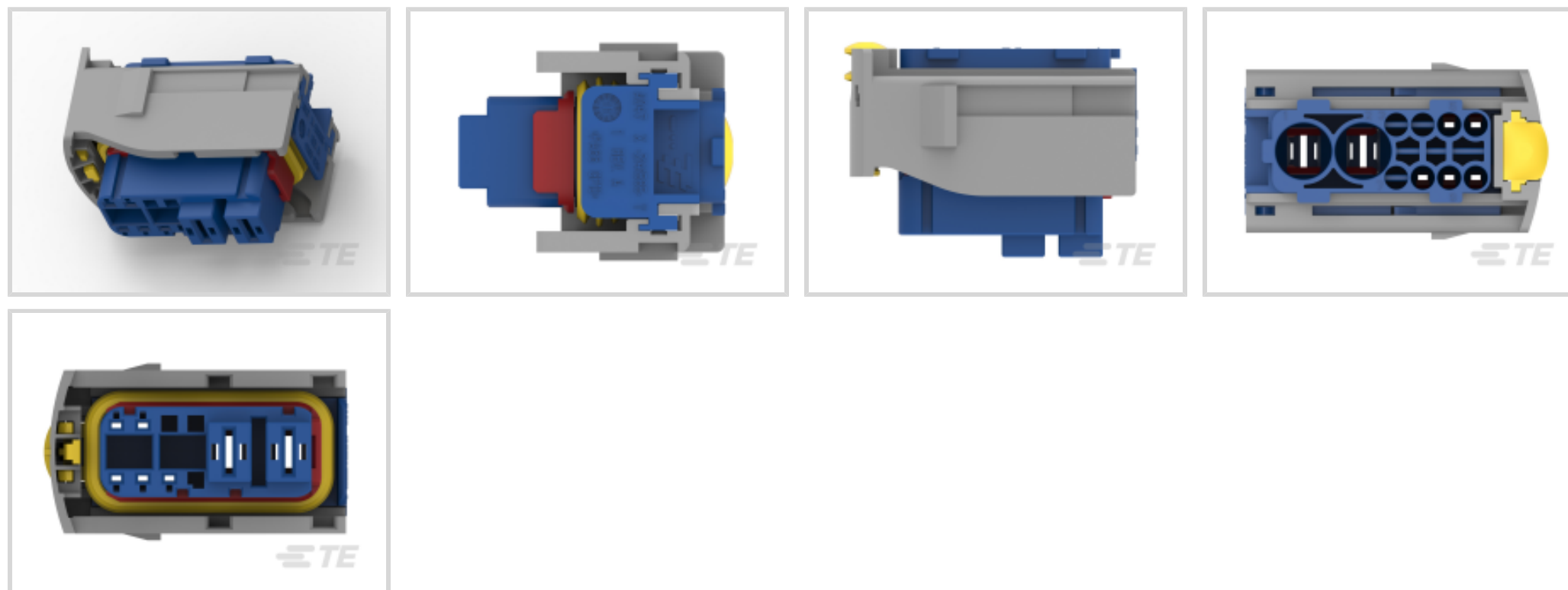
Position, .157 in [4 mm] Centerline, Sealable, Blue, MCON

Interconnection System

[View on TE.com >](#)



Connectors > Automotive Connectors > Connector Housings > MCON, CONNECTOR HOUSING



Connector & Housing Type: **Housing for Female Terminals**

Mating Tab Width: 1.2 mm, 4.8 mm, 5.8 mm, 6.3 mm [.047 in, .189 in, .228 in, .248 in]

Connector System: **Wire-to-Board, Wire-to-Device**

Number of Positions: 10

Centerline (Pitch): 4 mm [.157 in]

[All MCON, CONNECTOR HOUSING \(283\)](#)

Features

Product Type Features

| | |
|---------------------------|-------------------------------|
| Connector & Housing Shape | Rectangular |
| Connector & Housing Type | Housing for Female Terminals |
| Connector System | Wire-to-Board, Wire-to-Device |
| Sealable | Yes |
| Hybrid Connector | Yes |
| Primary Locking Feature | On the Terminal |

Configuration Features

| | |
|-----------------------|----|
| Blank Cavity Position | 3 |
| Number of Positions | 10 |
| Number of Rows | 2 |

Electrical Characteristics

| | |
|-------------------|--------|
| Operating Voltage | 24 VDC |
|-------------------|--------|



| | |
|------------------------------|------------|
| Nominal Voltage Architecture | 12 V, 24 V |
|------------------------------|------------|

Body Features

| | |
|-----------------------|-------|
| Cable Exit Angle | 180° |
| Body Material | PA GF |
| Primary Product Color | Blue |

Contact Features

| | |
|------------------|---|
| Contact Size | 1.2mm, 4.8mm, 6.3mm |
| Contact Type | Receptacle |
| Mating Tab Width | 1.2 mm, 4.8 mm, 5.8 mm, 6.3 mm [.047 in][.189 in][.228 in][.248 in] |

Mechanical Attachment

| | |
|-----------------------------|----------------------------|
| Mounting Feature | Without |
| Terminal Position Assurance | Yes |
| Strain Relief | Without |
| Mating Alignment Type | Polarization Slot |
| Mating Alignment | With |
| Connector Mounting Type | Cable Mount (Free-Hanging) |

Housing Features

| | |
|--------------------|----------------|
| Centerline (Pitch) | 4 mm [.157 in] |
|--------------------|----------------|

Dimensions

| | |
|--------------------|--------------------|
| Product Width | 26.6 mm [1.047 in] |
| Product Length | 45.8 mm [1.803 in] |
| Product Height | 32.6 mm [1.283 in] |
| Row-to-Row Spacing | 6 mm [.236 in] |

Usage Conditions

| | |
|-----------------------------|--|
| Operating Temperature (Max) | 70 °C, 75 °C, 80 °C, 85 °C, 90 °C, 100 °C, 105 °C [158 °F][167 °F][176 °F][185 °F][194 °F][212 °F][221 °F] |
| Operating Temperature Range | -40 – 105 °C [-40 – 221 °F] |

Operation/Application

| | |
|---------------------|----------------|
| Circuit Application | Power & Signal |
|---------------------|----------------|

Industry Standards

| | |
|----------------------|------|
| Degree of Protection | IP67 |
|----------------------|------|



UL Flammability Rating

UL 94V-0

Other

Serviceable

No

Connector Position Assurance Capable

Yes

Product Compliance

[For compliance documentation, visit the product page on TE.com>](#)

EU RoHS Directive 2011/65/EU

Compliant

EU ELV Directive 2000/53/EC

Compliant

China RoHS 2 Directive MIIT Order No 32, 2016

No Restricted Materials Above Threshold

EU REACH Regulation (EC) No. 1907/2006

Current ECHA Candidate List: JAN 2022 (223)
 Candidate List Declared Against: JUL 2021 (219)
 SVHC > Threshold:
 Not Yet Reviewed

Halogen Content

Low Halogen - Br, Cl, F, I < 900 ppm per homogenous material. Also BFR/CFR/PVC Free

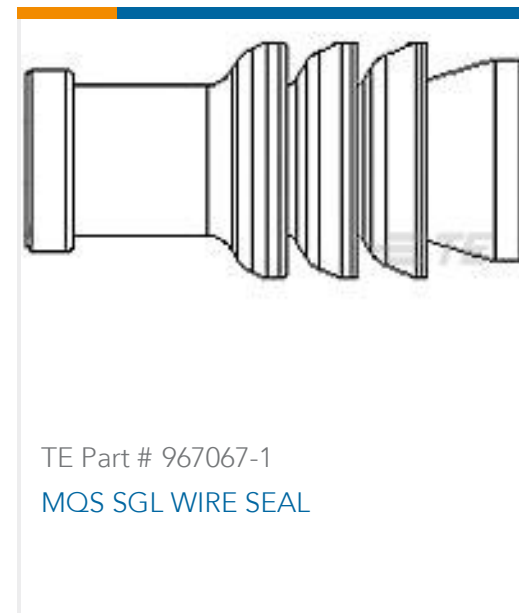
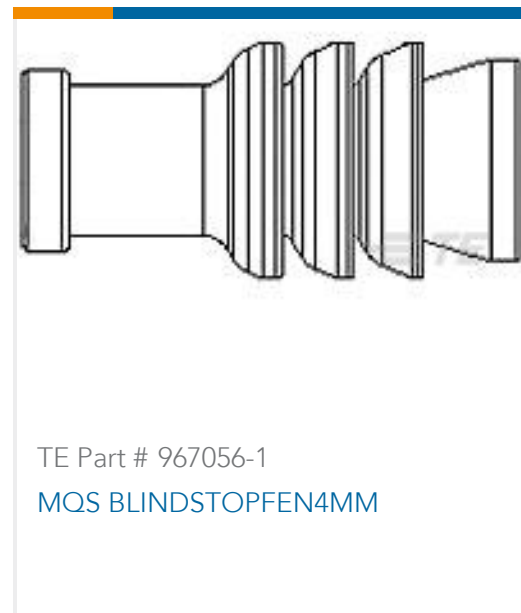
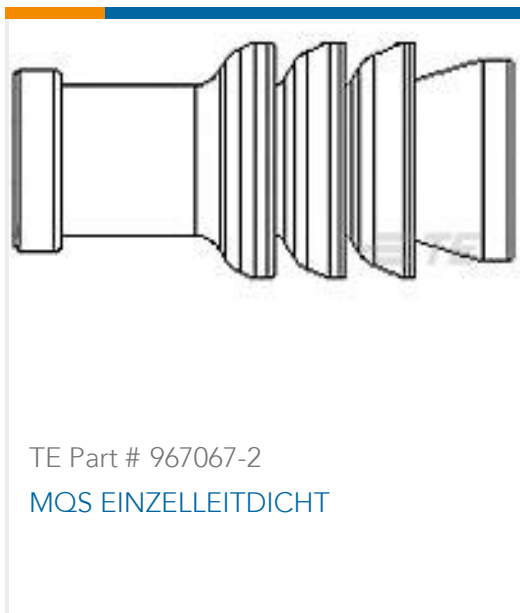
Solder Process Capability

Not applicable for solder process capability

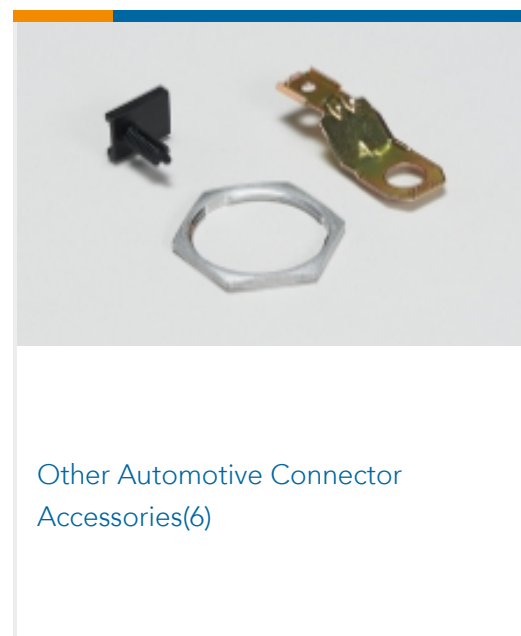
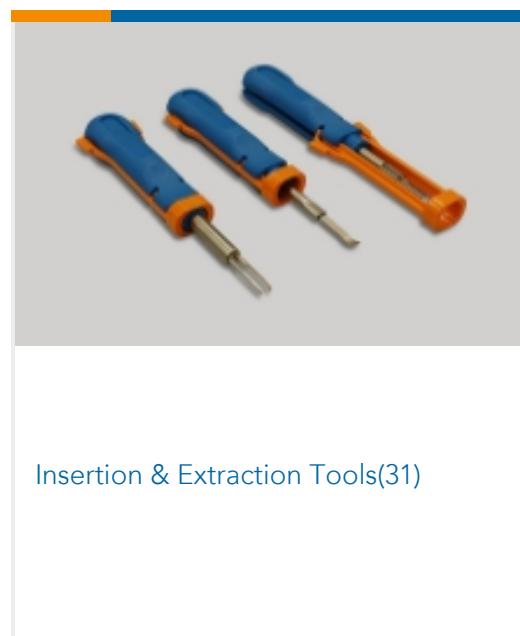
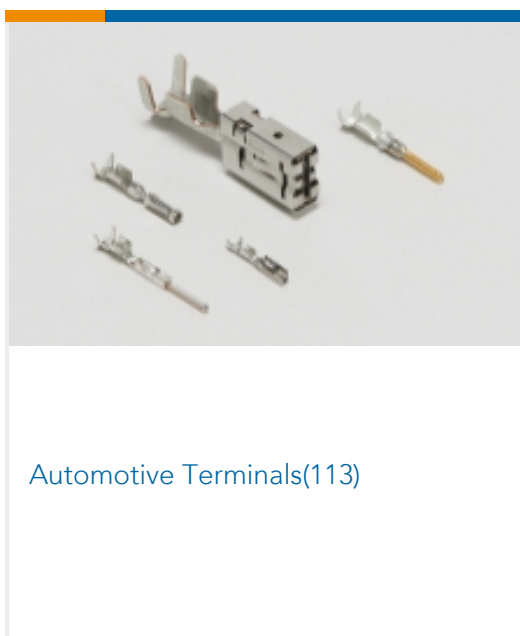
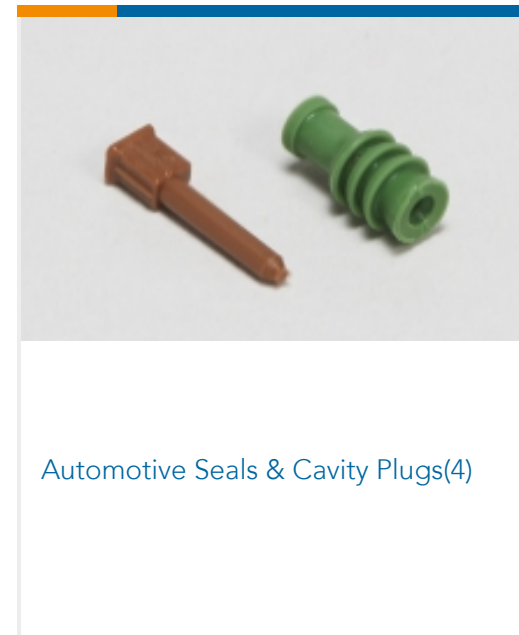
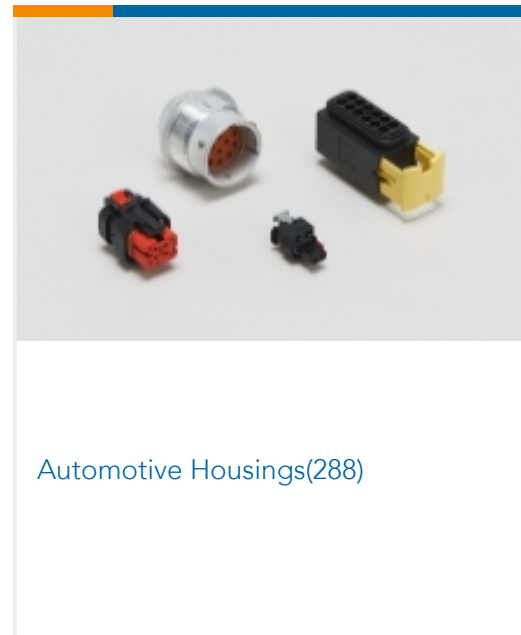
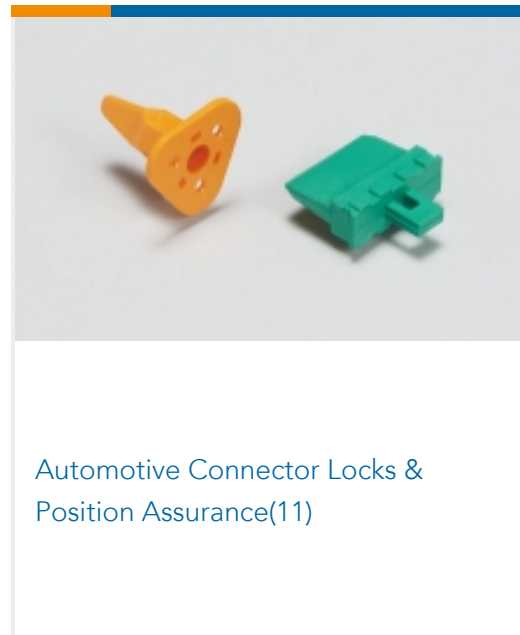
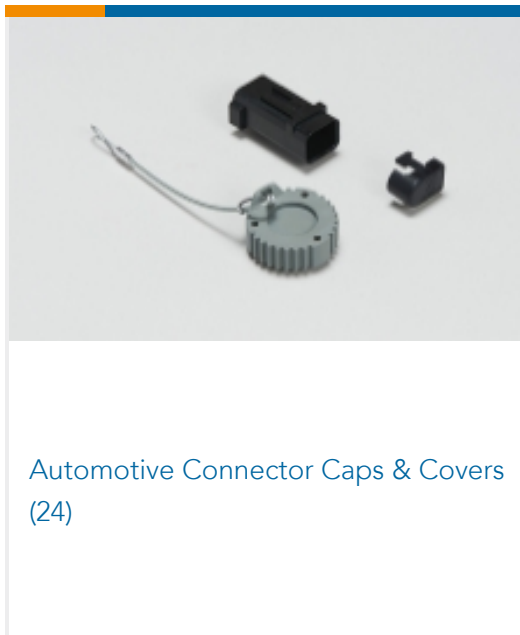
Product Compliance Disclaimer

This information is provided based on reasonable inquiry of our suppliers and represents our current actual knowledge based on the information they provided. This information is subject to change. The part numbers that TE has identified as EU RoHS compliant have a maximum concentration of 0.1% by weight in homogenous materials for lead, hexavalent chromium, mercury, PBB, PBDE, DBP, BBP, DEHP, DIBP, and 0.01% for cadmium, or qualify for an exemption to these limits as defined in the Annexes of Directive 2011/65/EU (RoHS2). Finished electrical and electronic equipment products will be CE marked as required by Directive 2011/65/EU. Components may not be CE marked. Additionally, the part numbers that TE has identified as EU ELV compliant have a maximum concentration of 0.1% by weight in homogenous materials for lead, hexavalent chromium, and mercury, and 0.01% for cadmium, or qualify for an exemption to these limits as defined in the Annexes of Directive 2000/53/EC (ELV). Regarding the REACH Regulation, the information TE provides on SVHC in articles for this part number is based on the latest European Chemicals Agency (ECHA) 'Guidance on requirements for substances in articles' posted at this URL: <https://echa.europa.eu/guidance-documents/guidance-on-reach>

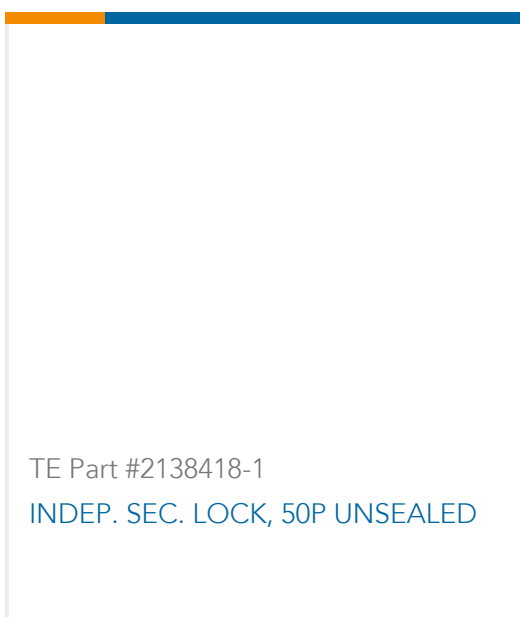
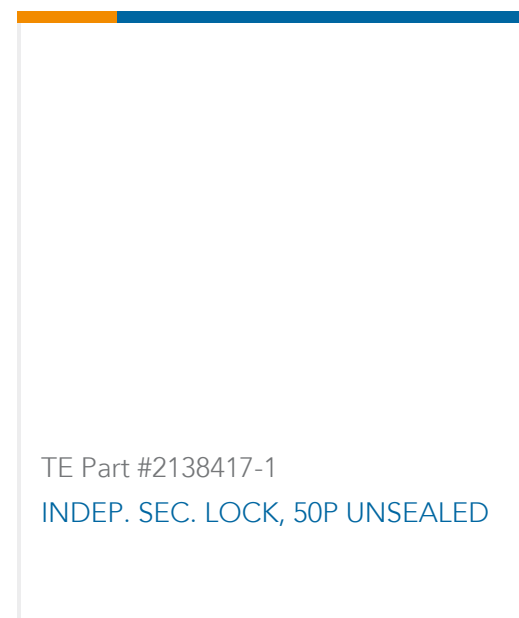
Compatible Parts



Also in the Series | MCON Interconnection System



Customers Also Bought





Documents

Product Drawings

[10POS, MIXED, REC HSG, ASSY, SEALED, BU](#)

English

CAD Files

Customer View Model

[ENG_CVM_CVM_1-2141564-0_A.2d_dxf.zip](#)

English

[3D PDF](#)

3D

Customer View Model

[ENG_CVM_CVM_1-2141564-0_A.3d_igs.zip](#)

English

Customer View Model

[ENG_CVM_CVM_1-2141564-0_A.3d_stp.zip](#)

English

By downloading the CAD file I accept and agree to the [Terms and Conditions](#) of use.

Datasheets & Catalog Pages

[MCON Interconnection System](#)

English

Product Specifications

[Product Specification](#)

English

Product Environmental Compliance

[Product Compliance](#)

English

[Product Compliance](#)

English

Instruction Sheets

[Instruction Sheet \(non U.S.\)](#)

English