



Connectors > RF Coax Connectors > RF Coax Accessories > RF Connector Hardware



RF Connector Hardware Type: **Lockwasher**

## Features

### Product Type Features

RF Connector Hardware Type	Lockwasher
----------------------------	------------

### Body Features

Body Material	Phosphor Bronze
Body Plating Material	Nickel

### Operation/Application

For Use With	BNC Connector
--------------	---------------

### Packaging Features

Packaging Method	Box & Carton
Packaging Quantity	1000

## Product Compliance

[For compliance documentation, visit the product page on TE.com>](#)

EU RoHS Directive 2011/65/EU	Compliant
EU ELV Directive 2000/53/EC	Compliant
China RoHS 2 Directive MIIT Order No 32, 2016	No Restricted Materials Above Threshold
EU REACH Regulation (EC) No. 1907/2006	Current ECHA Candidate List: JAN 2022 (223) Candidate List Declared Against: JAN 2022 (223) Does not contain REACH SVHC

Halogen Content

Low Halogen - Br, Cl, F, I < 900 ppm per homogenous material. Also BFR/CFR/PVC Free

Solder Process Capability

Not applicable for solder process capability

Product Compliance Disclaimer

This information is provided based on reasonable inquiry of our suppliers and represents our current actual knowledge based on the information they provided. This information is subject to change. The part numbers that TE has identified as EU RoHS compliant have a maximum concentration of 0.1% by weight in homogenous materials for lead, hexavalent chromium, mercury, PBB, PBDE, DBP, BBP, DEHP, DIBP, and 0.01% for cadmium, or qualify for an exemption to these limits as defined in the Annexes of Directive 2011/65/EU (RoHS2). Finished electrical and electronic equipment products will be CE marked as required by Directive 2011/65/EU. Components may not be CE marked. Additionally, the part numbers that TE has identified as EU ELV compliant have a maximum concentration of 0.1% by weight in homogenous materials for lead, hexavalent chromium, and mercury, and 0.01% for cadmium, or qualify for an exemption to these limits as defined in the Annexes of Directive 2000/53/EC (ELV). Regarding the REACH Regulation, the information TE provides on SVHC in articles for this part number is based on the latest European Chemicals Agency (ECHA) 'Guidance on requirements for substances in articles' posted at this URL: <https://echa.europa.eu/guidance-documents/guidance-on-reach>

## Compatible Parts



TE Part # 1-329631-2  
JAM NUT, PLATED



TE Part # 1-329492-1  
LOCK WASHER COAXICON



TE Part # 227223-1  
PANEL INSULATING BUSHING



TE Part # 330620  
INSUL BUSHING BNC BLKHD PHEN



TE Part # 5414105-1  
JACK, ADAPTER, BHD, ISOLATED BNC

## Customers Also Bought



TE Part #292175-6  
CT Box Header SMT: Vert, Shrouded



TE Part #1734260-2  
1.25 WTB HDR SMT, 2 POS



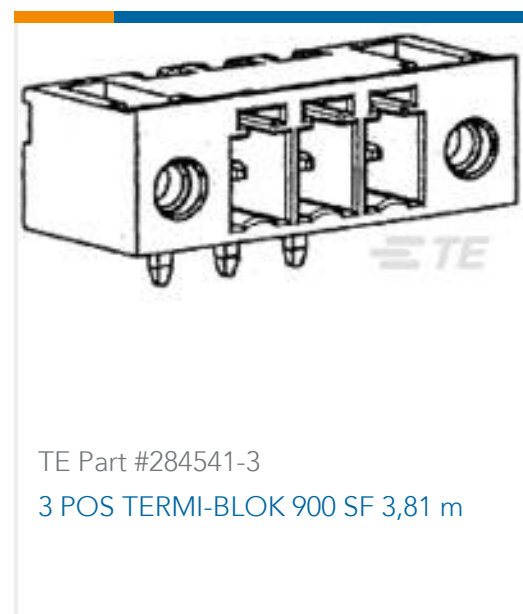
TE Part #2199249-4  
Shield Finger, Loose Piece, Type B, 2.3 h



TE Part #7-1393114-5  
KUHP-11D17-24=KU



TE Part #5-2176337-4  
CRGCQ 0402 270K 1%



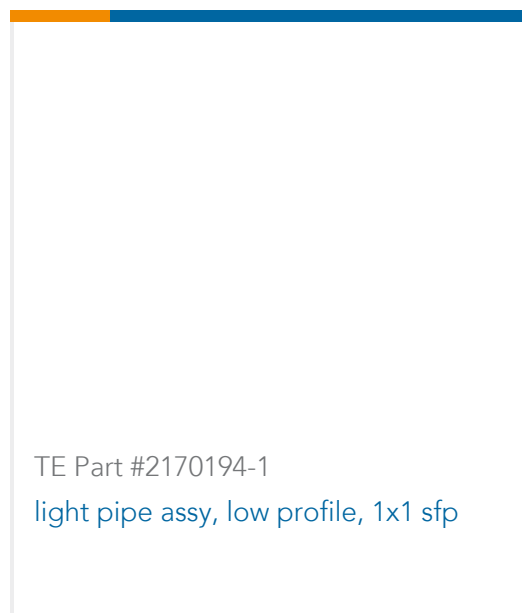
TE Part #284541-3  
3 POS TERMI-BLOK 900 SF 3,81 m



TE Part #1-5406721-3  
MJ,RJ45,SMT,BLACK,22" REEL,30 Au



TE Part #3-641229-5  
05P MTA156 CONN ASSY 22AWG LF



TE Part #2170194-1  
light pipe assy, low profile, 1x1 sfp

## Documents

### Product Drawings

#### LOCKWASHER, PLATED

English

### CAD Files

#### 3D PDF

3D

#### Customer View Model

[ENG\\_CVM\\_CVM\\_1-329632-2\\_AC.2d\\_dxf.zip](#)

English

#### Customer View Model

[ENG\\_CVM\\_CVM\\_1-329632-2\\_AC.3d\\_igs.zip](#)

English

#### Customer View Model

[ENG\\_CVM\\_CVM\\_1-329632-2\\_AC.3d\\_stp.zip](#)

English

By downloading the CAD file I accept and agree to the [Terms and Conditions](#) of use.

### Datasheets & Catalog Pages

#### BNC Connectors

English

### Product Environmental Compliance

[MD\\_1-329632-2\\_05292018057\\_dmtec](#)

English

[MD\\_1-329632-2\\_05292018057\\_dmtec](#)

English

