



AMP-LATCH

TE Internal #: 1-499252-3

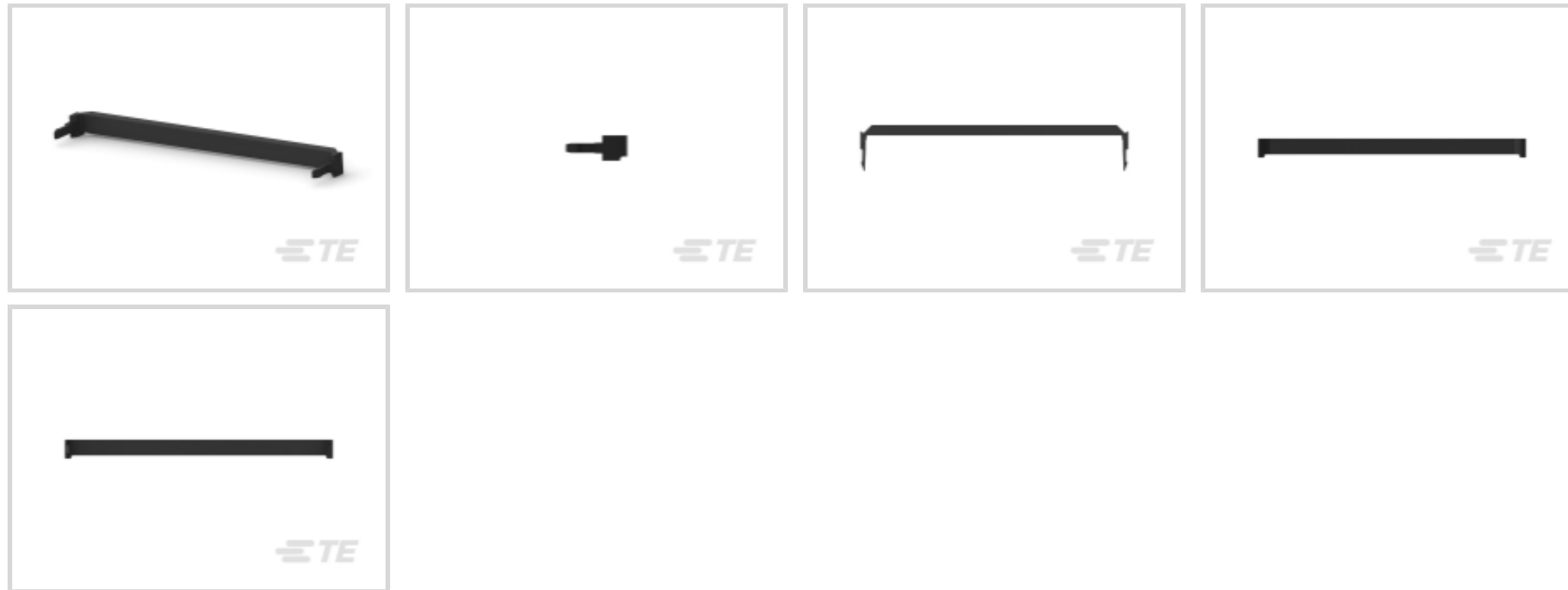
TE Internal Description: 064 STRAIN RELIEF A-L RCPT

Bus Connector: Strain Relief, ATA

[View on TE.com >](#)

Connectors > PCB Connectors > Wire-to-Board Connectors > FFC, FPC & Ribbon Connectors > Ribbon Connector Accessories >

Bus Connector: Strain Relief, ATA



Flat Flexible Cable Accessory Type: **Strain Relief**

Number of Positions: **64**

[All Bus Connector: Strain Relief, ATA \(13\)](#)

Features

Product Type Features

Flat Flexible Cable Accessory Type	Strain Relief
------------------------------------	---------------

Configuration Features

Number of Positions	64
---------------------	----

Body Features

Primary Product Material	Thermoplastic
Primary Product Color	Black

Dimensions

Product Width	6.1 mm[.24 in]
Product Length	86.11 mm[3.39 in]
Product Height	14.76 mm[.581 in]

Industry Standards

CSA File Number	LR 7189
Agency/Standard	CSA, UL
UL Rating	Recognized



UL File Number E28476

### Packaging Features

Packaging Quantity	1
Packaging Method	Bag & Box

### Other

Comment	Receptacle Connector
---------	----------------------

### Product Compliance

[For compliance documentation, visit the product page on TE.com>](#)

EU RoHS Directive 2011/65/EU	Compliant
EU ELV Directive 2000/53/EC	Compliant
China RoHS 2 Directive MIIT Order No 32, 2016	No Restricted Materials Above Threshold
EU REACH Regulation (EC) No. 1907/2006	Current ECHA Candidate List: JAN 2022 (223) Candidate List Declared Against: JAN 2022 (223) Does not contain REACH SVHC
Halogen Content	Not Low Halogen - contains Br or Cl > 900 ppm.
Solder Process Capability	Not applicable for solder process capability

#### Product Compliance Disclaimer

This information is provided based on reasonable inquiry of our suppliers and represents our current actual knowledge based on the information they provided. This information is subject to change. The part numbers that TE has identified as EU RoHS compliant have a maximum concentration of 0.1% by weight in homogenous materials for lead, hexavalent chromium, mercury, PBB, PBDE, DBP, BBP, DEHP, DIBP, and 0.01% for cadmium, or qualify for an exemption to these limits as defined in the Annexes of Directive 2011/65/EU (RoHS2). Finished electrical and electronic equipment products will be CE marked as required by Directive 2011/65/EU. Components may not be CE marked. Additionally, the part numbers that TE has identified as EU ELV compliant have a maximum concentration of 0.1% by weight in homogenous materials for lead, hexavalent chromium, and mercury, and 0.01% for cadmium, or qualify for an exemption to these limits as defined in the Annexes of Directive 2000/53/EC (ELV). Regarding the REACH Regulation, the information TE provides on SVHC in articles for this part number is based on the latest European Chemicals Agency (ECHA) 'Guidance on requirements for substances in articles' posted at this URL: <https://echa.europa.eu/guidance-documents/guidance-on-reach>

### Compatible Parts



TE Part # CAT-AM74-UN384H  
AMP-LATCH UNIVERSAL HEADERS



TE Part # 1-1658621-2  
64 NOVO MIL/CTR 15DP, LEAD FREE



TE Part # 1-1658622-2  
64 NOVO MIL/CTR 30DP, LEAD FREE



TE Part # 1-1658620-2  
064 NOVO MIL 15DP FT



TE Part # 2-111446-6  
064 UNIV I/O 30DP NO EARS



TE Part # 3-1761606-7  
IDC LOW PRO HDR 64P VERT LG LA



TE Part # 3-1761607-7  
IDC LOW PRO HDR 64P RA LG LAT



TE Part # 3-1761603-7  
IDC LOW PRO HDR 64P VERT BLUE



TE Part # 1-1761681-7  
IDC LOW PRO HDR 64P VERT HT BLACK



TE Part # 2-111504-6  
064 UNIV I/O 30DP NO EARS LTCH

### Customers Also Bought



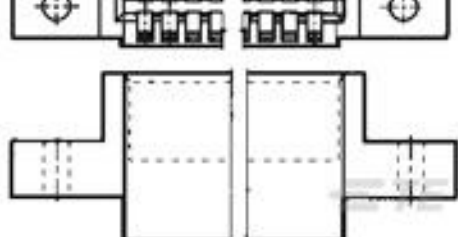
TE Part #499252-3  
026 STRAIN RELIEF A-L RCPT



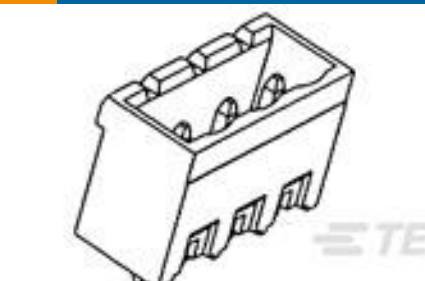
TE Part #1462038-1  
IM02CGR=140MW 4.5V HDV



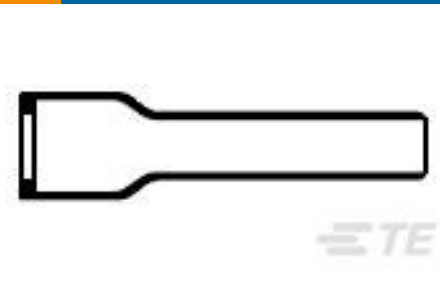
TE Part #8-2176231-3  
3522 27K 1% 3W



TE Part #2-583718-7  
TW-LEAF CRP HSG 32 POS 100C/L



TE Part #796980-4  
4 POS TERMI-BLOK VERT HDR 7.62



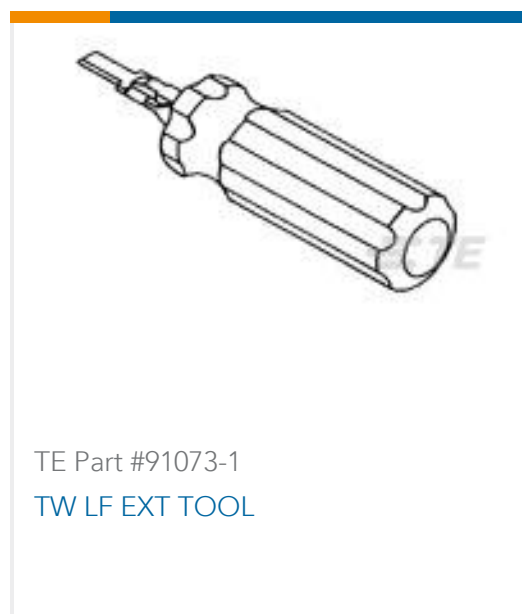
TE Part #807071-000  
202D232-3/42-0



TE Part #1-66740-1  
TYPE XII FEMALE CONT (STRIP)



TE Part #66256-4  
MALE CONTACT ASSY (STRIP)



## Documents

### Product Drawings

[064 STRAIN RELIEF A-L RCPT](#)

English

### CAD Files

Customer View Model

[ENG\\_CVM\\_CVM\\_1-499252-3\\_AL.2d\\_dxf.zip](#)

English

[3D PDF](#)

3D

Customer View Model

[ENG\\_CVM\\_CVM\\_1-499252-3\\_AL.3d\\_igs.zip](#)

English

Customer View Model

[ENG\\_CVM\\_CVM\\_1-499252-3\\_AL.3d\\_stp.zip](#)

English

By downloading the CAD file I accept and agree to the [Terms and Conditions](#) of use.

### Datasheets & Catalog Pages

[Ribbon Cable Interconnect Solutions](#)

English

### Product Specifications

[Application Specification](#)

English

### Product Environmental Compliance

[TE Material Declaration](#)

English