

1-480285-0 ✓ ACTIVE

MATE-N-LOK | Commercial MATE-N-LOK

TE Internal #: 1-480285-0

Rectangular Power Connectors, Housing, Plug, Wire-to-Wire, 10
Position, .195 in [4.95 mm] Centerline, Wire & Cable, UL 94V-2,
Commercial MATE-N-LOK

[View on TE.com >](#)



Connectors > Power Connectors > Rectangular Power > Rectangular Power Connectors



Rectangular Power Connector Type: **Housing**

Connector & Housing Type: **Plug**

Connector System: **Wire-to-Wire**

Number of Positions: **10**

Centerline (Pitch): **4.95 mm [.195 in]**

Features

Product Type Features

| | |
|-----------------------------------|--------------|
| Rectangular Power Connector Type | Housing |
| Connector & Housing Type | Plug |
| Connector System | Wire-to-Wire |
| Sealable | No |
| Connector & Contact Terminates To | Wire & Cable |

Configuration Features

| | |
|---------------------|----|
| Number of Positions | 10 |
| Number of Rows | 2 |

Electrical Characteristics

| | |
|-------------------|---------|
| Operating Voltage | 250 VAC |
|-------------------|---------|

Contact Features

| | |
|----------------------------------|---------|
| Contact Retention Within Housing | Without |
| Contact Type | Socket |



Termination Features

| | |
|------------------------------------|-------|
| Termination Method to Wire & Cable | Crimp |
|------------------------------------|-------|

Mechanical Attachment

| | |
|-------------------------|----------------------------|
| Panel Mount Feature | Without |
| Connector Mounting Type | Cable Mount (Free-Hanging) |

Housing Features

| | |
|--------------------|-------------------|
| Centerline (Pitch) | 4.95 mm [.195 in] |
| Housing Color | Natural |
| Housing Material | Nylon |

Dimensions

| | |
|--------------------|------------------|
| Row-to-Row Spacing | 9.14 mm [.36 in] |
|--------------------|------------------|

Usage Conditions

| | |
|-----------------------------|-----------------------------|
| Operating Temperature Range | -55 – 105 °C [-67 – 221 °F] |
|-----------------------------|-----------------------------|

Operation/Application

| | |
|---------------------|----------------|
| Circuit Application | Power & Signal |
|---------------------|----------------|

Identification Marking

| | |
|--------------------------------|------|
| Circuit Identification Feature | With |
|--------------------------------|------|

Industry Standards

| | |
|------------------------|-------------------------------|
| UL Flammability Rating | UL 94V-2 |
| Glow Wire Rating | Standard Part - Not Glow Wire |
| UL Rating | Certified, Recognized |
| Agency/Standard Number | E28476 |
| CSA File Number | LR16455 |
| VDE Tested | No |
| Agency/Standard | CSA, UL |

Packaging Features

| | |
|--------------------|-----|
| Packaging Method | Bag |
| Packaging Quantity | 1 |

Other

| | |
|--------------|-------------------|
| For Use With | Pin (Cap) Housing |
|--------------|-------------------|



Product Compliance

[For compliance documentation, visit the product page on TE.com>](#)

| | |
|---|---|
| EU RoHS Directive 2011/65/EU | Compliant |
| EU ELV Directive 2000/53/EC | Compliant |
| China RoHS 2 Directive MIIT Order No 32, 2016 | No Restricted Materials Above Threshold |
| EU REACH Regulation (EC) No. 1907/2006 | Current ECHA Candidate List: JAN 2022 (223) Candidate List Declared Against: JAN 2022 (223) Does not contain REACH SVHC |
| Halogen Content | Low Halogen - Br, Cl, F, I < 900 ppm per homogenous material. Also BFR/CFR/PVC Free |
| Solder Process Capability | Not applicable for solder process capability |

Product Compliance Disclaimer

This information is provided based on reasonable inquiry of our suppliers and represents our current actual knowledge based on the information they provided. This information is subject to change. The part numbers that TE has identified as EU RoHS compliant have a maximum concentration of 0.1% by weight in homogenous materials for lead, hexavalent chromium, mercury, PBB, PBDE, DBP, BBP, DEHP, DIBP, and 0.01% for cadmium, or qualify for an exemption to these limits as defined in the Annexes of Directive 2011/65/EU (RoHS2). Finished electrical and electronic equipment products will be CE marked as required by Directive 2011/65/EU. Components may not be CE marked. Additionally, the part numbers that TE has identified as EU ELV compliant have a maximum concentration of 0.1% by weight in homogenous materials for lead, hexavalent chromium, and mercury, and 0.01% for cadmium, or qualify for an exemption to these limits as defined in the Annexes of Directive 2000/53/EC (ELV). Regarding the REACH Regulation, the information TE provides on SVHC in articles for this part number is based on the latest European Chemicals Agency (ECHA) 'Guidance on requirements for substances in articles' posted at this URL: <https://echa.europa.eu/guidance-documents/guidance-on-reach>

Compatible Parts

| | | | |
|--|---|--|---|
|  <p>TE Part # 60619-5 CMNL SOK AUBR L/P</p> |  <p>TE Part # 60617-5 CMNL SOK AUBR L/P</p> |  <p>TE Part # 60618-5 CMNL PIN AUBR L/P</p> |  <p>TE Part # 60617-4 CMNL SOK PTPPHBZ L/P</p> |
|--|---|--|---|



TE Part # 350219-1
10P CMNL HDR ASSY PC NATL



TE Part # 61174-1
CMNL PIN L/P PTBR



TE Part # 61173-1
CMNL SOK 30-22 PTBR L/P



TE Part # 1-380991-0
10P CMNL HDR ASSY NATL



TE Part # 60619-1
CMNL SOK PTPBR L/P



TE Part # 60620-1
CMNL PIN 20-14 TPBR L/P



TE Part # 60617-1
CMNL SOK SNBR L/P



TE Part # 60620-4
CMNL PIN 20-14 TPPHBZ L/P



TE Part # 163304-2
MATENLOK SOCKET SDW



TE Part # 163305-2
MATENLOK PIN SDW



TE Part # 60619-4
CMNL SOK PTPPHBZ L/P



TE Part # 61118-5
CMNL PIN 20-14 AUNIBR



TE Part # 61314-6
CMNL SOK S/F 24-18 .0125AUPHBZ



TE Part # 61116-4
CMNL PIN 24-18 PTPHBZ

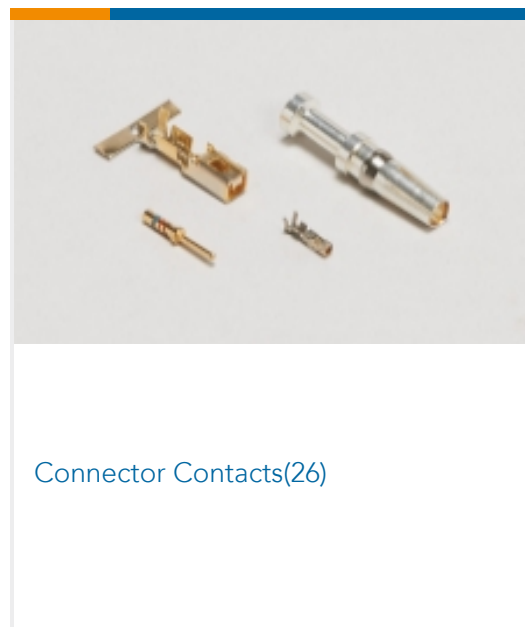


TE Part # 61117-5
CMNL SOK 20-14 AUBR



TE Part # 350557-4
MNL SOK SPECIAL .0125PTPHBZ

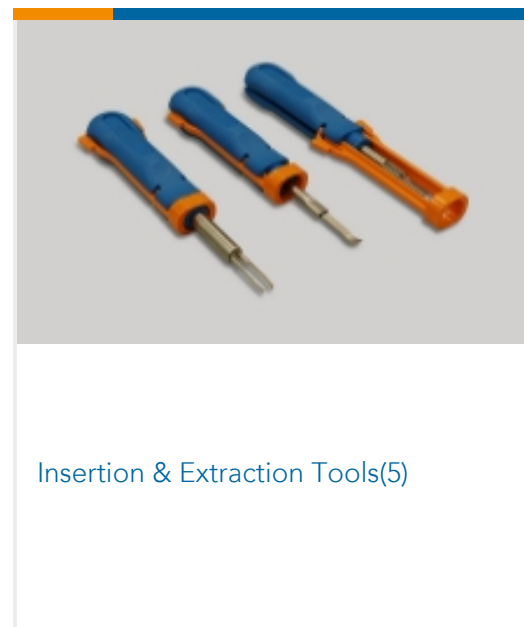
Also in the Series | Commercial MATE-N-LOK



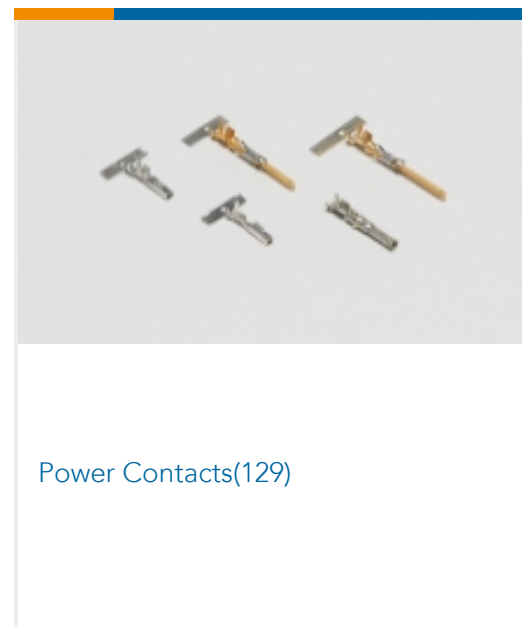
Connector Contacts(26)



Crimp Wire Pins, Tabs & Ferrules(3)



Insertion & Extraction Tools(5)



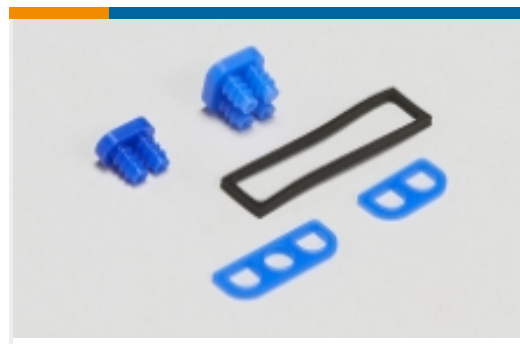
Power Contacts(129)



Rectangular Caps & Covers(2)



Rectangular Connector Housings(17)



Rectangular Connector Seals(1)



Rectangular Power Connectors(170)



Standard Circular Connectors(4)



Standard Rectangular Connectors(10)

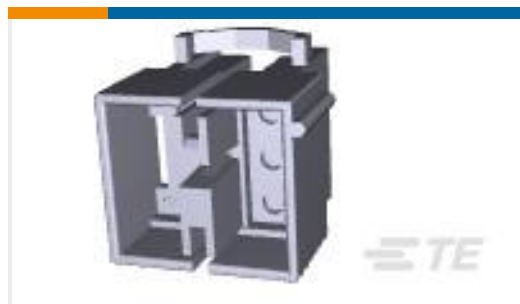


Wire-to-Board Connector Contacts(1)

Customers Also Bought



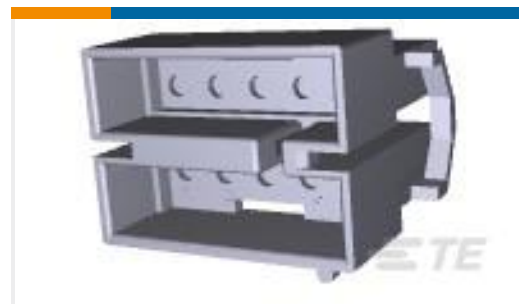
TE Part #1-480345-0
08P CMNL CAP HSG F/H NATL



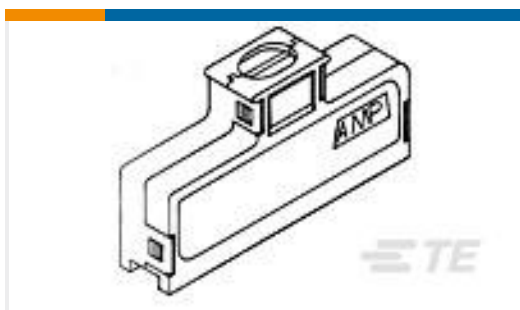
TE Part #1-480340-0
06P CMNL CAP HSG F/H NATL



TE Part #1-480270-0
06P CMNL PLUG HSG M/M NATL



TE Part #1-480286-0
10P CMNL CAP HSG M/M NATL



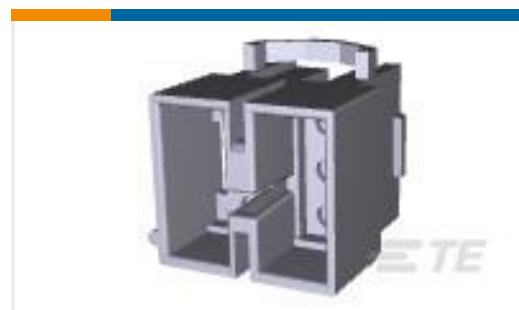
TE Part #552082-1
180 DEG COVER KIT 64 POS



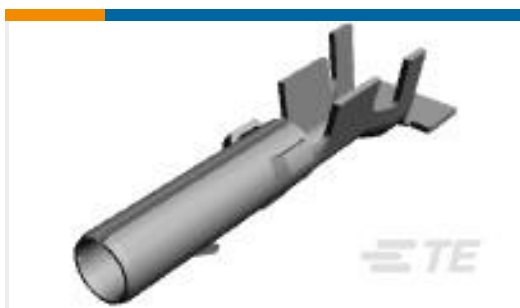
TE Part #4-640620-2
12P MTA100 CONN ASSY F/T RED



TE Part #1-480287-0
12P CMNL PLUG HSG M/M NATL



TE Part #1-480271-0
06P CMNL CAP HSG M/M NATL



TE Part #170121-4
M-N-L SKT



TE Part #2083112-5
CABLE ASSY IND. USB-IND. USB TYPE A

Documents



Product Drawings

10P CMNL PLUG HSG M/M NATL

English

CAD Files

3D PDF

English

Customer View Model

[ENG_CVM_1-480285-0_AA.2d_dxf.zip](#)

English

Customer View Model

[ENG_CVM_1-480285-0_AA.3d_igs.zip](#)

English

Customer View Model

[ENG_CVM_1-480285-0_AA.3d_stp.zip](#)

English

3D PDF

3D

Customer View Model

[ENG_CVM_CVM_1-480285-0_AR.2d_dxf.zip](#)

English

Customer View Model

[ENG_CVM_CVM_1-480285-0_AR.3d_igs.zip](#)

English

Customer View Model

[ENG_CVM_CVM_1-480285-0_AR.3d_stp.zip](#)

English

By downloading the CAD file I accept and agree to the [Terms and Conditions](#) of use.

Datasheets & Catalog Pages

SOFT_SHELL_PIN_SOCKET_CONNECTORS_STANDARD_DENSITY

English

Product Specifications

Application Specification

English

Product Environmental Compliance

[MD_1-480285-0_020620182344_dmtec](#)

English

[MD_1-480285-0_020620182344_dmtec](#)

English

Instruction Sheets

Instruction Sheet (U.S.)

English



[Instruction Sheet \(U.S.\)](#)

Japanese

[Instruction Sheet \(U.S.\)](#)

English

[Instruction Sheet \(U.S.\)](#)

English

[Agency Approvals](#)

[Agency Approval Document](#)

English