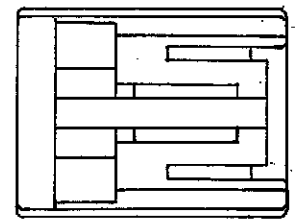
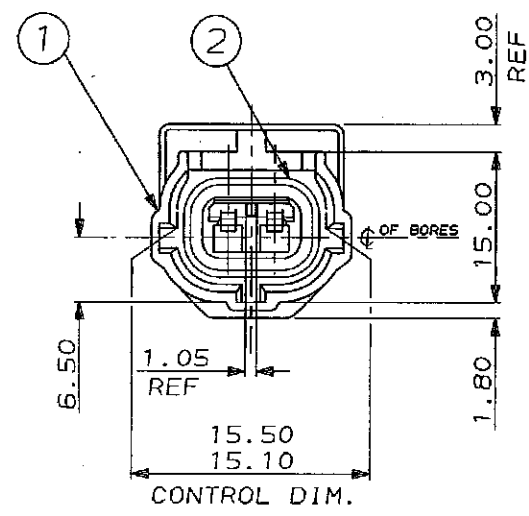
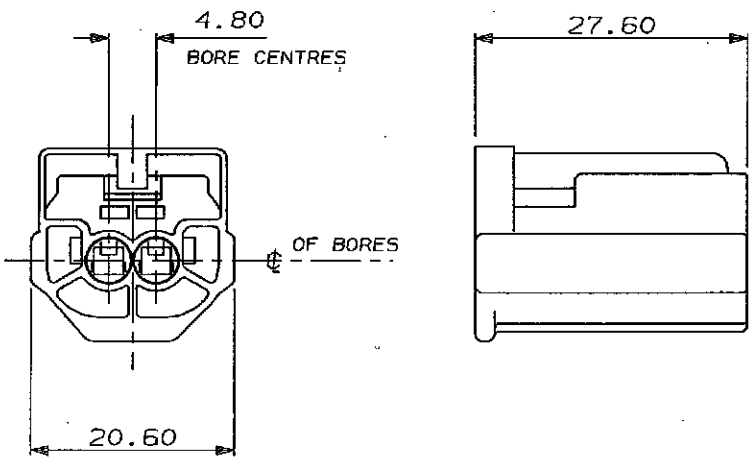
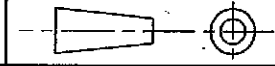
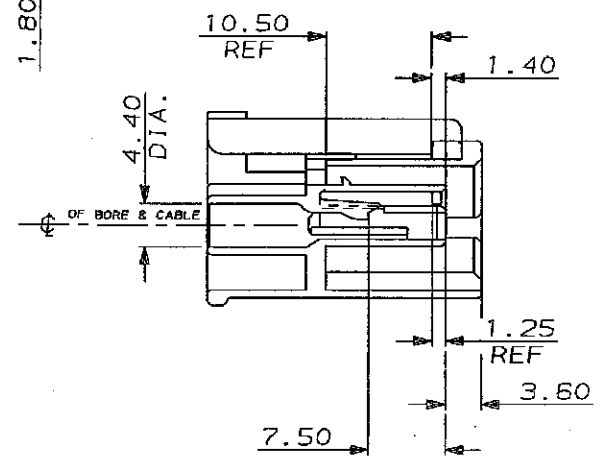


C.A.D. FILE CODE  
5. C344276

DO NOT SCALE DIMENSIONS IN MM.



SCRAP VIEW



SCRAP VIEW (SEAL NOT SHOWN)

2	GREY	NITRILE RUBBER		PERIPHERAL SEAL	1	1-344276-4
1	WHITE	NYLON 66	344275-4	2 WAY REC. HSG.	1	(WHITE)
2	GREY	NITRILE RUBBER		PERIPHERAL SEAL	1	1-344276-3
1	BLUE	NYLON 66	344275-3	2 WAY REC. HSG.	1	(BLUE)
2	GREY	NITRILE RUBBER		PERIPHERAL SEAL	1	1-344276-2
1	RED	NYLON 66	344275-2	2 WAY REC. HSG.	1	(RED)
2	GREY	NITRILE RUBBER		PERIPHERAL SEAL	1	1-344276-1
1	BLACK	NYLON 66	344275-1	2 WAY REC. HSG.	1	(BLACK)
2	ORANGE	SILICONE RUBBER		PERIPHERAL SEAL	1	344276-4
1	WHITE	NYLON 66	344275-4	2 WAY REC. HSG.	1	(WHITE)
2	ORANGE	SILICONE RUBBER		PERIPHERAL SEAL	1	344276-3
1	BLUE	NYLON 66	344275-3	2 WAY REC. HSG.	1	(BLUE)
2	ORANGE	SILICONE RUBBER		PERIPHERAL SEAL	1	344276-2
1	RED	NYLON 66	344275-2	2 WAY REC. HSG.	1	(RED)
2	ORANGE	SILICONE RUBBER		PERIPHERAL SEAL	1	344276-1
1	BLACK	NYLON 66	344275-1	2 WAY REC. HSG.	1	(BLACK)
ITEM No.	COLOR	MATERIAL	PART No.	DESCRIPTION	QTY. PER ASSY.	ASSEMBLY PART No.

CUSTOMER DWG  
FOR REFERENCE ONLY

H	ADDED 1-24/76-1, -2, -3 1-4	EB00-0002-95	9.1.95
G	PER. SEAL NON SILICONE RUBBER	EB00-0230-94	26.4.94
F	PICTOGRAPH CHANGE TO "RESIN" LANKS	C6126	1.4.92
E	CONTROL DIM. AND 15.50/15.15	C5986	9.12.91
D	MOD. AIR. RETENTION	C5953	26.11.91
C	ADDED -4, CON. DIM. 15.46/15.15	C5359	12.9.89
B	UPDATED	C5241	9.5.89
A	UPDATED	C5014	28.7.88
J	VIEW ADDED	6800-0350-97	18.6.97
REV	MODIFICATION	ECN	DATE

© COPYRIGHT 1987 BY AMP OF GREAT BRITAIN LTD. ALL INTERNATIONAL RIGHTS RESERVED. ALL PRODUCTS MAY BE COVERED BY BRITISH AND FOREIGN PATENTS AND/OR PATENTS PENDING.

DR. R. S. 5.11.87  
CH. R. R. APP. B. J.  
AMP of Great Britain Ltd. TERMINAL HOUSE STAMORE MIDDX.

NAME  
2 WAY REC. HSG. ASSY.  
ECONOSEAL 3 LOW CURRENT

SCALE	LOC	SIZE	DWG. No.	REV	SHEET
2/1	E	A3	C344276	J	1/1