

1-929504-2 ✓ ACTIVE

AMP | Junior Power Timer

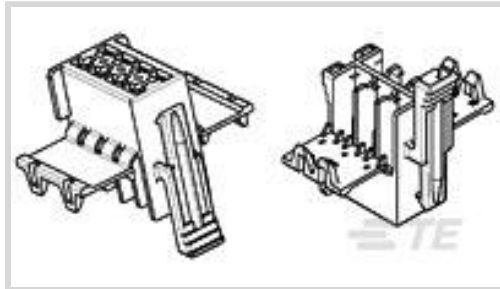
TE Internal #: 1-929504-2

Housing for Female Terminals, Wire-to-Board, 6 Position, .197 in [5 mm] Centerline, Natural, Signal, Cable Mount (Free-Hanging), Junior Power Timer

[View on TE.com >](#)



Connectors > Automotive Connectors > Connector Housings > TIMER, CONNECTOR HOUSING



Connector & Housing Type: **Housing for Female Terminals**

Mating Tab Width: **3 mm [.118 in]**

Connector System: **Wire-to-Board**

Number of Positions: **6**

Centerline (Pitch): **5 mm [.197 in]**

[All TIMER, CONNECTOR HOUSING \(543\)](#)

Features

Product Type Features

Connector & Housing Shape	Rectangular
Connector & Housing Type	Housing for Female Terminals
Connector System	Wire-to-Board
Sealable	No
Hybrid Connector	No
Primary Locking Feature	Integrated in Housing

Configuration Features

Number of Positions	6
Number of Rows	2

Body Features

Cable Exit Angle	180°
Body Material	PBT
Primary Product Color	Natural

Contact Features

Contact Size	2.8mm
Contact Type	Receptacle
Mating Tab Width	3 mm[.118 in]



Mechanical Attachment

Mounting Feature	Without
Terminal Position Assurance	No
Strain Relief	Without
Mating Alignment Type	Polarized
Mating Alignment	With
Connector Mounting Type	Cable Mount (Free-Hanging)

Housing Features

Centerline (Pitch)	5 mm [.197 in]
--------------------	----------------

Dimensions

Product Width	16 mm [.629 in]
Product Length	23.5 mm [.925 in]
Product Height	29.5 mm [1.16 in]
Row-to-Row Spacing	5.6 mm [.22 in]

Operation/Application

Circuit Application	Signal
---------------------	--------

Packaging Features

Packaging Quantity	2000
Packaging Method	Carton

Other

Serviceable	No
Connector Position Assurance Capable	No

Product Compliance

[For compliance documentation, visit the product page on TE.com>](#)

EU RoHS Directive 2011/65/EU	Compliant
EU ELV Directive 2000/53/EC	Compliant
China RoHS 2 Directive MIIT Order No 32, 2016	No Restricted Materials Above Threshold
EU REACH Regulation (EC) No. 1907/2006	Current ECHA Candidate List: JAN 2022 (223) Candidate List Declared Against: JAN 2022 (223) Does not contain REACH SVHC

Halogen Content

Not Low Halogen - contains Br or Cl > 900 ppm.

Solder Process Capability

Not applicable for solder process capability

Product Compliance Disclaimer

This information is provided based on reasonable inquiry of our suppliers and represents our current actual knowledge based on the information they provided. This information is subject to change. The part numbers that TE has identified as EU RoHS compliant have a maximum concentration of 0.1% by weight in homogenous materials for lead, hexavalent chromium, mercury, PBB, PBDE, DBP, BBP, DEHP, DIBP, and 0.01% for cadmium, or qualify for an exemption to these limits as defined in the Annexes of Directive 2011/65/EU (RoHS2). Finished electrical and electronic equipment products will be CE marked as required by Directive 2011/65/EU. Components may not be CE marked. Additionally, the part numbers that TE has identified as EU ELV compliant have a maximum concentration of 0.1% by weight in homogenous materials for lead, hexavalent chromium, and mercury, and 0.01% for cadmium, or qualify for an exemption to these limits as defined in the Annexes of Directive 2000/53/EC (ELV). Regarding the REACH Regulation, the information TE provides on SVHC in articles for this part number is based on the latest European Chemicals Agency (ECHA) 'Guidance on requirements for substances in articles' posted at this URL: <https://echa.europa.eu/guidance-documents/guidance-on-reach>

Compatible Parts



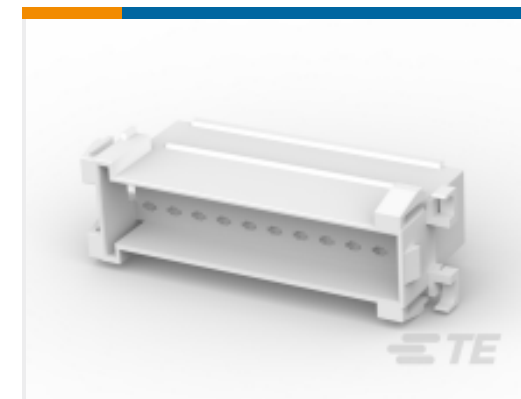
TE Part # CAT-T4827-CH8172
TIMER, CONNECTOR HOUSING



TE Part # CAT-LMPH9507
LOW & MEDIUM POWER HEADER



TE Part # CAT-T4827-T273
TIMER, RECEPTACLE AND TAB



TE Part # 1-929505-7
TAB HSG .110 (2.8 MM) HSG TAB



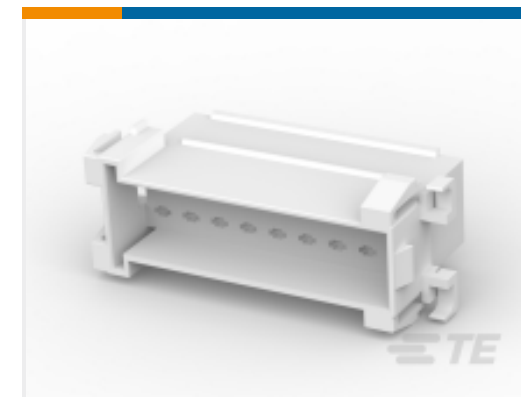
TE Part # 1-929505-2
TAB HSG .110 (2.8 MM) HSG TAB



TE Part # 1-929505-3
TAB HSG .110 (2.8 MM) HSG TAB



TE Part # 1-929505-4
TAB HSG .110 (2.8 MM) HSG TAB



TE Part # 1-929505-6
FF FLA-STE-GEH2X 9P



TE Part # 1-927768-1
JPT REC 2.8 Contact SRC Au



TE Part # 1-929505-5
FF TAB HOUSING 2X 7P

Also in the Series | Junior Power Timer



Automotive Connector Caps & Covers (5)



Automotive Housings(225)



Automotive Seals & Cavity Plugs(10)



Automotive Terminals(82)



Busbars & Terminals(1)



Insertion & Extraction Tools(9)



Module Components(8)



Other Automotive Connector Accessories(1)



PCB Headers & Receptacles(1)

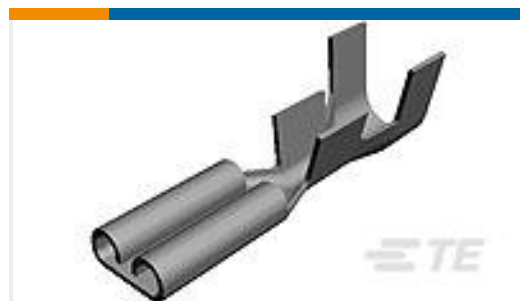
Customers Also Bought



TE Part #2-328998-1
PIDG 16-14 R 5/16; TAPE



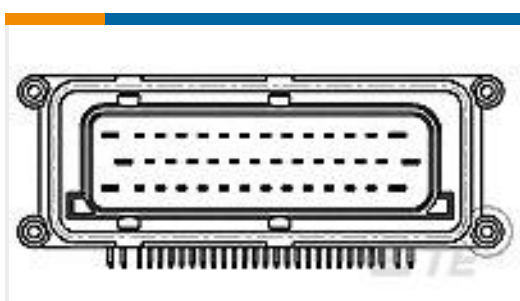
TE Part #1-480704-0
06P UMNL PLUG HSG NATL



TE Part #160533-2
110 FASTON,REC.,20-17 AWG,TPBR



TE Part #170362-4
MINI UNIVERSAL M-N-L SOCKET



TE Part #1-963448-2
2,8MESSERLEISTE 29P



TE Part #929504-6
TIMER, CONNECTOR HOUSING



TE Part #1-1564530-1
15POS, MIXED,TAB HSG,ASSY



TE Part #1-962842-2
TAB 2.8x0.8 CONTACT CS SRC Ag



Documents

CAD Files

Customer View Model

[ENG_CVM_CVM_1-929504-2_N.2d_dxf.zip](#)

English

3D PDF

3D

Customer View Model

[ENG_CVM_CVM_1-929504-2_N.3d_igs.zip](#)

English

Customer View Model

[ENG_CVM_CVM_1-929504-2_N.3d_stp.zip](#)

English

By downloading the CAD file I accept and agree to the [Terms and Conditions](#) of use.

Datasheets & Catalog Pages

Timer Interconnection System

English