

1-170823-5 ✓ ACTIVE

FASTON | FASTON 250

TE Internal #: 1-170823-5

Crimp Terminal Housings, Receptacle, Receptacle, 1 Position,
Straight, UL 94V-2, Natural, Soft PVC, -40 – 221 °F [-40 – 105 °C],
FASTON 250

[View on TE.com >](#)



Terminals & Splices > Terminal Housings, Insulation Sleeves & Blocks > Crimp Terminal Housings



Terminal Type: **Receptacle**

Housing Type: **Receptacle**

Number of Positions: **1**

Terminal Orientation: **Straight**

UL Flammability Rating: **UL 94V-2**

Features

Product Type Features

Sealable	No
Housing Type	Receptacle

Configuration Features

Number of Positions	1
---------------------	---

Body Features

Primary Product Color	Natural
-----------------------	---------

Contact Features

Terminal Type	Receptacle
Terminal Orientation	Straight
Contact Mating Retention	Without

Mechanical Attachment

Mating Alignment	Without
------------------	---------

Housing Features

--	--



Housing Material	Soft PVC
------------------	----------

Dimensions

Length	24 mm[.94 in]
Accepts Wire Insulation Diameter Range	1.8 mm[.071 in]

Usage Conditions

Operating Temperature Range	-40 – 105 °C[-40 – 221 °F]
-----------------------------	----------------------------

Industry Standards

UL Flammability Rating	UL 94V-2
------------------------	----------

Product Compliance

[For compliance documentation, visit the product page on TE.com>](#)

EU RoHS Directive 2011/65/EU	Compliant
EU ELV Directive 2000/53/EC	Compliant
China RoHS 2 Directive MIIT Order No 32, 2016	No Restricted Materials Above Threshold
EU REACH Regulation (EC) No. 1907/2006	Current ECHA Candidate List: JAN 2022 (223) Candidate List Declared Against: JAN 2021 (211) SVHC > Threshold: Not Yet Reviewed
Halogen Content	Not Low Halogen - contains Br or Cl > 900 ppm.
Solder Process Capability	Not applicable for solder process capability

Product Compliance Disclaimer

This information is provided based on reasonable inquiry of our suppliers and represents our current actual knowledge based on the information they provided. This information is subject to change. The part numbers that TE has identified as EU RoHS compliant have a maximum concentration of 0.1% by weight in homogenous materials for lead, hexavalent chromium, mercury, PBB, PBDE, DBP, BBP, DEHP, DIBP, and 0.01% for cadmium, or qualify for an exemption to these limits as defined in the Annexes of Directive 2011/65/EU (RoHS2). Finished electrical and electronic equipment products will be CE marked as required by Directive 2011/65/EU. Components may not be CE marked. Additionally, the part numbers that TE has identified as EU ELV compliant have a maximum concentration of 0.1% by weight in homogenous materials for lead, hexavalent chromium, and mercury, and 0.01% for cadmium, or qualify for an exemption to these limits as defined in the Annexes of Directive 2000/53/EC (ELV). Regarding the REACH Regulation, the information TE provides on SVHC in articles for this part number is based on the latest European Chemicals Agency (ECHA) 'Guidance on requirements for substances in articles' posted at this URL: <https://echa.europa.eu/guidance-documents/guidance-on-reach>

Compatible Parts



Also in the Series | **FASTON 250**



Compression Connectors(4)



Crimp Terminal Housings(143)



Insertion & Extraction Tools(6)



Magnet Wire Terminals(1)



PCB Terminals(144)



Quick Disconnects(456)

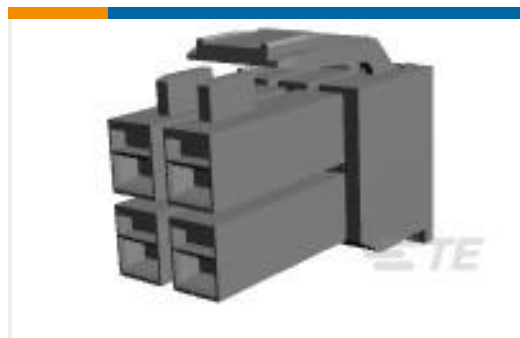


Splices(4)

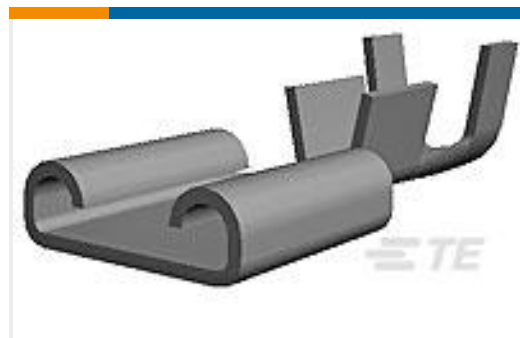
Customers Also Bought



TE Part #61116-4
CMNL PIN 24-18 PTPHBZ



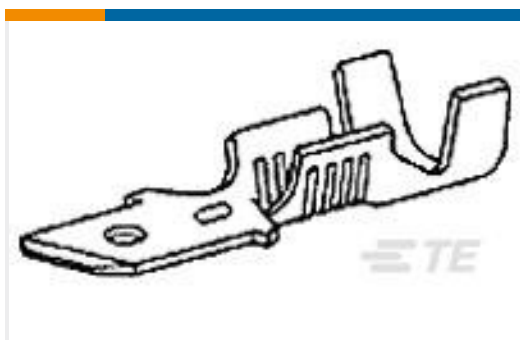
TE Part #176273-1
AMP UNIVERSAL POWR PLUG 4P



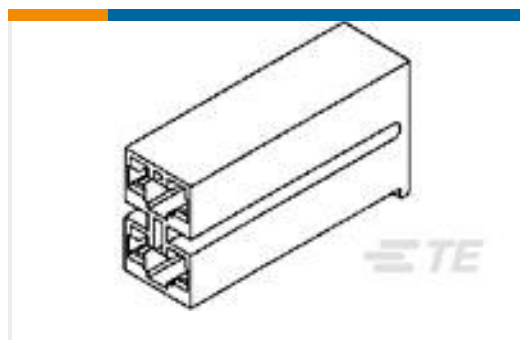
TE Part #170095-1
250 FASTON,REC.,22-18 AWG,TPPB



TE Part #175285-3
DYNAMIC D-3 TAB CONT. M AU 0.76



TE Part #42490-4
187 FASTON TAB 22-18 AWG BR



TE Part #172210-1
POSITIVE LOCK 250 HOUSING RECEPTACLE



TE Part #170923-1
CMNL PLG 2P FREE HNG



TE Part #5413590-8
BNC BLKHD JACK,75 OHM,HEX



TE Part #170084-2
250 FASTON,REC.,18-14 AWG,TPPB

Documents



Product Drawings

[250 FASTON SLEEVE,REC.,TRANSPARENT](#)

English

CAD Files

[3D PDF](#)

3D

Customer View Model

[ENG_CVM_CVM_1-170823-5_F.2d_dxf.zip](#)

English

Customer View Model

[ENG_CVM_CVM_1-170823-5_F.3d_igs.zip](#)

English

Customer View Model

[ENG_CVM_CVM_1-170823-5_F.3d_stp.zip](#)

English

By downloading the CAD file I accept and agree to the [Terms and Conditions](#) of use.

Datasheets & Catalog Pages

[FASTON Housings](#)

English

Product Specifications

[Product Specification](#)

English

Product Environmental Compliance

[MD_1-170823-5_11082017134_dmtec](#)

English

[MD_1-170823-5_11082017134_dmtec](#)

English