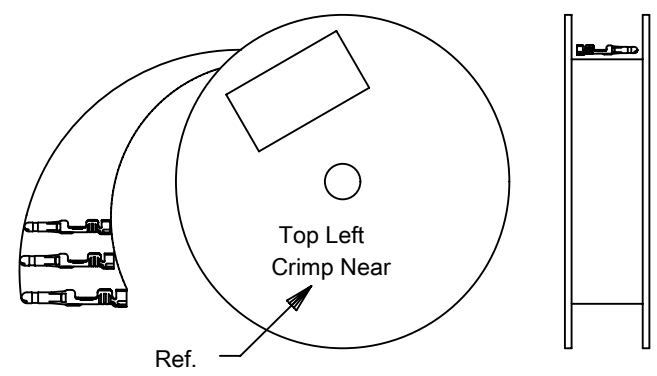
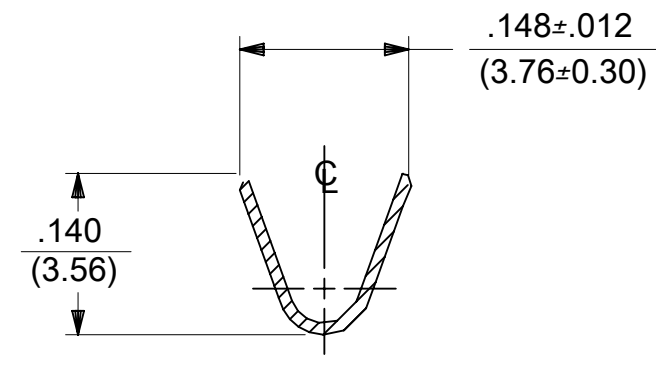
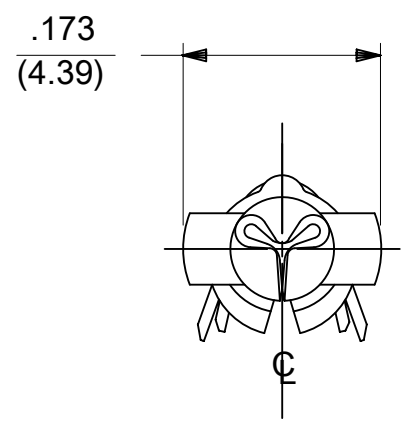


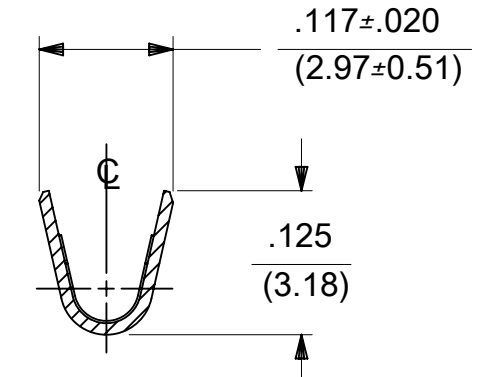
PART NO.	ENG. NO.
02-09-2118	1380-(P901)L
02-09-2116	1380-(P901)
02-09-6123	1380-(550)L
02-09-6122	1380-(550)
02-09-2119	1380-A(P901)L



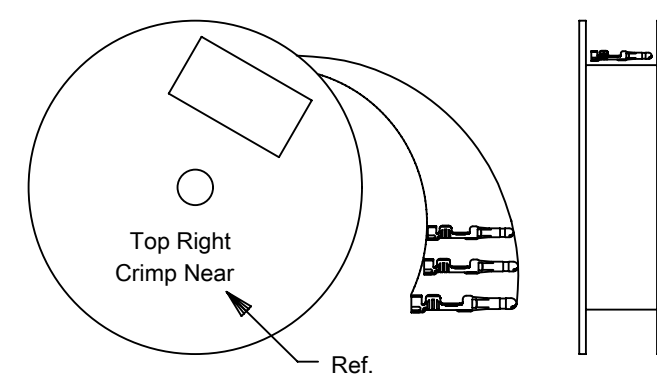
REWOUND CHAIN



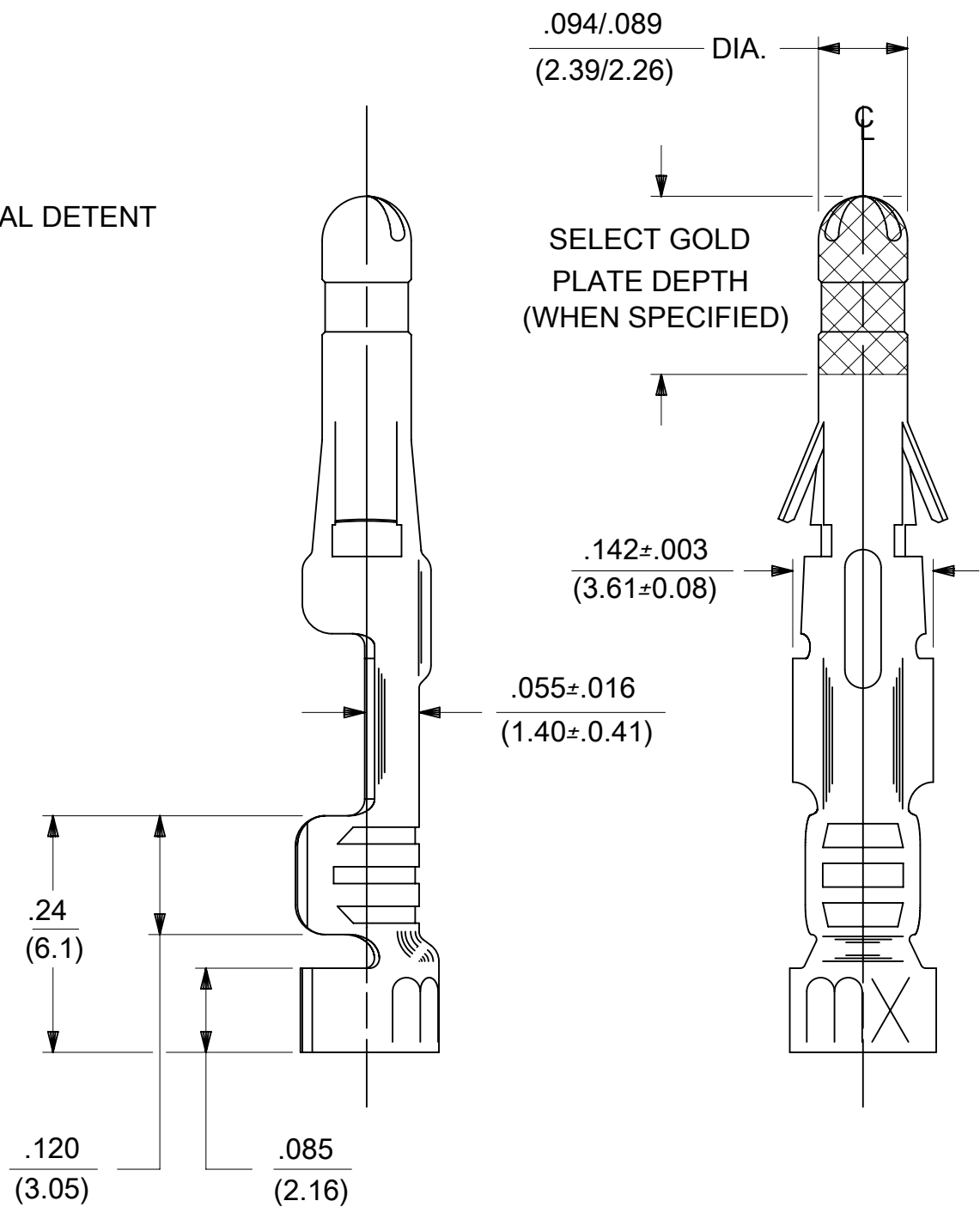
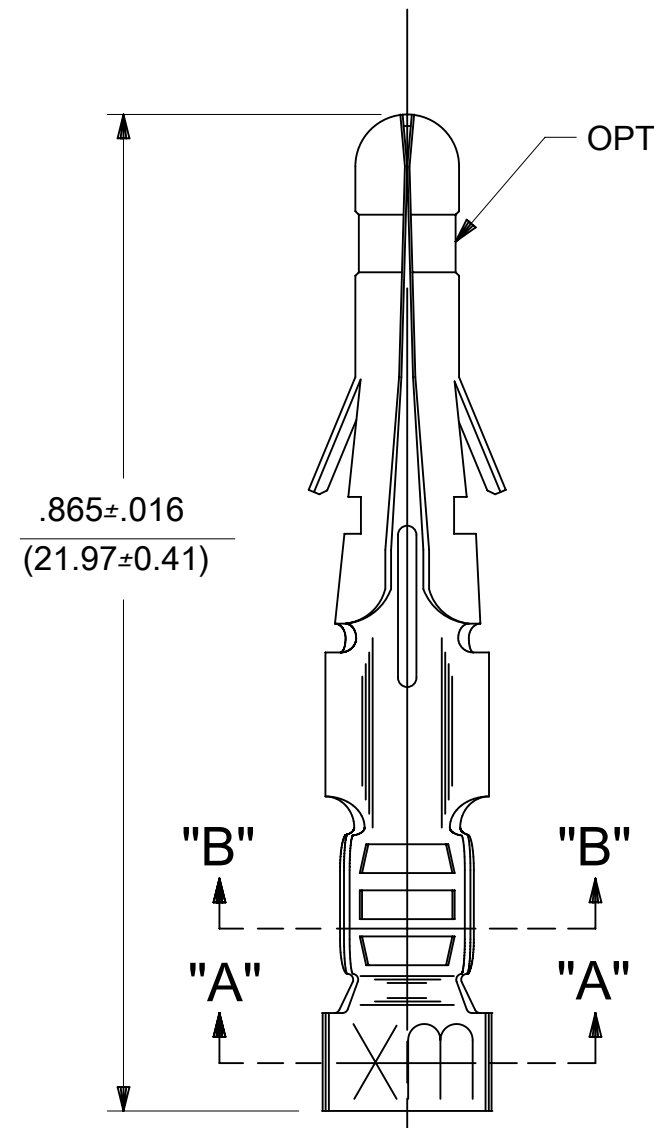
SECT. "A-A"



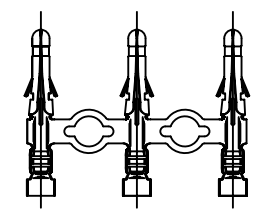
SECT. "B-B"



STANDARD CHAIN



CHAIN FORM FULL SCALE



LEGEND

1380-\*(\*\*\*\*)\*

OPTIONAL DETENT  
BLANK = WITH DETENT  
A = WITHOUT DETENT

FORM  
BLANK = STD. CHAIN  
A = REWOUND CHAIN  
L = LOOSE  
1 = STD. CHAIN WITH INTERLEAF PAPER

P = PREPLATE  
BLANK = POSTPLATE

FINISH CODE  
(SEE NOTE 2)

NOTES:

- MATERIAL: BRASS
- FINISH:
  - 999 UNPLATED
  - 901 HOT TIN DIP .000020/(0.00051) MIN.
  - 591 SELECT GOLD PLATE .000050/(0.00127) MIN. IN CONTACT AREA, OVER .000050/(0.00127) MIN. NICKEL OVERALL WITH .000010/(0.00025) MAX. GOLD FLASH OVERALL.
  - 550 SELECT GOLD PLATE .000015/(0.00038) MIN. IN CONTACT AREA, OVER .000030/(0.00076) MIN. NICKEL OVERALL WITH .000010/(0.00025) MAX. GOLD FLASH OVERALL.
- PRODUCT SPECIFICATION: PS-02-09.
- PACKAGING INFORMATION: NOT AVAILABLE
- TERMINAL FOR USE WITH .093/(2.36) SERIES HOUSINGS AND WILL ACCEPT 18 THRU 22 AWG
- INSERTION FORCE: 3.5 LBS. MAX. WHEN TERMINAL IS INSERTED INTO AN .093 SERIES HOUSING.
- TERMINAL RETENTION: 20 LBS. MIN. FROM HOUSING.

THIS DRAWING CONTAINS INFORMATION THAT IS PROPRIETARY TO MOLEX ELECTRONIC TECHNOLOGIES, LLC AND SHOULD NOT BE USED WITHOUT WRITTEN PERMISSION

DIMENSION UNITS <b>IN/MM</b>		SCALE <b>6:1</b>		CURRENT REV DESC: OBSOLETE PART NUMBER			
GENERAL TOLERANCES (UNLESS SPECIFIED)				EC NO: 637127 DRWN: AKUMAR19 2020/05/07 CHK'D: GGA 2020/05/15 APPR: GGA 2020/05/15 INITIAL REVISION: DRWN: GEP 1987/11/06 APPR: RAS 1987/11/06			
	MM		INCH				
4 PLACES	±		±				
3 PLACES	±		± 0.01				
2 PLACES	± 0.25		± 0.14				
1 PLACE	± 0.35		±				
0 PLACES	±		±				
ANGULAR TOL ± 0.5 °		DRAFT WHERE APPLICABLE MUST REMAIN WITHIN DIMENSIONS		THIRD ANGLE PROJECTION		DRAWING SERIES <b>C-SIZE 1380</b>	
DOCUMENT NUMBER <b>SD-1380-X</b>		DOC TYPE <b>PSD</b>		DOC PART <b>001</b>		REVISION <b>BW</b>	
MATERIAL NUMBER SEE TABLE		CUSTOMER GENERAL MARKET		SHEET NUMBER 1 OF 1			