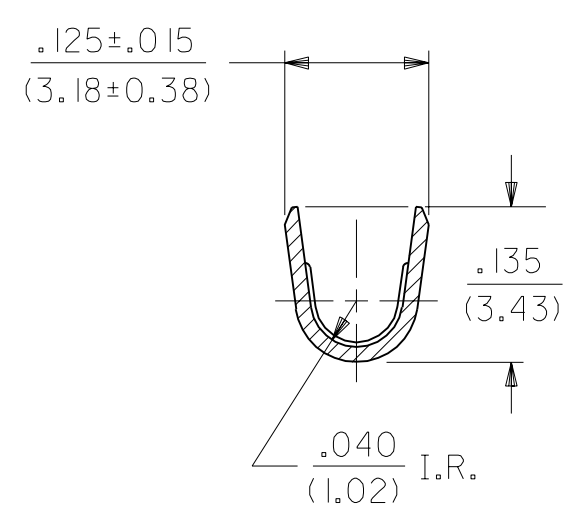
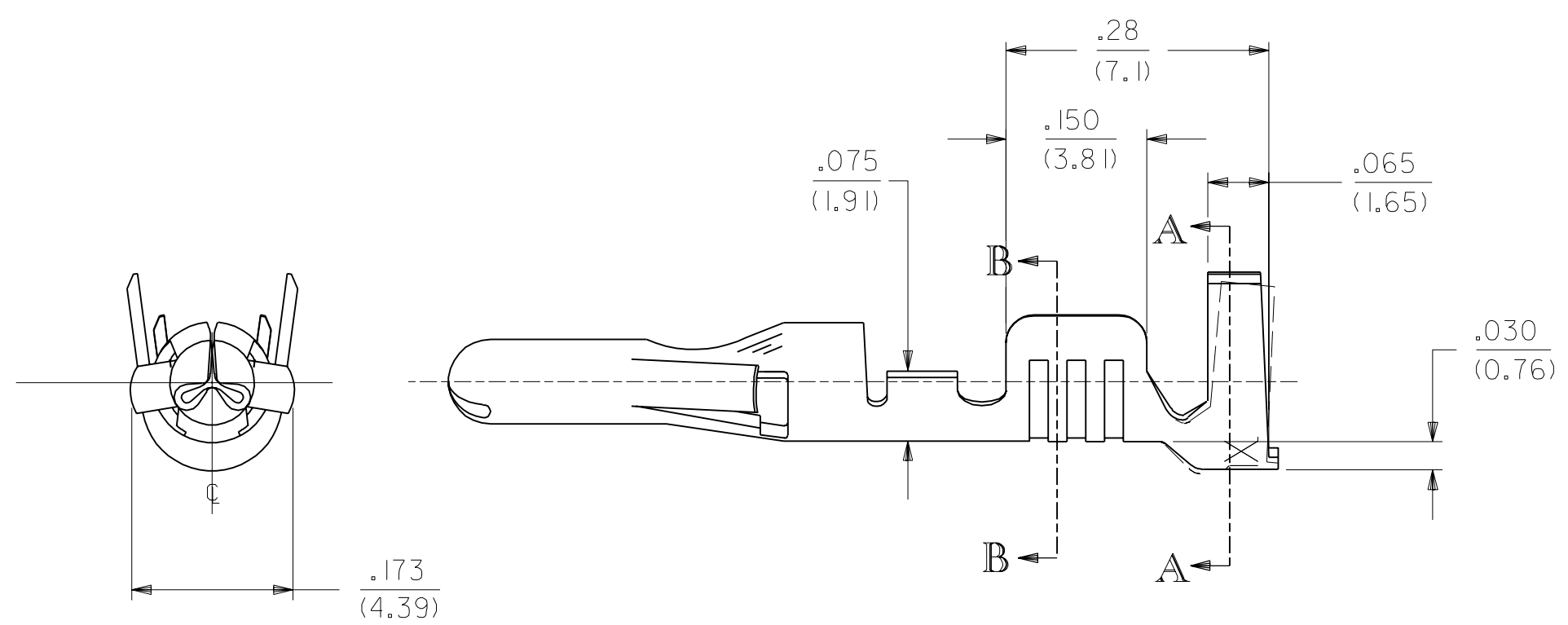
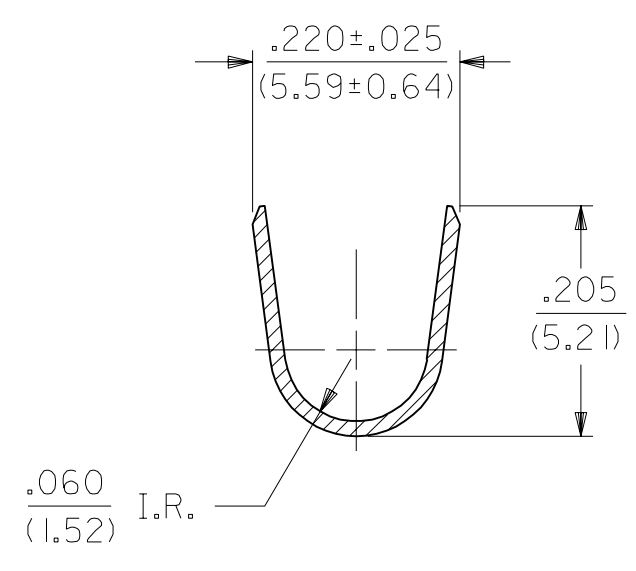


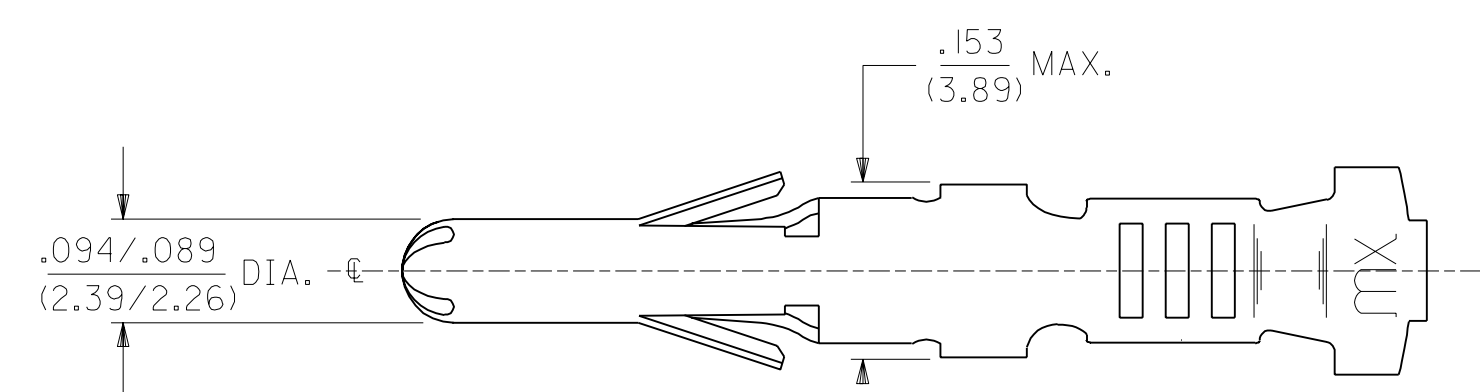
CHAIN FORM SHOWN
FULL SCALE



SECT. B-B



SECT. A-A



F2	REVISED UCR2000-0583 3/2/00 DDS
F1	REVISED ECN# UCR1999-0518 STAMBAUGH 99-2-9
F	ADDED ISO VIEW ECN U80476 WANG 97-8-15
E	REV. GEOMETRY PER ECR #U5 0410 11-22-94 RW
D	LOCK TAB REV. ECN #U5 0159 9-7-94 RW
C1	REVISE GEOMETRY PER ECR U4 0677 CWC 6/1/94 RW
C	REVISE PER ECR U2 1848 CWC 1/14/93 RW
B1	FINAL REL. -0002 ECN #U2 1167 8-12-92 RW
B	REVISED PER ECN U11831 GEP 2-10-92 RHR
A	FINAL RELEASE ECR U1 1248 CWC 7/23/91
3	REVISED ECN #U10436 02-14-91 A.GUZYK
2	REVISED DRAWING PER ERO 29857 4-23-90 TRM

2	E	1	X-RELEASED ERO 28573 6-23-89 COMSTOCK
1	F2		
MFG.	SH.	REV.	LTR.
			REVISIONS

DIMENSIONS SHOWN (METRIC) INCH
UNLESS OTHERWISE SPECIFIED
TOLERANCES: ANGULAR ±

	INCH	METRIC
3 PLACE	± .010	---
2 PLACE	± .014	± 0.25
1 PLACE	---	± 0.35

DRAFT WHERE APPLICABLE MUST
REMAIN WITHIN DIMENSIONS

DRWG. BY: GMC CHK'D. BY: RHR
APP'D. BY: GWF SCALE: 6 : 1

FILE NAME: SD42478X1 DGN

THIS DRAWING CONTAINS INFORMATION THAT IS PROPRIETARY TO MOLEX INC. AND SHOULD NOT BE USED WITHOUT WRITTEN PERMISSION.

SEE CHART SD-42478-****

MOLEX INCORPORATED
LITSE, ILL. 60532 U.S.A.

SHEET NO. 1 OF 2 DATE 6/23/99

REVISIONS: REVISIONS ONLY ON CAD SYSTEM

TITLE: TERMINAL, PIN, .093/(2.36) DIA., CRIMP

13

12

11

10

9

8

7

6

42478

4

3

2

1

CHARACTERISTICS

FINISH

FORM

PART NO.

ENG. NO.

MATERIAL

PLATING

LUBRICATION

02-09-2611

42478-0001

A

2

N

A

02-09-2612

42478-0002

A

2

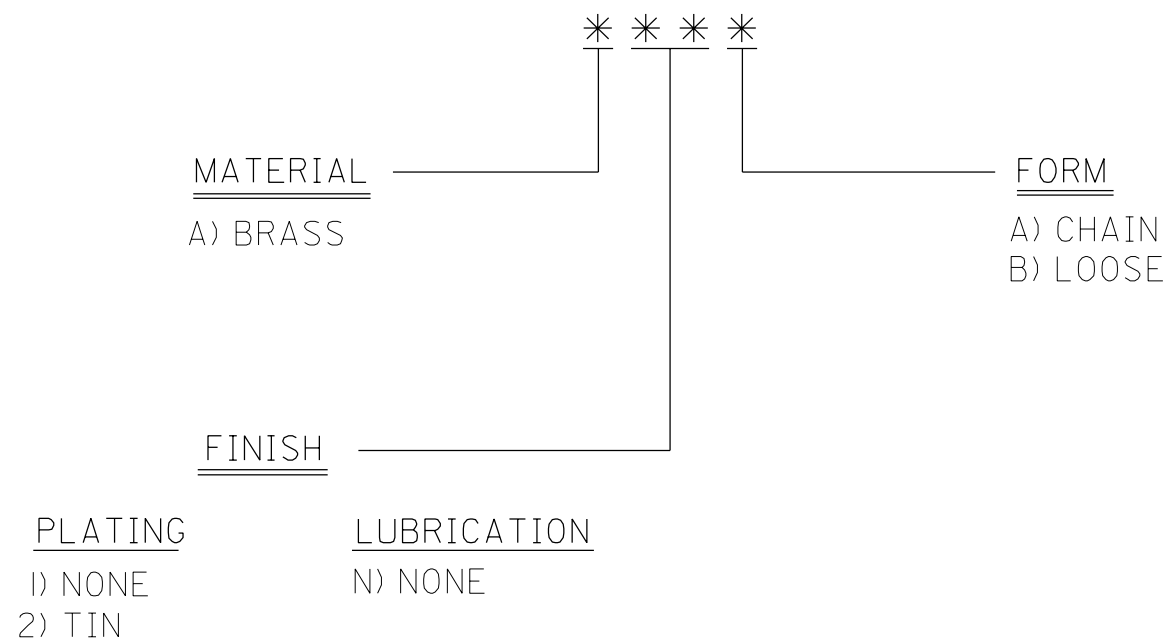
N

B

NOTES:

- 1. THESE TERMINALS ARE FOR USE WITH THE .093/(2.36) SERIES HOUSINGS AND CRIMPING ON #14 TO #18 AWG WIRE. MAXIMUM ALLOWABLE INSULATION DIAMETER IS .140/(3.56).
- 2. CONFORMS TO PRODUCT SPECIFICATION PS-42478.
- 3. INSERTION FORCE OF TERMINAL INTO HOUSING: 5 LBS. MAX.
- 4. RETENTION (PULL FORCE) FROM HOUSING: 20 LBS. MIN.
- 5. DIMENSION FROM THE END OF THE TERMINAL TO THE END OF THE BRUSH ON THE WIRE CRIMPED INTO THE TERMINAL.

CHARACTERISTICS LEGEND



MATERIALS:

A) BRASS, ALLOY #C26000, TEMPER: SPRING, .013/(0.33) THICK.

FINISHES:

PLATING

2) HOT TIN DIP, .000020/(0.00051) MINIMUM THICK.

MFG. SH. REV. LTR. REVISIONS

E1	SEE SHEET 1	DIMENSIONS SHOWN (METRIC) INCH UNLESS OTHERWISE SPECIFIED TOLERANCES: ANGULAR ± 1/2° <table border="1"> <tr> <th></th> <th>INCH</th> <th>METRIC</th> </tr> <tr> <td>3 PLACE</td> <td>± ---</td> <td>---</td> </tr> <tr> <td>2 PLACE</td> <td>± ---</td> <td>± ---</td> </tr> <tr> <td>1 PLACE</td> <td>---</td> <td>± ---</td> </tr> </table> DRAFT WHERE APPLICABLE MUST REMAIN WITHIN DIMENSIONS		INCH	METRIC	3 PLACE	± ---	---	2 PLACE	± ---	± ---	1 PLACE	---	± ---	▽ = 0	▼ = 0	REVISE ONLY ON CAD SYSTEM
	INCH		METRIC														
3 PLACE	± ---		---														
2 PLACE	± ---		± ---														
1 PLACE	---		± ---														
E	SEE SHEET 1		TITLE TERMINAL, PIN, .093/(2.36) DIA., CRIMP	Molex MOLEX INCORPORATED LISLE, ILL. 60532 U.S.A.													
B1	SEE SHEET 1	SHEET NO. 2 DATE 6/29/89															
B	SEE SHEET 1	PART NO. SD-42478-*****															
A	SEE SHEET 1	SEE CHART															
2	SEE SHEET 1	DRWG. NO.															
1	SEE SHEET 1	THIS DRAWING CONTAINS INFORMATION THAT IS PROPRIETARY TO MOLEX INC. AND SHOULD NOT BE USED WITHOUT WRITTEN PERMISSION.															
LTR.	REVISIONS	DRWG. BY: JAS APP'D. BY: GWF	CHK'D. BY: RHR SCALE:	FILE NAME: SD42478X3.DGN	DIV. CP SIZE C												

13

12

11

10

9

8

7

6

5

4

3

2

1

42478