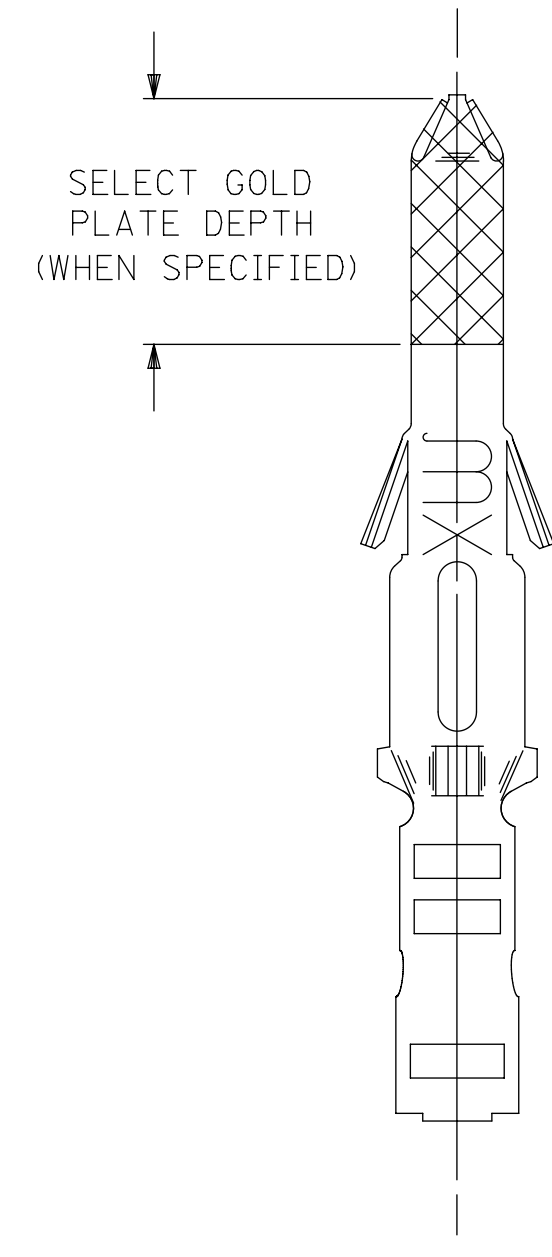
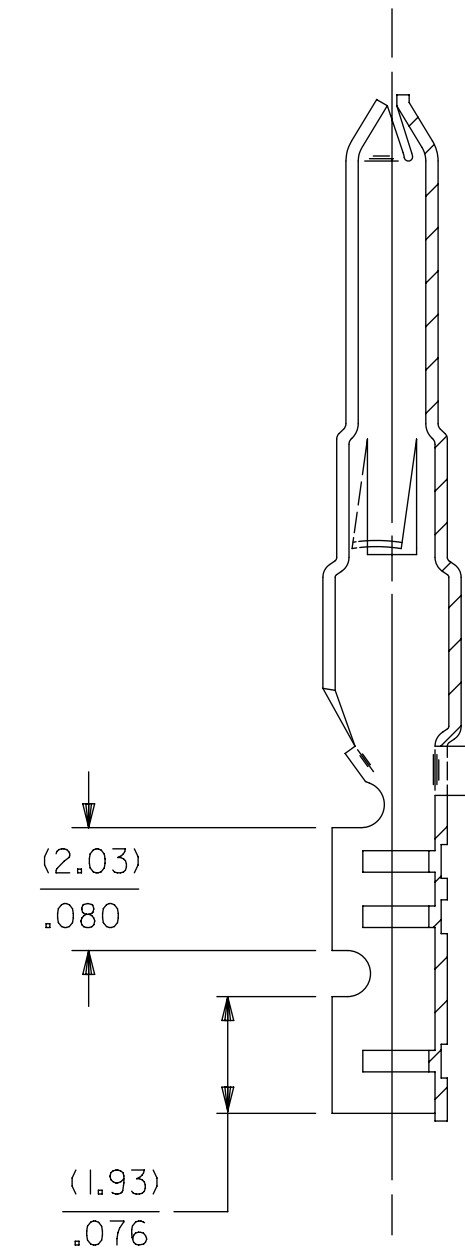
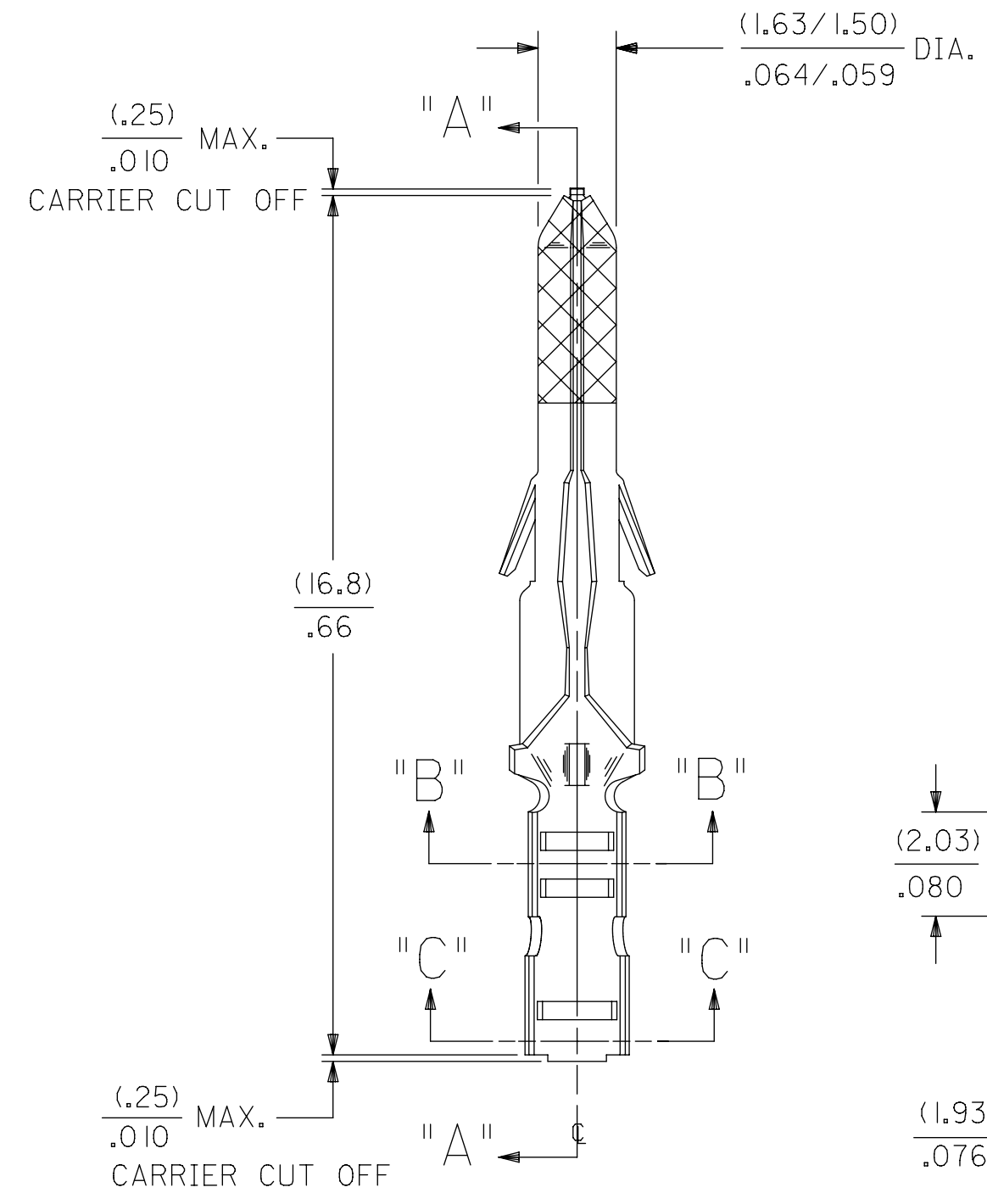
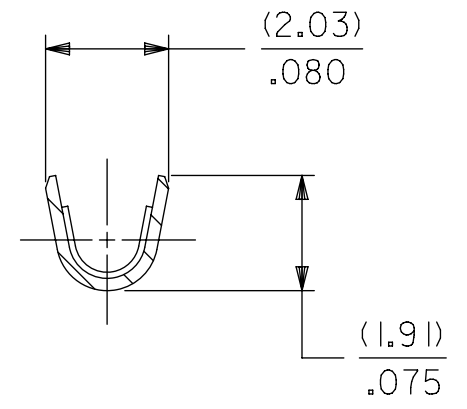
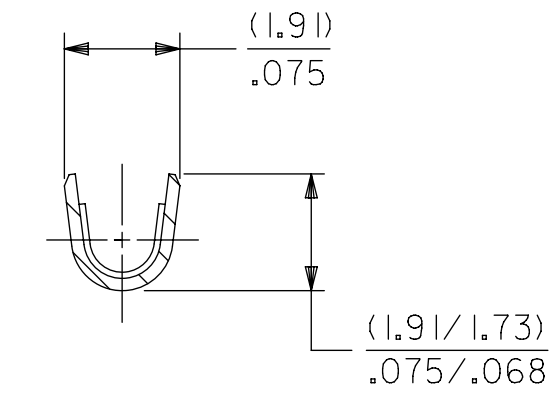
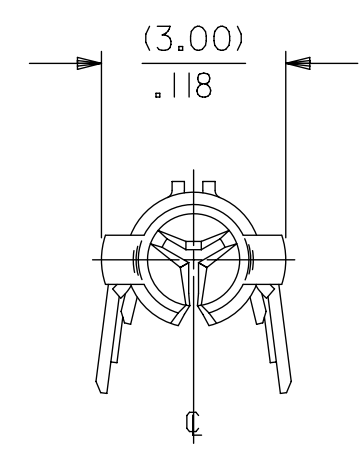
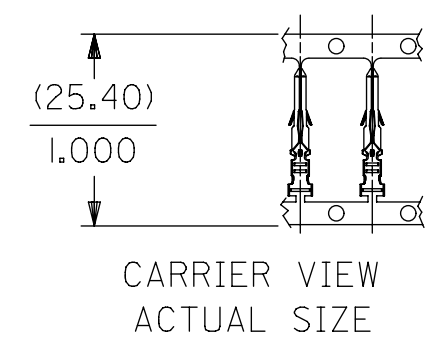


PART NO.	ENG. NO.
02-06-2131	1854-(90 I)
02-06-2132	1854-(90 I)L
02-06-6137	1854-(59 I)
02-06-6136	1854-(59 I)L
02-06-6138	1854-(56 I)
02-06-6139	1854-(56 I)L
02-06-6130	1854-(550)
02-06-6135	1854-(550)L
02-06-6143	1854-(228)
02-06-6144	1854-(228)L



SECT. "A-A"

LEGEND

1854-(****)*

P=PREPLATE
BLANK=POSTPLATE
FINISH CODE

FORM
BLANK=CHAIN
L=LOOSE

- NOTES:
- MATERIAL: BRASS
 - FINISHES:
 - 901 HOT TIN DIP (.00051)/.000020 MIN.
 - 228 SELECT GOLD PLATE (.00075)/.000030 MIN. IN CONTACT AREA, SELECT TIN (.00250)/.000100 MIN. IN CRIMP AREA OVER (.00125)/.000050 MIN. NICKEL OVERALL
 - 561 SELECT GOLD PLATE (.00076)/.000030 MIN. IN CONTACT AREA, (.00127)/.000050 MIN. NICKEL OVERALL.
 - 591 SELECT GOLD PLATE (.00127)/.000050 MIN. IN CONTACT AREA, OVER (.00127)/.000050 MIN. NICKEL OVERALL WITH (.00025)/.000010 MAX. GOLD FLASH OVERALL.
 - 550 SELECT GOLD PLATE (.00038)/.000015 MIN. IN CONTACT AREA, OVER (.00076)/.000030 MIN. NICKEL OVERALL WITH (.00025)/.000010 MAX. GOLD FLASH OVERALL.
 - PRODUCT SPECIFICATION: PS-02-06
 - PACKAGE INFORMATION:
 - LOOSE TERMINALS: PK-1190-003
 - CHAIN TERMINALS: 18540000-PK
 - TERMINAL FOR USE WITH (1.57)/.062 DIA. SERIES HOUSINGS AND WILL ACCEPT 24 THRU 30 AWG WIRE WITH (1.02/2.29)/.040/.090 INSULATION DIAMETER.

THIS DRAWING CONTAINS INFORMATION THAT IS PROPRIETARY TO MOLEX ELECTRONIC TECHNOLOGIES, LLC AND SHOULD NOT BE USED WITHOUT WRITTEN PERMISSION									
SYMBOLS		DIMENSION UNITS		SCALE		CURRENT REV DESC: UPDATE PK SPEC			
∇ = 0	MM/IN	8:1							
∇ = 0	GENERAL TOLERANCES (UNLESS SPECIFIED)								
∇ = 0		MM	INCH	EC NO: 614240					
S = 0	4 PLACES	±	±	DRWN: MKIPPER 2019/02/06					
∇ = 0	3 PLACES	±	± 0.01	CHK'D: FSMITH 2019/05/10					
∇ = 0	2 PLACES	± 0.25	± 0.014	APPR: FSMITH 2019/05/10					
∇ = 0	1 PLACE	± 0.35	±	INITIAL REVISION:					
∇ = 0	0 PLACES	±	±	DRWN: AELHAG 2010/07/08		2010/08/05			
∇ = 0	ANGULAR TOL	± 0.5°							
∇ = 0	DRAFT WHERE APPLICABLE MUST REMAIN WITHIN DIMENSIONS		THIRD ANGLE PROJECTION		DRAWING	SERIES	MATERIAL NUMBER		
					C-SIZE	1854	SEE CHART	CUSTOMER	
							GENERAL MARKET	SHEET NUMBER	
								1 OF 1	



CRIMP TERMINAL, MALE
.062 DIA. FOR 24-30 AWG WIRE

PRODUCT CUSTOMER DRAWING

DOCUMENT NUMBER	DOC TYPE	DOC PART	REVISION
SD-1854-X	PSD	001	AR