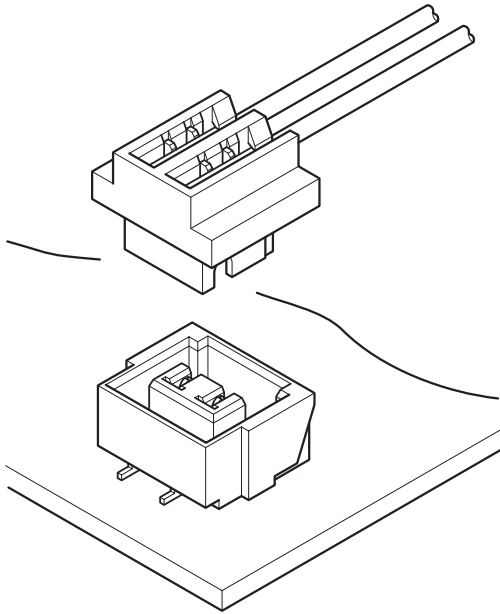


# ASR CONNECTOR



**1.0mm pitch/Disconnectable Insulation displacement connectors**



- **Compact**
- **Twin U-slot insulation displacement section**
- **3-point grip construction**
- **Header designed for vacuum pick and place robotics**

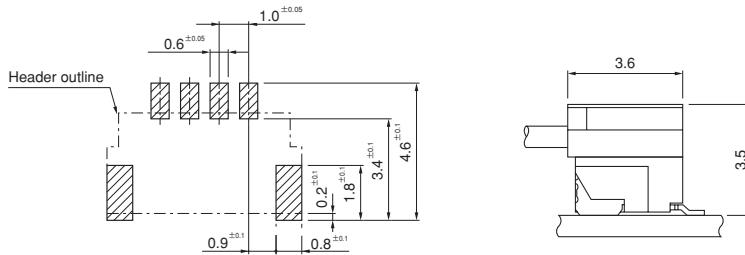
## Specifications

- Current rating: 0.7A DC
- Voltage rating: 50V DC
- Temperature range: -25°C to +85°C  
(including temperature rise in applying electrical current)
- Contact resistance: Initial value/30m Ω max.  
After environmental testing/40m Ω max.
- Insulation resistance: 100M Ω min.
- Withstanding voltage: 500V AC/minute
- Applicable wire: Conductor size/AWG #30  
Conductor/7 strands,  
tin-coated annealed copper  
Insulation O.D./0.54 to 0.58mm
- \* Compliant with RoHS.
- \* Refer to "General Instruction and Notice when using Terminals and Connectors" at the end of this catalog.
- \* Contact JST for details.

## Standards

- Ⓜ Recognized E60389
- Ⓢ Certified LR20812

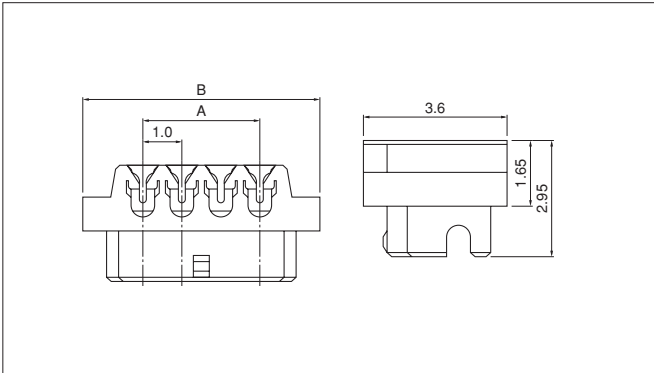
### PC board layout (viewed from component side) and Assembly layout



Note: 1. Tolerances are non-cumulative: ±0.05mm for all centers.  
2. The dimensions above should serve as a guideline. Contact JST for details.

# ASR CONNECTOR

## Socket



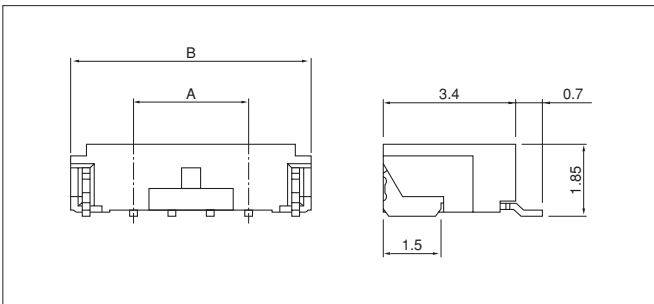
Circuits	Model No.	Dimensions (mm)		Qty / box
		A	B	
2	<b>02ASR-30S</b>	1.0	4.0	3,000
3	<b>03ASR-30S</b>	2.0	5.0	3,000
4	<b>04ASR-30S</b>	3.0	6.0	3,000

### Material and Finish

Contact: Phosphor bronze, tin-plated (reflow treatment)  
Housing: Glass-filled PA 66, UL94V-0, natural

**RoHS compliance**

## Shrouded header



Circuits	Model No.	Dimensions (mm)		Qty / reel
		A	B	
2	<b>BM02B-ASRS-TF</b>	1.0	4.4	3,500
3	<b>BM03B-ASRS-TF</b>	2.0	5.4	3,500
4	<b>BM04B-ASRS-TF</b>	3.0	6.4	3,500

### Material and Finish

Contact: Phosphor bronze, copper-undercoated, tin-plated (reflow treatment)  
Wafer: PA 6T, UL94V-0, natural  
Solder tab: Brass, copper-undercoated, tin-plated (reflow treatment)

**RoHS compliance** This product displays (LF)(SN) on a label.  
Note: The products listed above are supplied on embossed-tape.