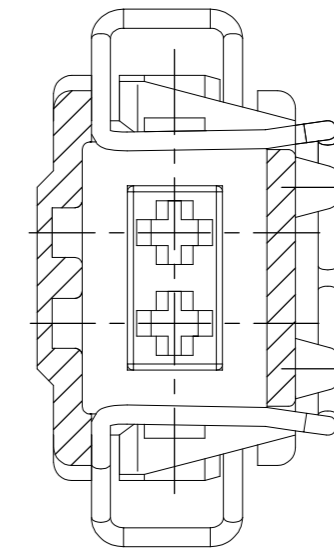
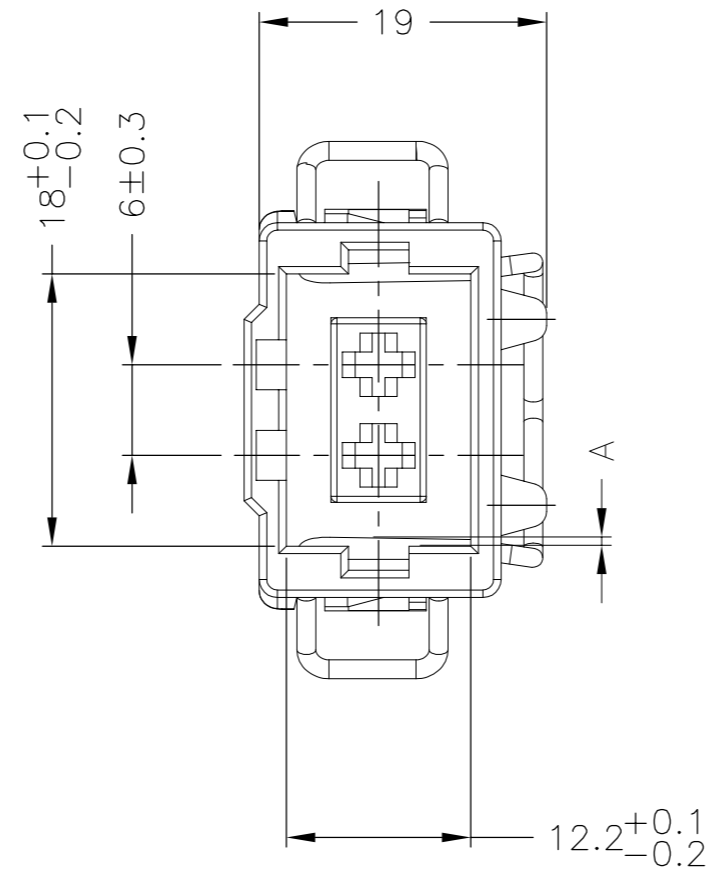
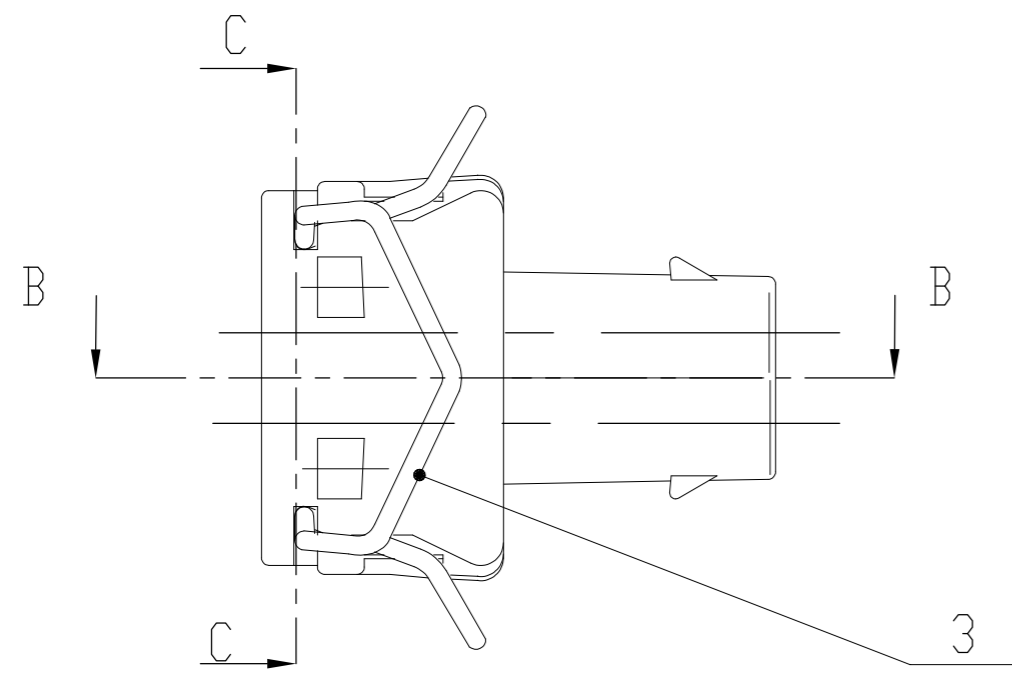
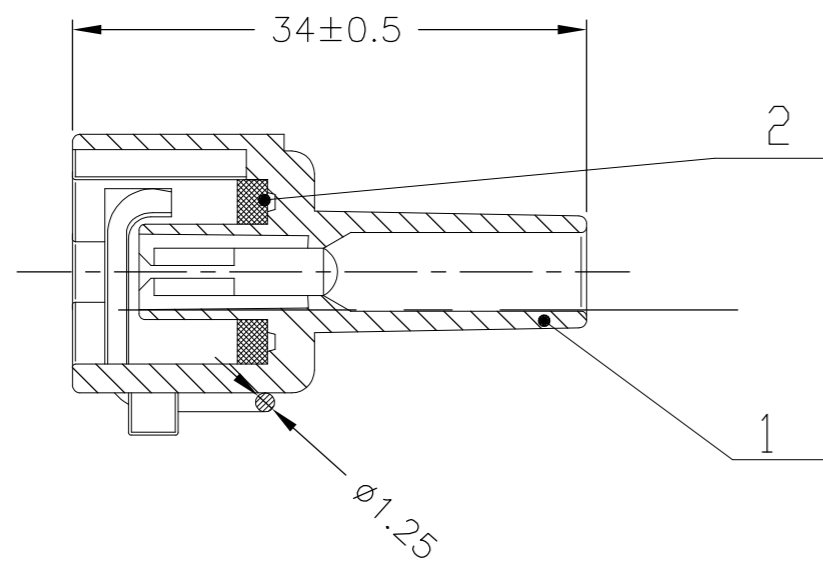


LOC		DIST		REVISIONS			
P	LTR	DESCRIPTION		DATE	DWN	APVD	
ES	00	A	RELEASED	02MAR11	J.C	I.Y	



SECTION: C-C



SECTION: B-B

NOTES:

- 1 FITS WITH TE PART NO. 929741
- 2 SUITABLE WITH TE SOCKET CONTACT E.G. PN 964282; 964286; 964273
- 3 DIMENSION A IS THE MAXIMUM DISTANCE FROM THE HOUSING EDGE TO OUTSIDE EDGE OF SPRING 0.1<A, INSERTING THE COUNTERPART 929741MUST BE SMOOTHLY

ASS'Y P/N	REV.	PDS.	QTY	DESCRIPTION	MATERIAL	SURFACE COLOUR
0-1813029-8	A	3	1	SPRING	1Cr18Ni9	PLAIN
		2	1	SEALING	SILICONE	NATURAL
		1	1	HOUSING	PBT GF30	GREY
0-1813029-7	A	3	1	SPRING	1Cr18Ni9	PLAIN
		2	1	SEALING	SILICONE	NATURAL
		1	1	HOUSING	PBT GF30	GREEN
0-1813029-6	A	3	1	SPRING	1Cr18Ni9	PLAIN
		2	1	SEALING	SILICONE	NATURAL
		1	1	HOUSING	PBT GF30	WHITE
0-1813029-5	A	3	1	SPRING	1Cr18Ni9	PLAIN
		2	1	SEALING	SILICONE	NATURAL
		1	1	HOUSING	PBT GF30	BLUE
0-1813029-4	A	3	1	SPRING	1Cr18Ni9	PLAIN
		2	1	SEALING	SILICONE	NATURAL
		1	1	HOUSING	PBT GF30	YELLOW
0-1813029-3	A	3	1	SPRING	1Cr18Ni9	PLAIN
		2	1	SEALING	SILICONE	NATURAL
		1	1	HOUSING	PBT GF30	RED
0-1813029-2	A	3	1	SPRING	1Cr18Ni9	PLAIN
		2	1	SEALING	SILICONE	NATURAL
		1	1	HOUSING	PBT GF30	BROWN
0-1813029-1	A	3	1	SPRING	1Cr18Ni9	PLAIN
		2	1	SEALING	SILICONE	NATURAL
		1	1	HOUSING	PBT GF30	BLACK

THIS DRAWING IS A CONTROLLED DOCUMENT.		DWN J.CHEN 01MAR2011		
DIMENSIONS: mm		CHK Y.YANG 01MAR2011		
TOLERANCES UNLESS OTHERWISE SPECIFIED:		APVD I.Yin 02MAR2011	NAME 2POS. JUNIOR-POWER-TIMER HOUSING FOR SINGLE WIRE SEALING, ASS'Y	
0 PLC ± 0.2		PRODUCT SPEC	SIZE A2	CAGE CODE 00779
1 PLC ± 0.2		APPLICATION SPEC	DRAWING NO C=1813029	RESTRICTED TO
2 PLC ± 0.2		WEIGHT	SCALE 1:1	SHEET 1 of 1
3 PLC ± 0.2		CUSTOMER DRAWING	REV A	
4 PLC ± 0.2				
ANGLES ±				
FINISH				
MATERIAL SEE TABLE				