

## FEATURES AND SPECIFICATIONS

# molex® 2.36mm (.093") Diameter Female Terminals

### Features and Benefits

- Available in Tin or Gold platings
- Available in Brass or Phosphor Bronze base materials
- Accommodates 14 to 30 gauge wire
- Available in crimp or PC tail versions

### Reference Information

Packaging: Chain or bulk  
 UL File No.: E29179  
 CSA File No.: LR19980  
 Designed In: Inches

### Mechanical

Contact Insertion Force: 3.5 lb max. for .010"; 5 lb max. for .013"

Terminal Crimp Strength:

AWG	Minimum Pull-Out Force kg (lb)	AWG	Minimum Pull-Out Force kg (lb)
14	15.90 (35)	24	3.63 (8)
16	13.60 (30)	26	2.27 (5)
18	9.07 (20)	28	1.36 (3)
20	6.80 (15)	30	0.91 (2)
22	4.54 (10)		

Engage/Disengage Forces: Standard terminal of 0.25mm (.010") stock 70/30 Brass. Average engage/disengage forces in plug/receptacle connector with +30% tolerance in Kg (lb) by circuit:

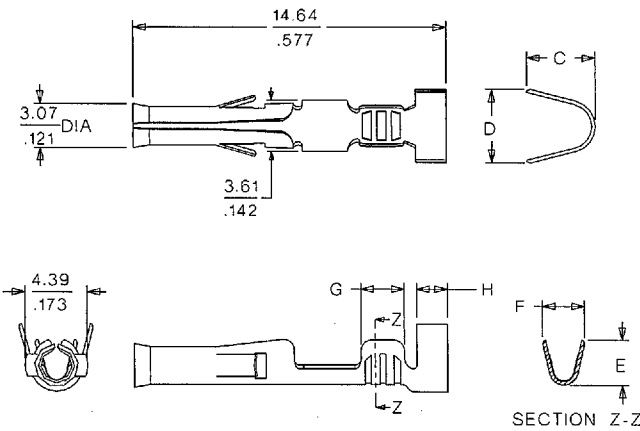
Circuits	Engage/Disengage Force kg (lb)
1	1.59/1.25 (3.5/2.75)
2	3.18/2.50 (7.0/5.5)
3	4.77/3.75 (9.5/8.26)
4	6.36/5.00 (14.00/11.02)
5	7.95/6.24 (17.5/13.7)
6	9.53/7.50 (21.0/16.5)
9	14.30/11.24 (31.5/24.8)
12	19.06/15.00 (42.0/33.07)
15	23.84/18.73 (52.5/41.3)

Durability: Tin plating—25 mating/unmating cycles max.  
 Gold plating—50 mating/unmating cycles max.

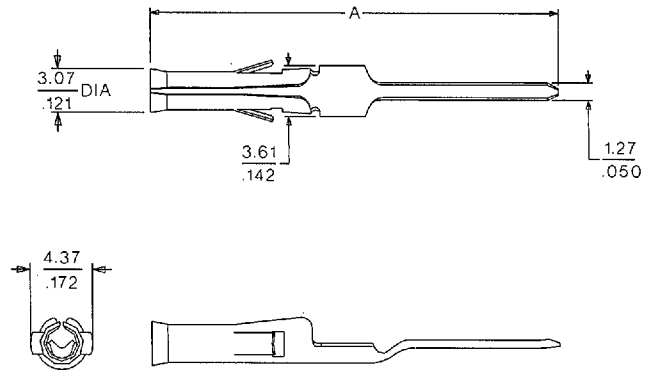
### Physical

Contact: Brass or Phosphor Bronze  
 Plating: Tin or Gold  
 Temperature: -40 to +105°C

## STANDARD



## PC TAIL



## ORDERING INFORMATION AND DIMENSIONS

Type	Plating	Crimp Wire Size	Insulation Diameter	Series	Order No.		
					Chain Form*	Loose Form	
Standard Brass .010"	Tin	14-20	1.65/4.06 (.065/.160)	1189	• 02-09-1102	• 02-09-1104	
		18-22	1.52/3.05 (.060/.120)	1381	• 02-09-1117	• 02-09-1119	
		22-24	1.27/1.78 (.050/.070)	2871	02-09-1138	02-09-1139	
		24-30	.076/1.52 (.030/.060)	1433	• 02-09-1142	• 02-09-1144	
	15µ" Gold	14-20	1.65/4.06 (.065/.160)	1189	• 02-09-5100	• 02-09-5106	
		18-22	1.52/3.05 (.060/.120)	1381	• 02-09-5143	• 02-09-5142	
		24-30	.076/1.52 (.030/.060)	1433	• 02-09-5146	• 02-09-5147	
		14-20	1.65/4.06 (.065/.160)	1189	• 02-09-5102	• 02-09-5111	
	50µ" Gold	18-22	1.52/3.05 (.060/.120)	1381	• 02-09-5130	• 02-09-5133	
		18-22	1.52/3.05 (.060/.120)	2273	02-09-1122	02-09-1123	
	Low Engagement Force <sup>1</sup>	Tin	14-18	3.56 (.140) max.	42477	• 02-09-1615	• 02-09-1616
	PC Tail	For Standard .093" Housing	Tin		1377		• 02-09-1134
For Standard .093" Housing		30µ" Gold		1377		• 02-09-5132	
For 3191 Housing		Tin		2605		• 02-09-1145	
Phos-Bronze .010"	Tin	14-20	1.65/4.06 (.065/.160)	4550	02-09-1205	02-09-1206	
		18-22	1.52/3.05 (.060/.120)	2151	02-09-1203	02-09-1204	
	30µ" Gold	14-20	1.65/4.06 (.065/.160)	4550	02-09-5169	02-09-5170	
		14-20	1.65/4.06 (.065/.160)	6310	02-09-1209	02-09-1211	
Phos-Bronze .008"	Tin	14-20	1.65/4.06 (.065/.160)	6271	02-09-1208	02-09-1212	
		18-22	1.52/3.05 (.060/.120)				

\* US Standard Product, available through Molex franchised distributors

\* Not recommended for use with standard .093" housing when using 14 AWG wire

<sup>1</sup> Engagement force is approximately 2.5 lb per circuit. Current rating is derated from standard terminals by 2.0A per circuit.