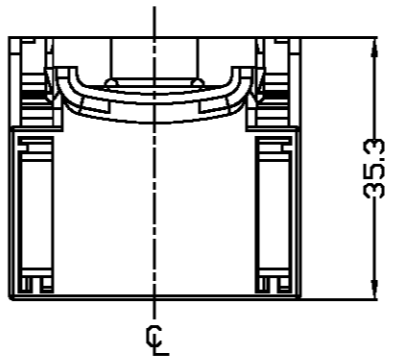
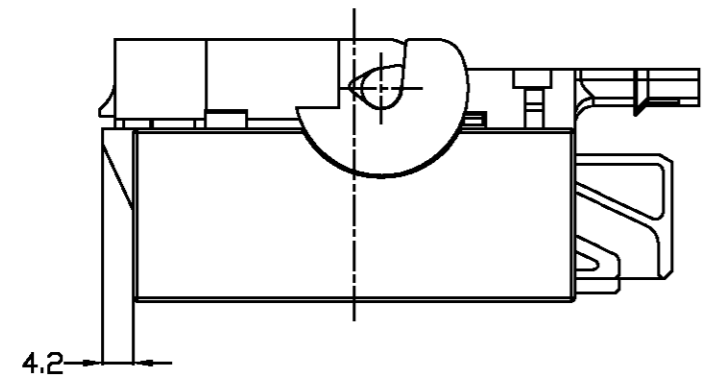
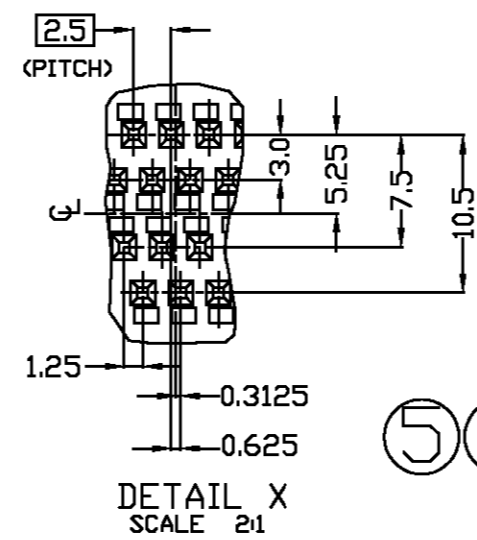
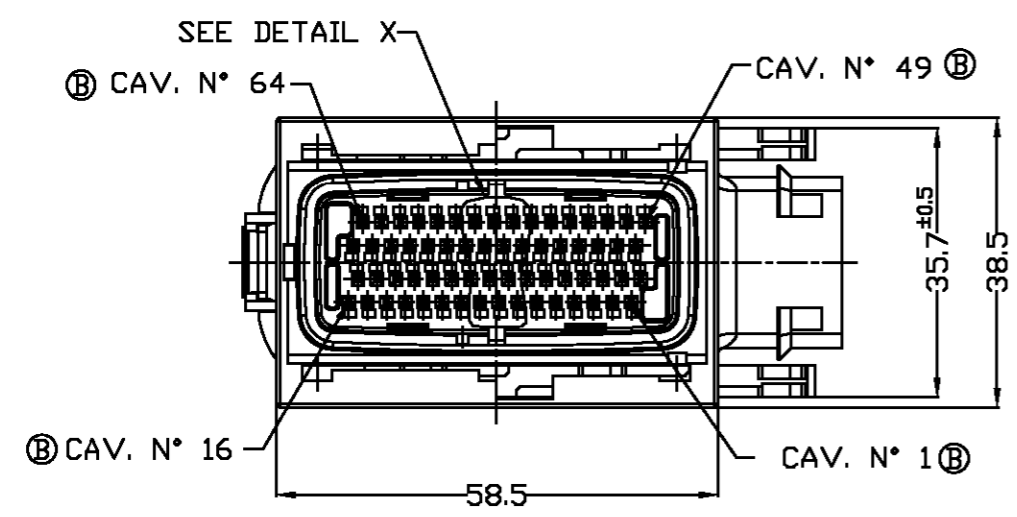
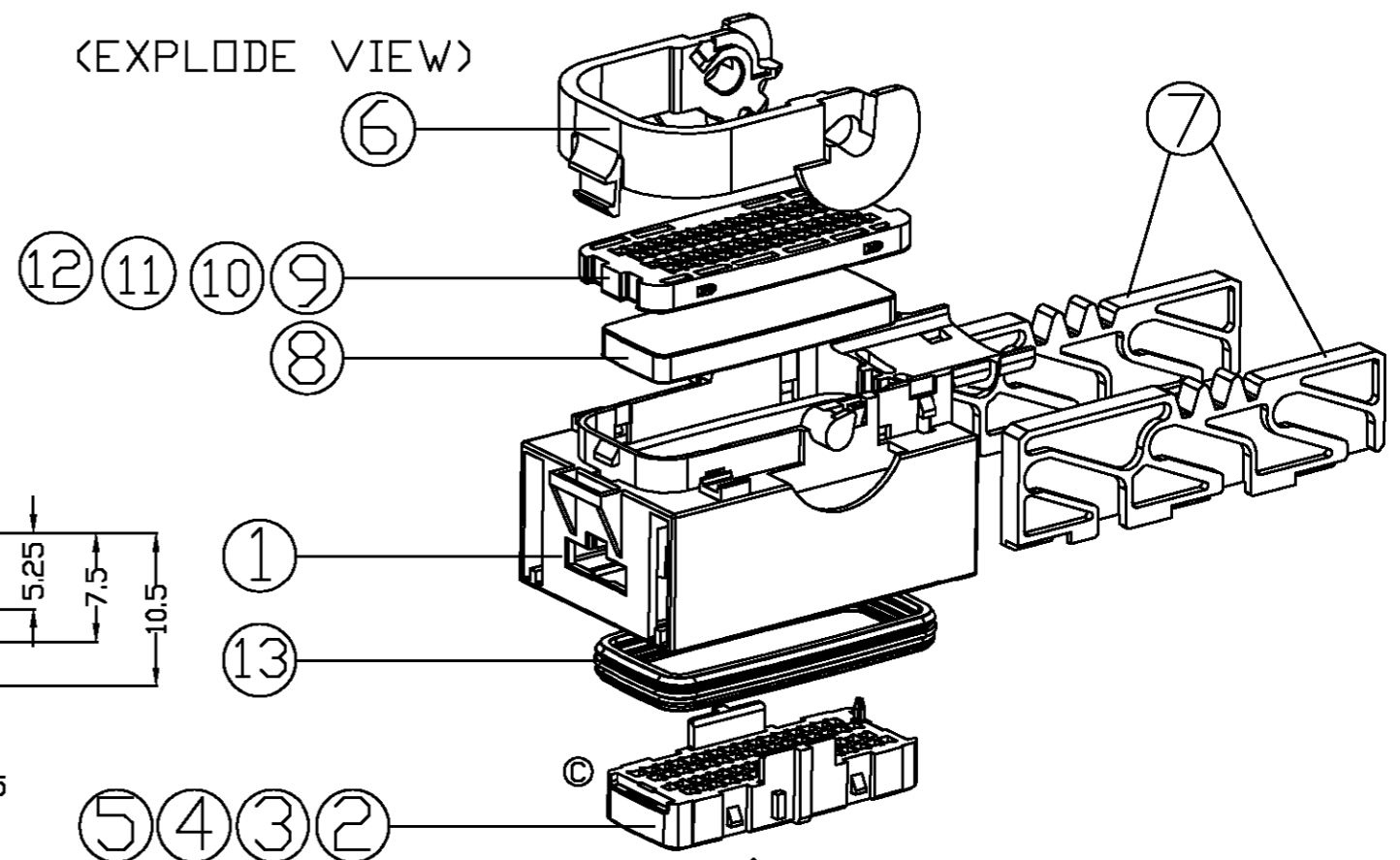


LOC	DIST	REVISIONS					
		P	LTR	DESCRIPTION	DATE	JWN	APVD
			□	RELEASED ECN(KFC00-0078-00)	14/JUN/00	JW	BM
			A	RELEASED ECN(KFC00-0110-01)	15/OCT/01	JW	CS
			B	RELEASED ECN(KFC00-0160-04)	15/JUL/04	JG	CS
			C	RELEASED ECN(KFC00-0031-05)	25/JAN/05	BH	CS



(EXPLODE VIEW)



NOTE

1. APPLICABLE TAB CONTACT P/N;

PART NO.	DESCRIPTION	WIRE SIZE (mm ²)
928999-1	MICRO QUADLOK SYSTEM REC TML (SOCKET CONTACT)	0.2 - 0.5
963715-1	MICRO QUADLOK SYSTEM REC TML (SOCKET CONTACT)	0.75

-. MQS CONTACT (AVX-F: 0.5mm² / AVSS-X: 0.75mm²)
 2. APPLICABLE COVER HSG P/N; 368441-1
 3. APPLICABLE RETAINER HSG (MQS) P/N; 368440-1 (P/N -1 AS SHOWN)

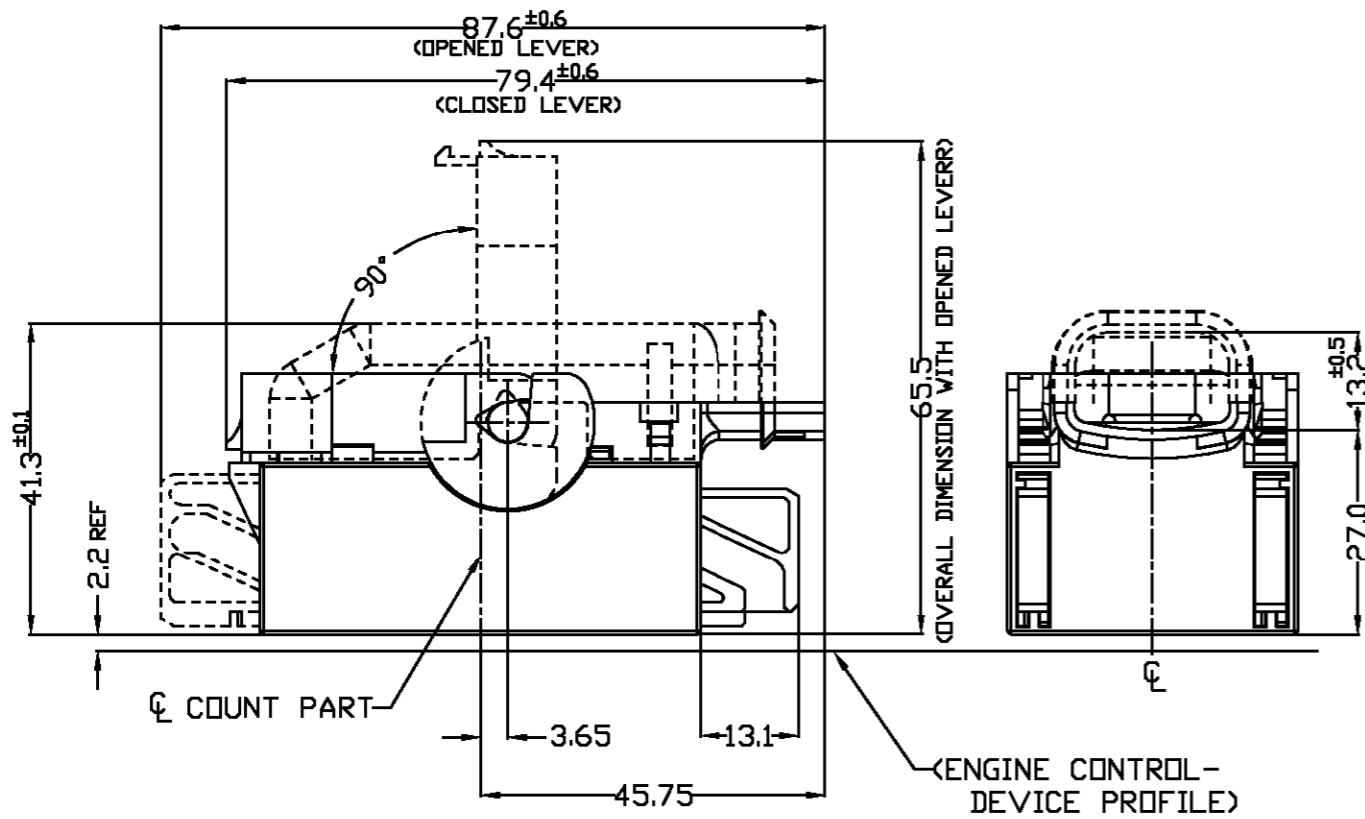
ASS'Y P/N	GRAPHICAL REPRESENTATION MATING SIDE -- KEY CODE I & M	ASS'Y P/N	GRAPHICAL REPRESENTATION MATING SIDE -- KEY CODE J & K
0-368434-1	BLACK CAV. 64, CAV. 49, CAV. 16, CAV. 1	1-368434-1	GRAY CAV. 64, CAV. 49, CAV. 16, CAV. 1
0-368434-2	BLUE CAV. 64, CAV. 49, CAV. 16, CAV. 1	1-368434-2	BROWN CAV. 64, CAV. 49, CAV. 16, CAV. 1

DIMENSIONS: mm		TOLERANCES UNLESS OTHERWISE SPECIFIED:	
3rd ANGLE PROJECTION		0 <XX<10 ± 0.2	
MATERIAL SEE TABLE		10 <XX<30 ± 0.25	
		30 <XX ± 0.3	
		ANGLES ± 3°	
FINISH SEE TABLE			

DWN: BH JIN		tyco Electronics		AMP KOREA, kyungsan, korea	
CHK: BM JANG				NAME	
APVD: CS LEE		PRODUCT SPEC		64 POSITION FEMALE CONNECTOR ASS'y	
APPLICATION SPEC		WEIGHT		RESTRICTED TO	
		SIZE: A3		CAGE CODE: 00779	
		DRAWING NO: C-368434		SCALE: 1:1	
		SHEET: 1 OF 2		REV: C	

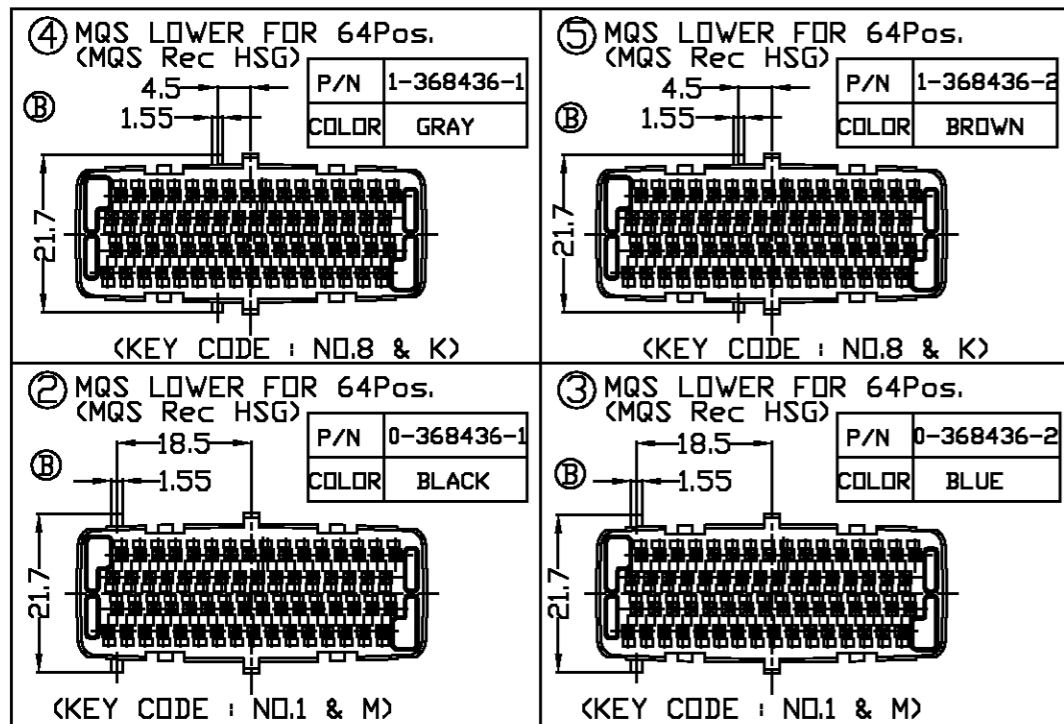
LOC	DIST	REVISIONS					
		P	LTR	DESCRIPTION	DATE	JVN	APVD
DS							
SEE SHEET (1 of 2)							

(CONNECTOR MATED WITH CONTERPART VIEWS)



© REFER TO SHEET 1

ITEM	DESCRIPTION	PART NO.	MATERIAL	COLOR	ASS'Y P/N			
					1-368434-2	1-368434-1	0-368434-2	0-368434-1
13	INNER SEAL FOR 64Pos.	0-368937-1	SILICON	ORANGE	1	1	1	1
12	GEL GROMMET RETAINER HSG FOR 64Pos	1-368439-2	PBT - GF15	BROWN	1			
11	GEL GROMMET RETAINER HSG FOR 64Pos	1-368439-1	PBT - GF15	GRAY		1		
10	GEL GROMMET RETAINER HSG FOR 64Pos	0-368439-2	PBT - GF15	BLUE			1	
9	GEL GROMMET RETAINER HSG FOR 64Pos	0-368439-1	PBT - GF15	BLACK				1
8	GEL GROMMET SEAL FOR 64Pos.	0-368936-1	GEL	BLUE	1	1	1	1
7	SLIDE HSG FOR 64Pos.	0-368438-1	PBT - GF35	GRAY	2	2	2	2
6	LEVER HSG FOR 64Pos.	0-368437-1	PBT - GF35	BLACK	1	1	1	1
5	MQS LOWER FOR 64Pos. (MQS Rec HSG) (KEY CODE : NO.8 & K)	1-368436-2	PBT - GF20	BROWN	1			
4	MQS LOWER FOR 64Pos. (MQS Rec HSG) (KEY CODE : NO.8 & K)	1-368436-1	PBT - GF20	GRAY		1		
3	MQS LOWER FOR 64Pos. (MQS Rec HSG) (KEY CODE : NO.1 & M)	0-368436-2	PBT - GF20	BLUE			1	
2	MQS LOWER FOR 64Pos. (MQS Rec HSG) (KEY CODE : NO.1 & M)	0-368436-1	PBT - GF20	BLACK				1
1	MQS BODY UPPER FOR 64Pos. (UPPER HALF)	0-368435-1	PBT - GF15	BLACK	1	1	1	1



<small>THIS DRAWING IS A CONTROLLED DOCUMENT FOR TYCO ELECTRONICS CORPORATION. IT IS SUBJECT TO CHANGE AND THE CONTROLLING ENGINEERING ORGANIZATION SHOULD BE CONTACTED FOR THE LATEST REVISION.</small>		DVN CHK APVD <i>SEE SHEET (1 of 2)</i>		tyco Electronics		AMP KOREA. kyungsan, korea	
DIMENSIONS: mm TOLERANCES UNLESS OTHERWISE SPECIFIED:		PRODUCT SPEC APPLICATION SPEC		NAME 64 POSITION FEMALE CONNECTOR ASS'y		RESTRICTED TO	
3rd ANGLE PROJECTION		WEIGHT		SIZE CAGE CODE DRAWING NO A3 00779 C= 3 6 8 4 3 4		SCALE 1 : 1 SHEET 2 OF 2 REV C	
MATERIAL SEE TABLE		FINISH SEE TABLE					