

4

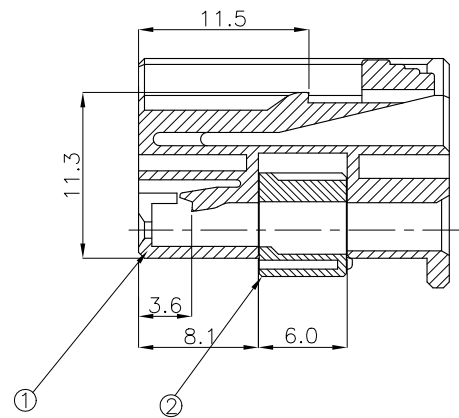
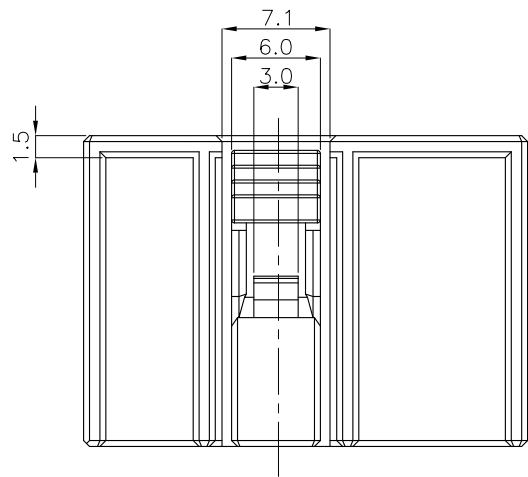
3

2

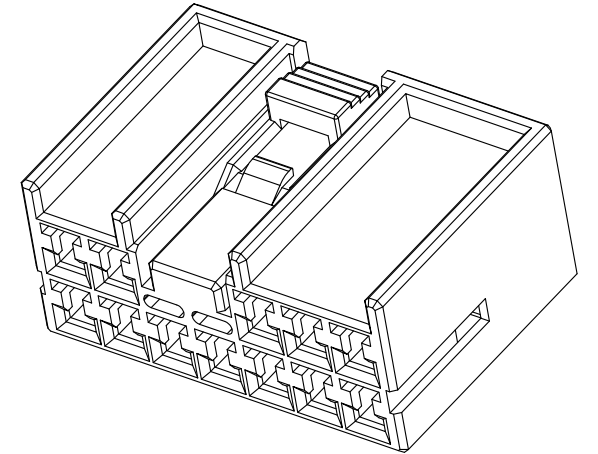
1

THIS DRAWING IS UNPUBLISHED. RELEASED FOR PUBLICATION
COPYRIGHT BY TYCO ELECTRONICS CORPORATION, ALL RIGHTS RESERVED.

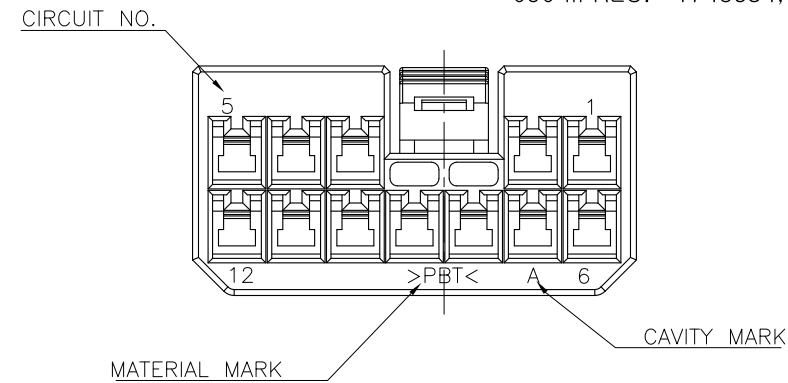
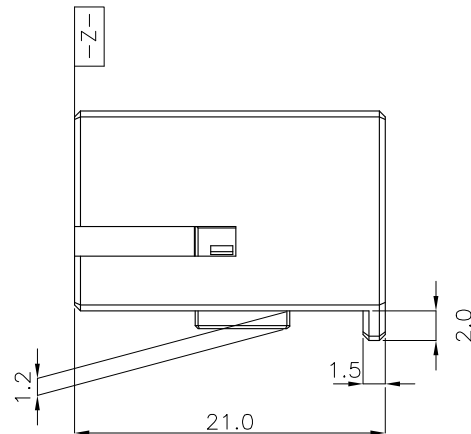
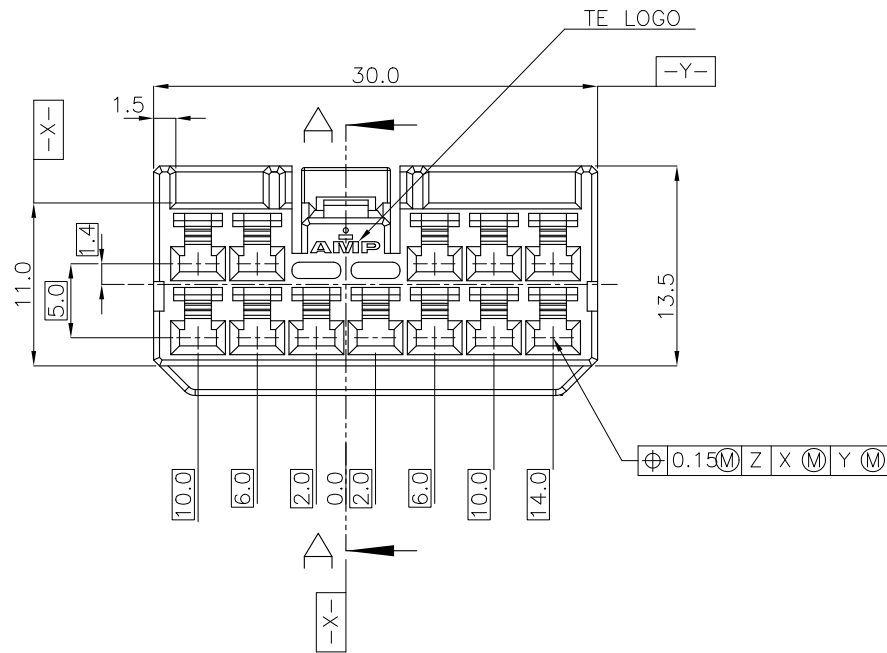
LOC	DIST	REVISIONS					
		P	LTR	DESCRIPTION	DATE	DWN	APVD
DS	-		B	REVISED (ECR-06-023165)	09.OCT.'06	BS	JK
			B1	REVISED (ECR-09-005043)	24.MAR.'09	KT	HG



SECTION A-A



- NOTES.
- THE MATING HSG. P/N ; 936207
 - APPLIED CONTACT P/N ;
090 II REC.- 368083,368084,368085
090 III REC.- 1743654,1743655,1743656,1897753,1897598
- 추가-
- 상대 하우징 P/N. : 936207
 - 적용단자 P/N. : 090 II REC.- 368083,368084,368085
090 III REC.- 1743654,1743655,1743656,1897753,1897598



ASSY P/N
0-936196-8
0-936196-5
0-936196-4
0-936196-3
0-936196-2
0-936196-1

NO	COLOR	MATERIAL	DESCRIPTION	P/N	QTY
1	BLUE	PBT	PLUG	0-936197-8	1
	YELLOW	PBT	PLUG	0-936197-5	1
	BROWN	PBT	PLUG	0-936197-4	1
	D/GRAY	PBT	PLUG	0-936197-3	1
	BLACK	PBT	PLUG	0-936197-2	1
2	NATURAL	PBT	DBL	0-936198-1	1 1 1 1 1 1

D

D

C

C

B

B

A

A

THIS DRAWING IS A CONTROLLED DOCUMENT FOR TYCO ELECTRONICS CORPORATION IT IS SUBJECT TO CHANGE AND THE CONTROLLING ENGINEERING ORGANIZATION SHOULD BE CONTACTED FOR THE LATEST REVISION.

DIMENSIONS: MM	TOLERANCES UNLESS OTHERWISE SPECIFIED: 0 <XX<10 ± 0.2 10<XX<30 ± 0.25 30<XX ± 0.3 ANGLES ± 3°

MATERIAL	FINISH
SEE TABLE	

DWN	KT JUNG
CHK	JW JUNG
APVD	HG CHD
PRODUCT SPEC	-
APPLICATION SPEC	-
WEIGHT	-

Tyco Electronics AMP KOREA, Kyungsan, Korea

NAME: 090III 12P PLUG ASS'Y

SIZE: A3 CAGE CODE: 00779 DRAWING NO: C-936196 RESTRICTED TO: -

CUSTOMER DRAWING SCALE 2/1 SHEET 1 OF 1 REV B1