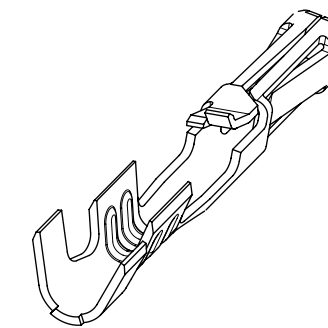


TERMINALS STAMPED WITH THE LETTER "A"
ACCEPT 24-30 AWG WIRE WITH A 1.52 MAX INSULATION DIA.

NOTES:

- MATERIAL: PHOSPHOR BRONZE
- PLATING:
 - 124 = SELECT BRIGHT TIN: 3.75 MICROMETERS MIN OVER NICKEL
 - P124 = PREPLATED BRIGHT TIN: 3.75 MICROMETERS MIN OVER MATTE NICKEL (BARE EDGES)
 - 207 = SELECT HARD GOLD: 0.38 MICROMETERS MIN.
SELECT TIN: 2.0 MICROMETERS MIN BOTH OVER NICKEL
 - 206 = SELECT HARD GOLD: 0.75 MICROMETERS MIN.
SELECT TIN: 2.0 MICROMETERS MIN BOTH OVER NICKEL
- PRODUCT SPECIFICATION: TERMINALS CONFORM TO PS-70058 AND PS-70400 WHEN CRIMPED WITH MOLEX CRIMP TOOLS.
- COSMETIC SPECIFICATION: PS-45499-002 CLASS B
- TERMINAL FOR USE WITH HOUSING SERIES 70066 AND 70450
- WIRE SPECIFICATION: TERMINALS STAMPED WITH THE LETTER:
A = ACCEPTS 24-30 AWG STRANDED WIRE WITH A 1.52 MAX INSULATION DIA
- SEE 700580000-SD FOR THIS PART WITH SINGLE NUMBER SYSTEM

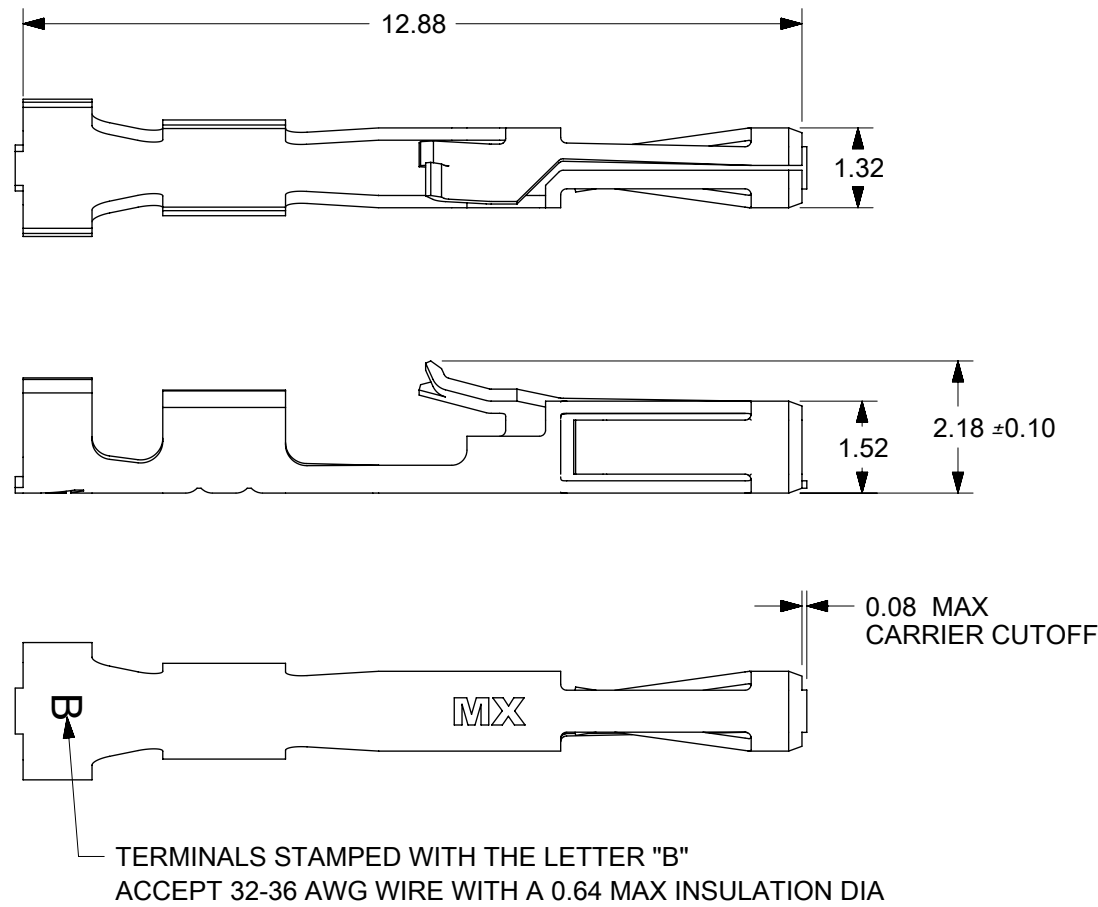
TERMINALS ON THIS SHEET ARE FOR USE
WITH 24-30 AWG WIRE.
SEE SHEETS 2 AND 3 FOR OTHER WIRE SIZES



(24-30 AWG WIRE)

PART NUMBER / ENGINEERING NO	PACKAGING	PLATING SEE NOTE 2	WIRE SIZE	MAX INSULATION DIA
16-02-0069 70058-0004	REEL	124 SELECT TIN	24-30 AWG	1.52 DIA MAX
16-02-0096 70058-0204	LOOSE			
70058-4069	REEL	P124 OVERALL TIN		
16-02-0082 70058-0006	REEL	207 0.38 GOLD		
16-02-0097 70058-0206	LOOSE			
16-02-0083 70058-0008	REEL	206 0.75 GOLD		
16-02-0098 70058-0208	LOOSE			

SYMBOLS	THIS DRAWING CONTAINS INFORMATION THAT IS PROPRIETARY TO MOLEX ELECTRONIC TECHNOLOGIES, LLC AND SHOULD NOT BE USED WITHOUT WRITTEN PERMISSION		CURRENT REV DESC: REMOVE NEW NOS		
	DIMENSION UNITS	SCALE	EC NO: 600955		
▽ = 0	mm	8:1	DRWN: KSAMIEC 2018/07/23		SL CRIMP TERMINAL
▽ = 0	GENERAL TOLERANCES (UNLESS SPECIFIED)		CHK'D: FSMITH 2018/08/27		
▽ = 0	ANGULAR TOL ± °		APPR: FSMITH 2018/08/27		PRODUCT CUSTOMER DRAWING
▽ = 0	4 PLACES ±		INITIAL REVISION:		
▽ = 0	3 PLACES ±		DRWN: KSAMIEC 2018/07/23		DOCUMENT NUMBER
▽ = 0	2 PLACES ± 0.25		APPR: FSMITH 2018/08/27		
▽ = 0	1 PLACE ± 0.15		SERIES		700580001-SD
▽ = 0	0 PLACES ± 0.0		DRAWING		
■ = 0	DRAFT WHERE APPLICABLE MUST REMAIN WITHIN DIMENSIONS		THIRD ANGLE PROJECTION	B-SIZE	70058
▽ = 0			SHEET NUMBER	1 OF 4	



NOTES:

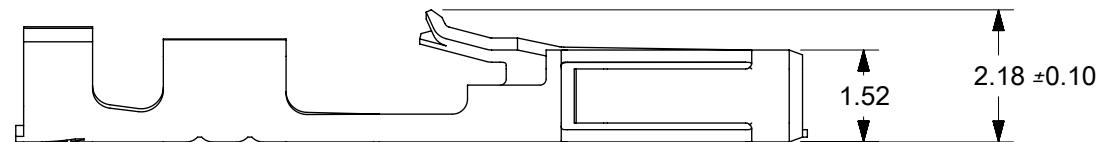
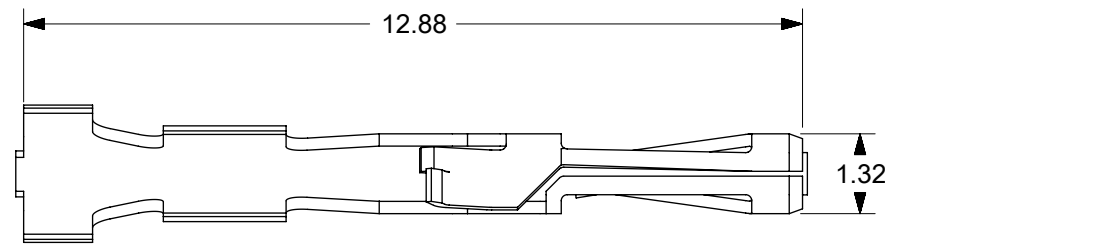
1. MATERIAL: PHOSPHOR BRONZE
2. PLATING:
 207 = SELECT HARD GOLD: 0.38 MICROMETERS MIN.
 SELECT TIN: 2.0 MICROMETERS MIN BOTH OVER NICKEL
 206 = SELECT HARD GOLD: 0.75 MICROMETERS MIN.
 SELECT TIN: 2.0 MICROMETERS MIN BOTH OVER NICKEL
3. PRODUCT SPECIFICATION: TERMINALS CONFORM TO PS-70058 AND PS-70400 WHEN CRIMPED WITH MOLEX CRIMP TOOLS.
4. COSMETIC SPECIFICATION: PS-45499-002 CLASS B
5. TERMINAL FOR USE WITH HOUSING SERIES 70066 AND 70450
6. WIRE SPECIFICATION: TERMINALS STAMPED WITH THE LETTER:
 B = ACCEPTS 32-36 AWG STRANDED WIRE WITH A 0.64 MAX INSULATION DIA.

**TERMINALS ON THIS SHEET ARE FOR USE
WITH 32-36 AWG WIRE.
SEE SHEETS 1 AND 3 FOR OTHER WIRE SIZES**

PART NUMBER / ENGINEERING NO	PACKAGING	PLATING SEE NOTE 2	WIRE SIZE	MAX INSULATION DIA
16-02-0074 70058-0015	REEL	207 0.38 GOLD	32-36	0.64 DIA MAX
16-02-0085 70058-0017	REEL			
16-02-0101 70058-0217	LOOSE	206 0.75 GOLD		

(32-36 AWG WIRE)

SYMBOLS	THIS DRAWING CONTAINS INFORMATION THAT IS PROPRIETARY TO MOLEX ELECTRONIC TECHNOLOGIES, LLC AND SHOULD NOT BE USED WITHOUT WRITTEN PERMISSION		CURRENT REV DESC: REMOVE NEW NOS		molex	
	DIMENSION UNITS	SCALE	EC NO: 600955			
▽ = 0	mm	8:1	DRWN: KSAMIEC 2018/07/23		SL CRIMP TERMINAL	
▽ = 0	GENERAL TOLERANCES (UNLESS SPECIFIED)		CHK'D: FSMITH 2018/08/27			
▽ = 0	ANGULAR TOL ± °		APPR: FSMITH 2018/08/27		PRODUCT CUSTOMER DRAWING	
▽ = 0	4 PLACES	±	INITIAL REVISION:			
▽ = 0	3 PLACES	±	DRWN: KSAMIEC 2018/07/23		DOCUMENT NUMBER	
▽ = 0	2 PLACES	± 0.25	APPR: FSMITH 2018/08/27			
▽ = 0	1 PLACE	± 0.15	DRWN: KSAMIEC 2018/07/23		700580001-SD	
▽ = 0	0 PLACES	± 0.0	APPR: FSMITH 2018/08/27			
▽ = 0	DRAFT WHERE APPLICABLE MUST REMAIN WITHIN DIMENSIONS		THIRD ANGLE PROJECTION	DRAWING	SERIES	MATERIAL NUMBER
▽ = 0				B-SIZE	70058	SEE CHART
			CUSTOMER	GENERAL MARKET		SHEET NUMBER
					2 OF 4	



TERMINALS STAMPED WITH THE LETTER "C"
ACCEPT 22-24 AWG WIRE WITH A 1.63 MAX INSULATION DIA

- NOTES:
- MATERIAL: PHOSPHOR BRONZE
 - PLATING:
 - 124 = SELECT BRIGHT TIN: 3.75 MICROMETERS MIN OVER NICKEL
 - P124 = PREPLATED BRIGHT TIN: 3.75 MICROMETERS MIN OVER MATTE NICKEL (BARE EDGES)
 - 207 = SELECT HARD GOLD: 0.38 MICROMETERS MIN.
SELECT TIN: 2.0 MICROMETERS MIN BOTH OVER NICKEL
 - 206 = SELECT HARD GOLD: 0.75 MICROMETERS MIN.
SELECT TIN: 2.0 MICROMETERS MIN BOTH OVER NICKEL
 - PRODUCT SPECIFICATION: TERMINALS CONFORM TO PS-70058 AND PS-70400 WHEN CRIMPED WITH MOLEX CRIMP TOOLS.
 - COSMETIC SPECIFICATION: PS-45499-002 CLASS B
 - TERMINAL FOR USE WITH HOUSING SERIES 70066 AND 70450
 - WIRE SPECIFICATION: TERMINALS STAMPED WITH THE LETTER:
C = ACCEPTS 22-24 AWG STRANDED WIRE WITH A 1.63 MAX INSULATION DIA

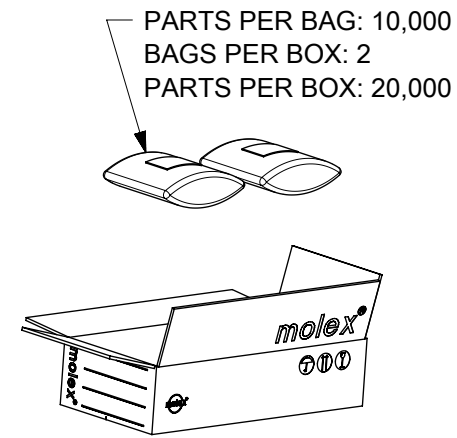
TERMINALS ON THIS SHEET ARE FOR USE
WITH 22-24 AWG WIRE.
SEE SHEETS 1 AND 2 FOR OTHER WIRE SIZES

PART NUMBER / ENGINEERING NO:	PACKAGING	PLATING SEE NOTE 2	WIRE SIZE	MAX INSULATION DIA
16-02-0086 70058-0022	REEL	124 SELECT TIN	22-24 AWG	1.63 DIA MAX
16-02-0102 70058-0222	LOOSE			
70058-4086	REEL	124 OVERALL TIN		
16-02-0087 70058-0024	REEL	207 0.38 GOLD		
16-02-0103 70058-0224	LOOSE			
16-02-0088 70058-0026	REEL	206 0.75 GOLD		
16-02-0104 70058-0226	LOOSE			

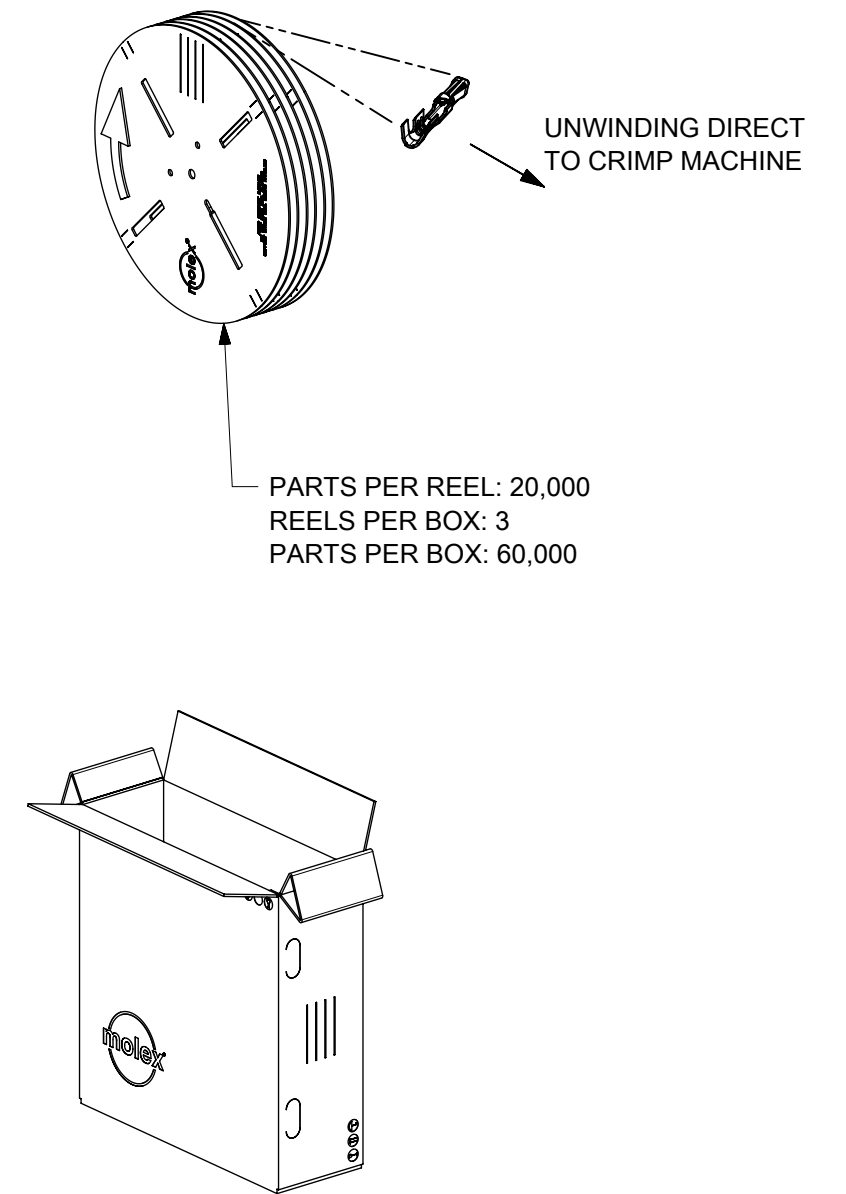
(22-24 AWG WIRE)

SYMBOLS	THIS DRAWING CONTAINS INFORMATION THAT IS PROPRIETARY TO MOLEX ELECTRONIC TECHNOLOGIES, LLC AND SHOULD NOT BE USED WITHOUT WRITTEN PERMISSION		CURRENT REV DESC: REMOVE NEW NOS		molex
	DIMENSION UNITS	SCALE	EC NO: 600955		
▽ = 0	mm	8:1	DRWN: KSAMIEC	2018/07/23	PRODUCT CUSTOMER DRAWING
▽ = 0	GENERAL TOLERANCES (UNLESS SPECIFIED)		CHK'D: FSMITH	2018/08/27	
▽ = 0	ANGULAR TOL ± °		APPR: FSMITH	2018/08/27	DOCUMENT NUMBER
▽ = 0	4 PLACES ±		INITIAL REVISION:		700580001-SD
▽ = 0	3 PLACES ±		DRWN: KSAMIEC		DOC TYPE
▽ = 0	2 PLACES ± 0.25		APPR: FSMITH		PSD
▽ = 0	1 PLACE ± 0.15		DRWN: KSAMIEC		DOC PART
▽ = 0	0 PLACES ± 0.0		APPR: FSMITH		000
▽ = 0	DRAFT WHERE APPLICABLE MUST REMAIN WITHIN DIMENSIONS		THIRD ANGLE PROJECTION	DRAWING	REVISION
▽ = 0			B-SIZE	SERIES	A
			70058	MATERIAL NUMBER	SEE CHART
				CUSTOMER	GENERAL MARKET
					SHEET NUMBER
					3 OF 4

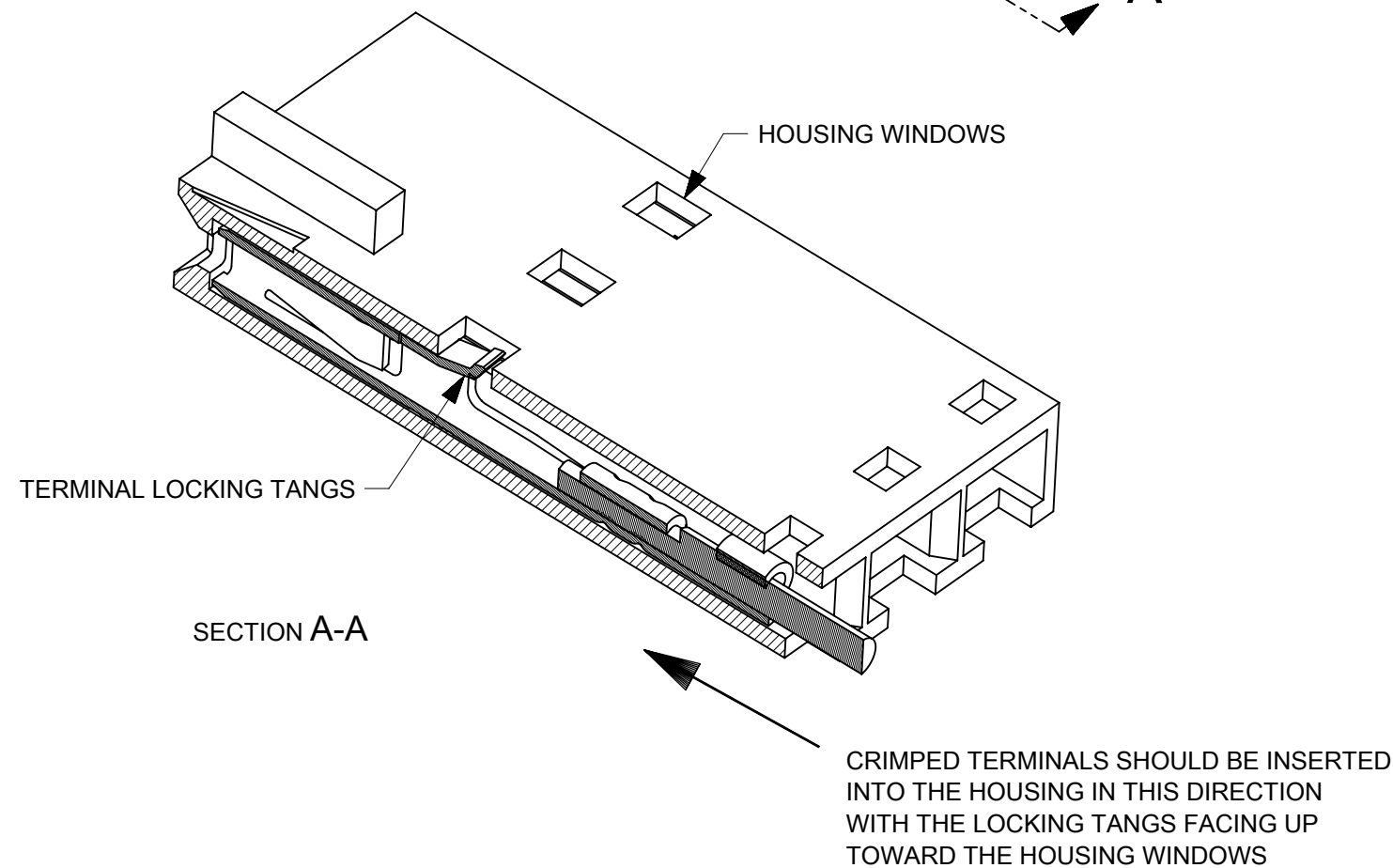
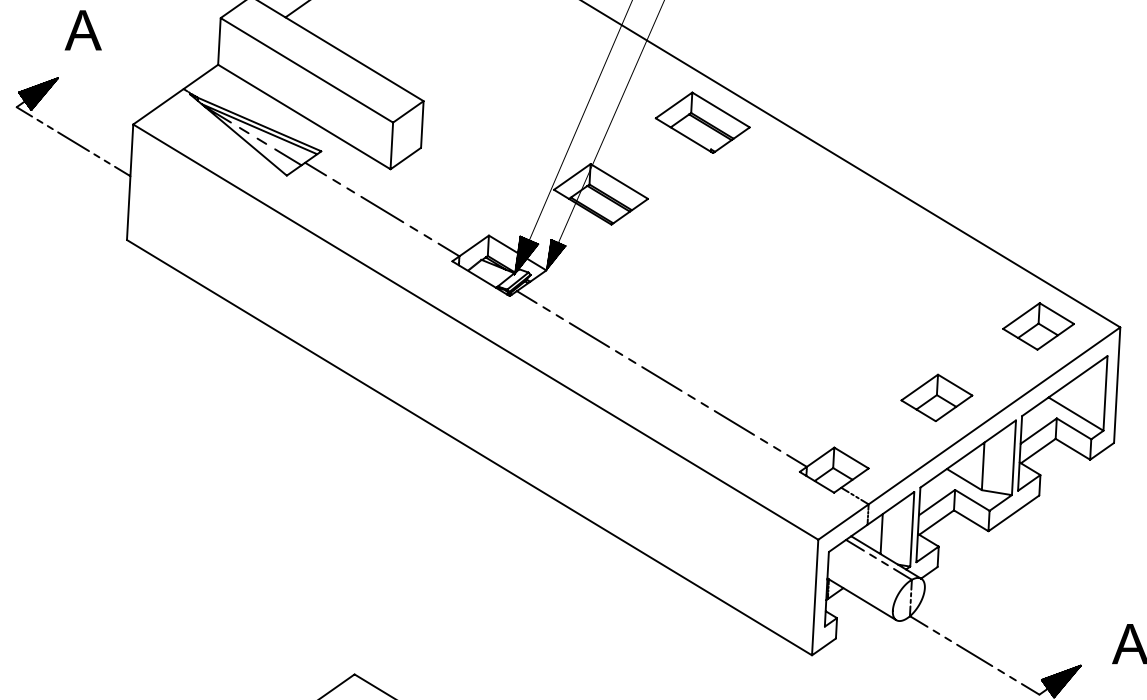
LOOSE PACKED



REEL PACKED



WHEN TERMINALS ARE FULLY INSERTED INTO THE HOUSINGS. THE TERMINAL'S LOCKING TANG SHOULD BE VISABLE IN THE HOUSING'S WINDOWS



SYMBOLS	THIS DRAWING CONTAINS INFORMATION THAT IS PROPRIETARY TO MOLEX ELECTRONIC TECHNOLOGIES, LLC AND SHOULD NOT BE USED WITHOUT WRITTEN PERMISSION													
	DIMENSION UNITS		SCALE		CURRENT REV DESC: REMOVE NEW NOS						molex			
	mm		1:15											
	GENERAL TOLERANCES (UNLESS SPECIFIED)										SL CRIMP TERMINAL			
	ANGULAR TOL ± °													
	▽ = 0	4 PLACES		±		EC NO: 600955						PRODUCT CUSTOMER DRAWING		
	▽ = 0	3 PLACES		±		DRWN: KSAMIEC 2018/07/23								
	▽ = 0	2 PLACES		± 0.25		CHK'D: FSMITH 2018/08/27						DOCUMENT NUMBER		
	▽ = 0	1 PLACE		± 0.15		APPR: FSMITH 2018/08/27								700580001-SD
	▽ = 0	0 PLACES		± 0.0		INITIAL REVISION:						PSD 000 A		
▽ = 0	DRAFT WHERE APPLICABLE MUST REMAIN WITHIN DIMENSIONS		THIRD ANGLE PROJECTION		DRAWING		SERIES		MATERIAL NUMBER		CUSTOMER			SHEET NUMBER
▽ = 0					B-SIZE		70058		SEE CHART		GENERAL MARKET		4 OF 4	