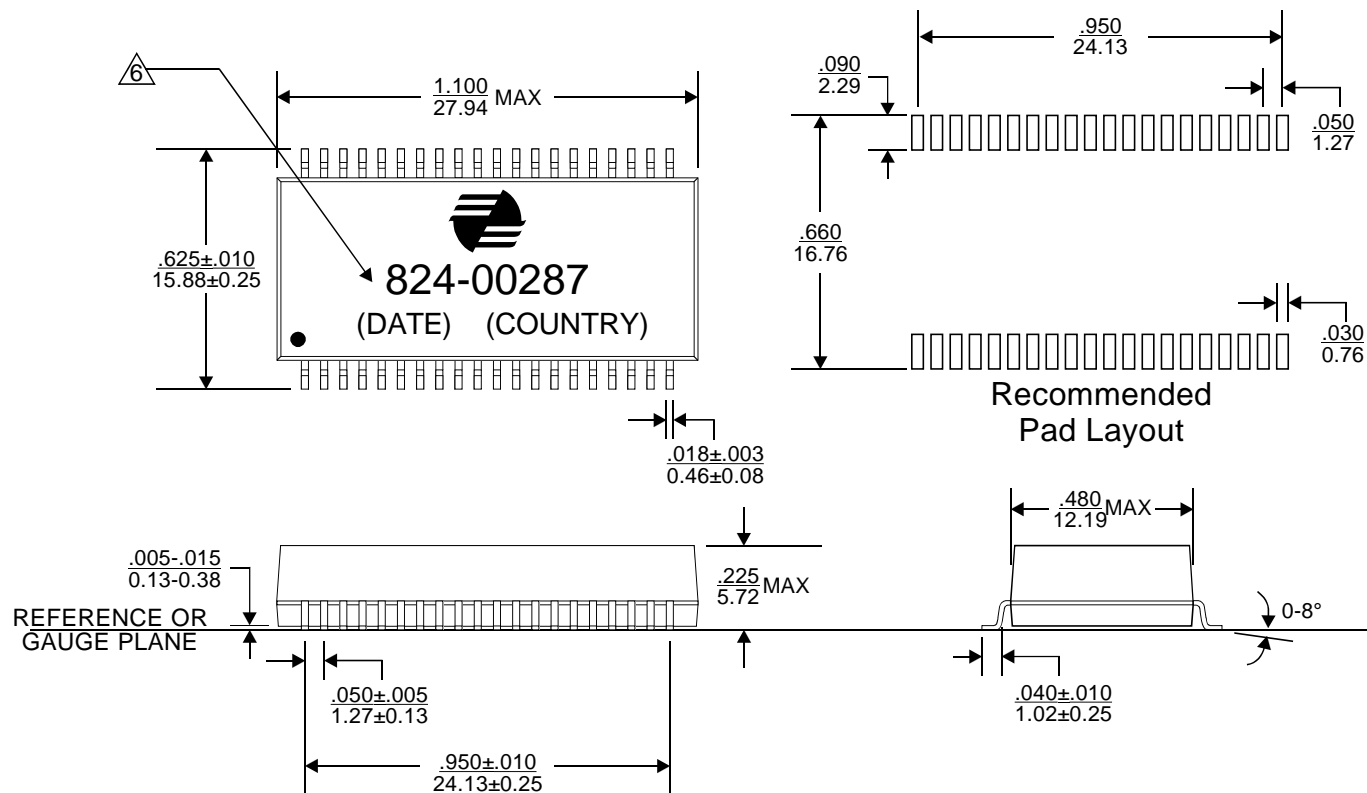


REVISIONS			
REV.	DESCRIPTION	ECN NO.	DATE
01	FIRST RELEASE	N/A	09/08/04

PART NUMBER	SOLDER CONTENT	PART DESCRIPTION	TITLE
824-00287	Sn/Pb	Standard version, containing lead	TRANSFORMER, 100BASE-T, DUAL, SOIC, 40 PIN
824-00287F	Sn/Ag/Cu	Lead(Pb)-Free version	

<p align="center"><u>WARNING !</u></p> <p>ALL SHEETS OF THIS DOCUMENT ARE CONTROLLED DOCUMENTATION AND ARE NOT TO BE RELEASED OUTSIDE OF E&E OR ITS SUB-CONTRACTORS WITHOUT AUTHORIZATION.</p>	<p>UNLESS OTHERWISE SPECIFIED, DIMENSIONS ARE IN INCH/mm.</p> <p align="center"><u>TOLERANCE ARE:</u></p> <table border="0"> <tr> <td>INCH</td> <td>mm</td> <td>ANGLE</td> </tr> <tr> <td>.XXX ± .005</td> <td>.XX ± .13</td> <td>X.X ± 0.3</td> </tr> <tr> <td>.XX ± .02</td> <td>.X ± .5</td> <td>X. ± 1</td> </tr> </table>	INCH	mm	ANGLE	.XXX ± .005	.XX ± .13	X.X ± 0.3	.XX ± .02	.X ± .5	X. ± 1	<p align="center">APPROVALS</p> <p>DATE</p>	 <p align="center">E & E Magnetic Products Ltd.</p>
		INCH	mm	ANGLE								
		.XXX ± .005	.XX ± .13	X.X ± 0.3								
		.XX ± .02	.X ± .5	X. ± 1								
		<p>DRAWN BY</p> <p align="center">S. CHEUNG</p>	<p>09/08/04</p>	<p>DRAWING NO./MODEL</p> <p align="center">824-00287</p>	<p>REV</p> <p align="center">01</p>							
<p>PROJ. ENG</p> <p align="center">D. YUNG</p>	<p>09/08/04</p>											
<p>APPROVED BY</p> <p align="center">V. TSUI</p>	<p>09/08/04</p>	<p>SCALE</p> <p align="center">DO NOT SCALE</p>	<p>PAGE</p> <p align="center">1</p>	<p>OF</p> <p align="center">3</p>								
<p>Q.A.</p> <p align="center">C.M. TSUI</p>	<p>09/08/04</p>											



1. Dimensions are specified in $\frac{\text{inches}}{\text{mm}}$ with higher precedence in inches.
2. Unless otherwise specified, all tolerances are $\pm .010$ / 0.25 .
3. Coplanarity: $\frac{.004}{0.10}$ max.
4. "(DATE)" includes at least the manufacturing date code (in YYWW format).
5. Dimensions are to be measured in accordance with JEDEC standard 95-1.

6. For lead-free version, 824-00287F, the part will be marked with "824-00287F", instead of "824-00287".

MECHANICAL OUTLINE



E & E Magnetic Products Ltd.

DRAWING NO./MODEL

824-00287

REV

01

SCALE

DO NOT SCALE

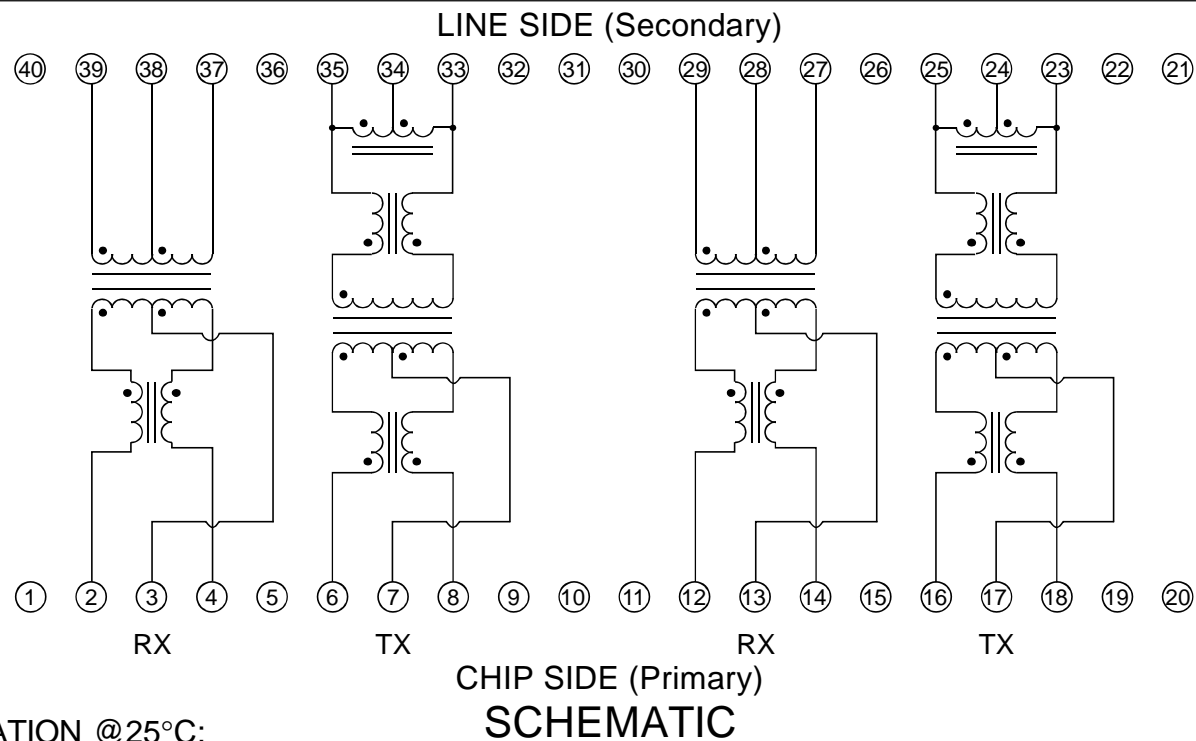
PAGE

OF

2

OF


3



ELECTRICAL SPECIFICATION @25°C:

PARAMETERS	UNIT	Tx-Side	Rx-Side
Turns Ratio (Primary):(Secondary)	-	1CT:1 ± 3%	1CT:1CT ± 3%
Polarity (Primary):(Secondary)	-	Per Schematic	Per Schematic
Inductance, Ls (Primary) @100kHz, 0.1Vrms, 8mADC	uH	350 Min	350 Min
Insertion Loss @0.1-100MHz	dB	1.1 Max	1.1 Max
Return Loss @1-30MHz	dB	18.0 Min	18.0 Min
Return Loss @40MHz	dB	15.5 Min	15.5 Min
Return Loss @50MHz	dB	13.5 Min	13.5 Min
Return Loss @60-80MHz	dB	12.0 Min	12.0 Min
CMRR @0.1-100MHz (for reference only)	dB	35.0 Min	35.0 Min
Crosstalk @0.1-100MHz (for reference only)	dB	35.0 Min	
HIPOT (Primary):(Secondary)	Vrms	1500 Min	1500 Min

7. Operating temperature : 0°C to +70°C.

 E & E Magnetic Products Ltd.		DRAWING NO./MODEL	REV
		824-00287	01
SCALE	PAGE	OF	
DO NOT SCALE	3	3	3