

**PLEASE CHECK WWW.MOLEX.COM FOR LATEST PART INFORMATION**

**Part Number:** **5600850101**  
**Status:** **Active**  
**Overview:** DuraClik Connector System  
**Description:** DuraClik Crimp Terminal, Female, 22-26 AWG, Reel

**Documents:**

[Drawing \(PDF\)](#) [Packaging Specification PK-560085-001-001 \(PDF\)](#)  
[Product Specification PS-502351-001-001 \(PDF\)](#) [RoHS Certificate of Compliance \(PDF\)](#)  
[Application Specification AS-560085-001-JP-001 \(PDF\)](#)

**General**

Product Family Crimp Terminals  
Series 560085  
Application Automotive, Power, Signal, Wire-to-Board  
Crimp Quality Equipment Yes  
Overview DuraClik Connector System  
Product Name DuraClik  
UPC 887191151892

**Physical**

Gender Female  
Material - Metal Phosphor Bronze  
Material - Plating Mating Tin  
Material - Plating Termination Tin  
Net Weight 48.880/mg  
Packaging Type Reel  
Termination Interface: Style Crimp or Compression  
Wire Insulation Diameter 1.40mm  
Wire Size AWG 22, 24, 26  
Wire Size mm<sup>2</sup> 0.34

**Electrical**

Voltage - Maximum 125V

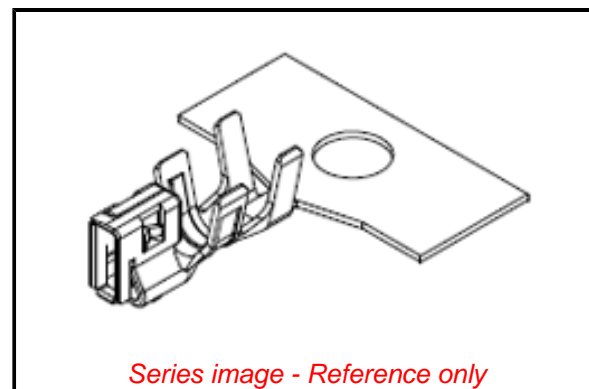
**Solder Process Data**

Lead-freeProcess Capability N/A

**Material Info**

**Reference - Drawing Numbers**

Application Specification AS-560085-001-JP-001  
Packaging Specification PK-560085-001-001  
Product Specification PS-502351-001-001  
Sales Drawing SD-560085-001



Series image - Reference only

**EU ELV**

**Compliant**

**EU RoHS**

**Compliant**

**REACH SVHC**

Not Contained Per -  
D(2020)4578-DC (25  
June 2020)

**Halogen-Free**

**Status**

**Low-Halogen**

For more information, please visit [Contact US](#)

China ROHS

ELV

RoHS Phthalates

**China RoHS**

Green Image

Compliant

Not Contained

**Search Parts in this Series**

560085 Series

**Use With**

502351 DuraClik Wire-to-Board Receptacle Housing

**Application Tooling | FAQ**

*Tooling specifications and manuals are found by selecting the products below. Crimp Height Specifications are then contained in the Application Tooling Specification document.*

**Global**

Description	Product #
Extraction Tool	<u>11030043</u>
FineAdjust Applicator for 2.0 Wire-to-Board Crimp Receptacle Terminal and SMEC Crimp Receptacle Terminals, 22-26 AWG and AVSS 0.3 Wires	<u>2037021900</u>

Hand Crimp Tool 638235100  
for 2.00mm Pitch  
Wire-to-Board Crimp  
Terminal

This document was generated on 07/16/2020

**PLEASE CHECK [WWW.MOLEX.COM](http://WWW.MOLEX.COM) FOR LATEST PART INFORMATION**