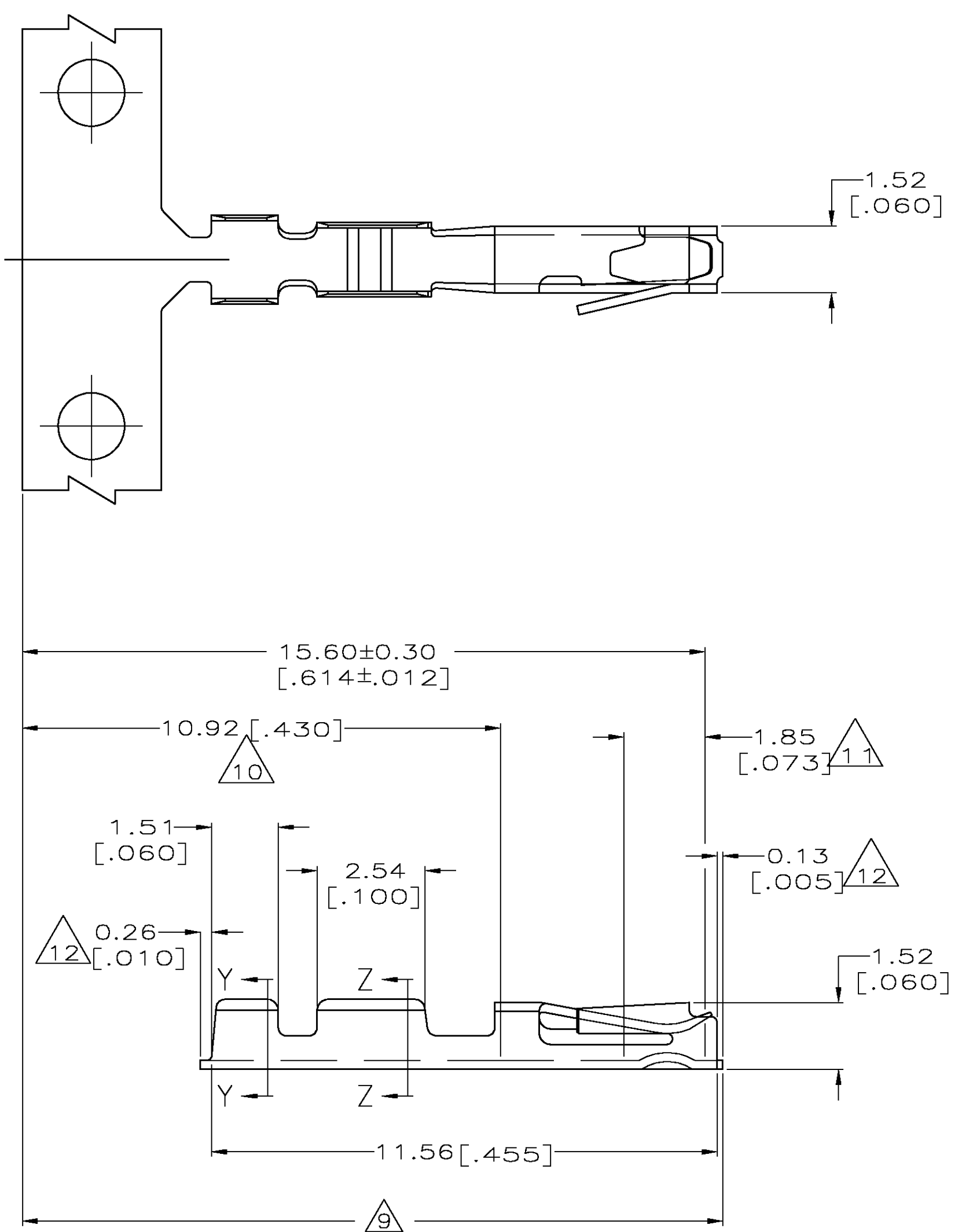
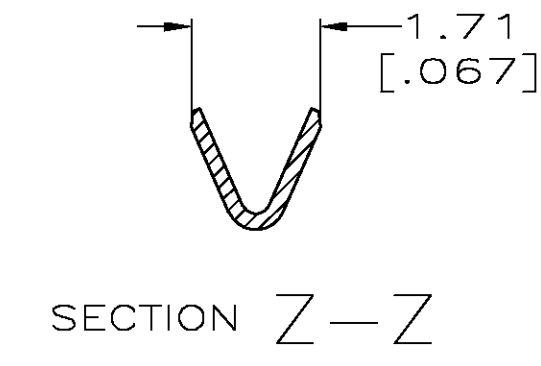
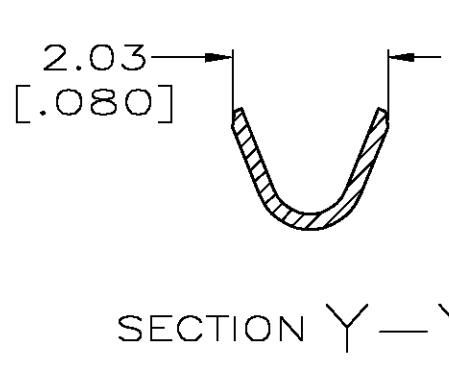


THIS DRAWING IS UNPUBLISHED. RELEASED FOR PUBLICATION  
 © COPYRIGHT BY TYCO ELECTRONICS CORPORATION. ALL RIGHTS RESERVED.

LOC		DIST		REVISIONS			
P	LTR	DESCRIPTION		DATE	DWN	APVD	
	F	ADD 9- -0 & 9- -1 PER OS12-0217-03		18NOV03	AWF	AWF	



1. WIRE RANGE 22-26 AWG.
2. INSULATION RANGE 0.91-1.37 [.036-.054] DIA.
3. 0.00254 [.000100] MIN TIN-LEAD OVER 0.000762 [.000030] MIN NICKEL.
4. PREPLATED 0.00127 [.000050] MIN TIN-LEAD IN ZONES I & II, 0.000762 [.000030] MIN GOLD OVER 0.000762 [.000030] MIN NICKEL INLAY IN ZONE III.
5. PREPLATED 0.00127 [.000050] MIN TIN-LEAD IN ZONES I & II, 0.00127 [.000050] MIN GOLD OVER 0.000762 [.000030] MIN NICKEL INLAY IN ZONE III.
6. PREPLATED 0.00127 [.000050] MIN TIN-LEAD IN ZONES I & II, 0.000381 [.000015] MIN GOLD OVER 0.000762 [.000030] MIN NICKEL INLAY IN ZONE III.
7. PHOSPHOR BRONZE.
8. OBSOLETE.
9. ZONE I (OUTSIDE SURFACES).
10. ZONE II (INSIDE SURFACES).
11. ZONE III (INSIDE SURFACES).
12. MAXIMUM CUTOFF.
13. PREPLATED 0.00127 [.000050] MIN TIN IN ZONES I & II, 0.00127 [.000050] MIN GOLD OVER 0.000762 [.000030] MIN NICKEL INLAY IN ZONE III.



FINISH	LOOSE PIECE PART NO	STRIP PART NO
13	9-531224-1	9-531224-0
5	531224-9	531224-8
4	531224-7	531224-6
6	531224-5	531224-4
3	531224-3	531224-2

THIS DRAWING IS A CONTROLLED DOCUMENT.

DWN B. HAYMAKER 25JAN99	Tyco Electronics Corporation Harrisburg, PA, 17105				
CHK S. BOLASH 25JAN99					
APVD S. BOLASH 25JAN99					
NAME S. BOLASH					
DIMENSIONS: MM	PRODUCT SPEC 108-25031	SIZE A2	CAGE CODE 00779	DRAWING NO C=531224	RESTRICTED TO -
TOLERANCES UNLESS OTHERWISE SPECIFIED: 0 PLC ± - 1 PLC ± - 2 PLC ± - 3 PLC ± 0.13[.005] 4 PLC ± - ANGLES ± 1°	APPLICATION SPEC 114-25021	SCALE 4:1	SHEET 1 OF 1	REV F	
MATERIAL 7	FINISH 3 4 5 6 13	WEIGHT -	CUSTOMER DRAWING		