

PLEASE CHECK WWW.MOLEX.COM FOR LATEST PART INFORMATION

Part Number: [0345860001](#)
Status: **Active**
Overview: [MX123 Sealed Connection System](#)
Description: [MX123 0.64mm Grommet Seal Plug](#)

Documents:

[Drawing \(PDF\)](#) [Packaging Specification PK-31300-348-001 \(PDF\)](#)
[Product Specification PS-34566-0000-001 \(PDF\)](#) [RoHS Certificate of Compliance \(PDF\)](#)

General

| | |
|----------------|--|
| Product Family | Accessories |
| Series | 34586 |
| Application | Automotive |
| Component Type | Voiding Key |
| Overview | MX123 Sealed Connection System |
| Product Name | MX123 |
| UPC | 822348345656 |

Physical

| | |
|---------------------|-------------|
| Circuits (Loaded) | 1 |
| Circuits (maximum) | 1 |
| Color - Resin | Gray |
| Lock to Mating Part | No |
| Material - Resin | Nylon Alloy |
| Net Weight | 0.064/g |
| Packaging Type | Bag |

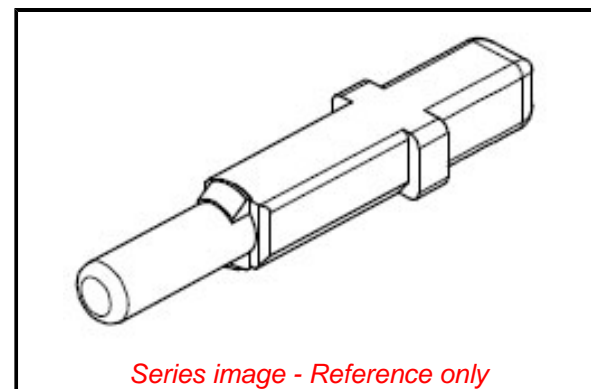
Solder Process Data

| | |
|-----------------------------|-----|
| Lead-freeProcess Capability | N/A |
|-----------------------------|-----|

Material Info

Reference - Drawing Numbers

| | |
|-------------------------|-------------------|
| Packaging Specification | PK-31300-348-001 |
| Product Specification | PS-34566-0000-001 |
| Sales Drawing | SD-34586-001-001 |



EU ELV

Compliant

EU RoHS

Compliant

REACH SVHC

Not Contained Per -
D(2022)4187-DC (10
June 2022)

Halogen-Free

Status

Low-Halogen

For more information, please visit [Contact US](#)

China ROHS

ELV

RoHS Phthalates

China RoHS

Not Relevant

Compliant

Not Contained

Search Parts in this Series

[34586](#) Series

Use With

MX123 Female Receptacle Housing [34566](#) ,
[34576](#)