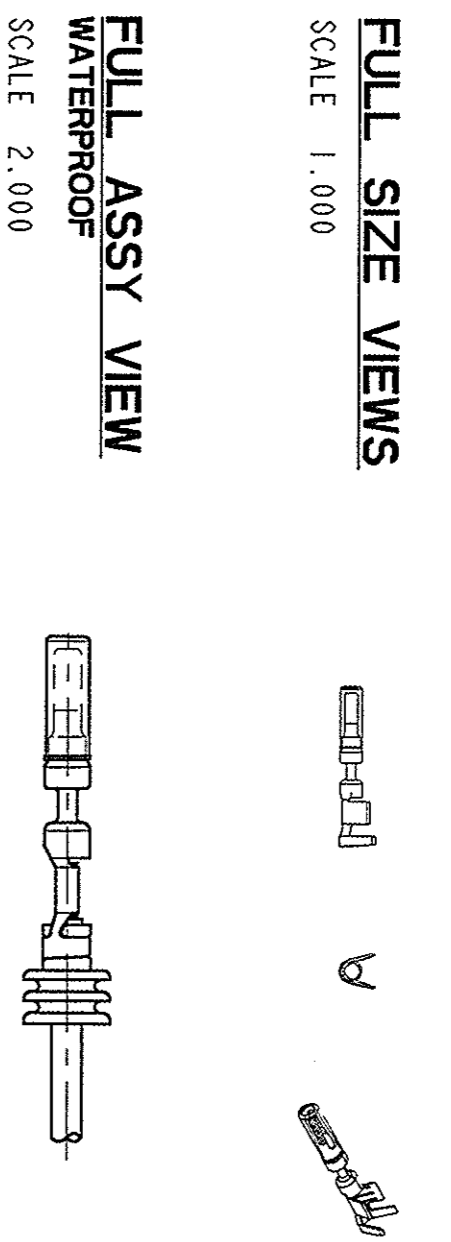
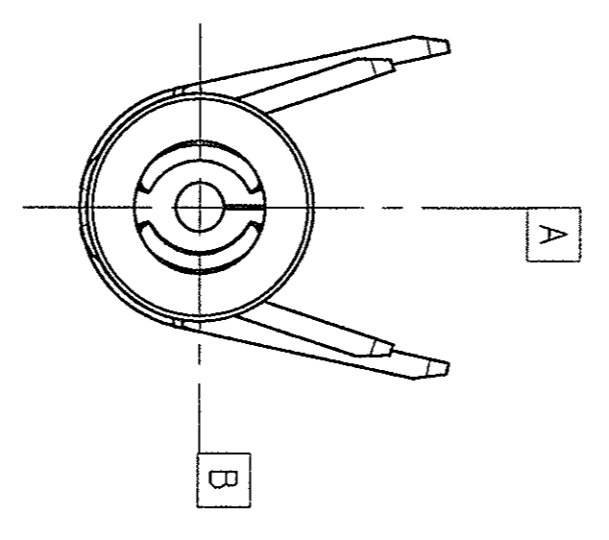
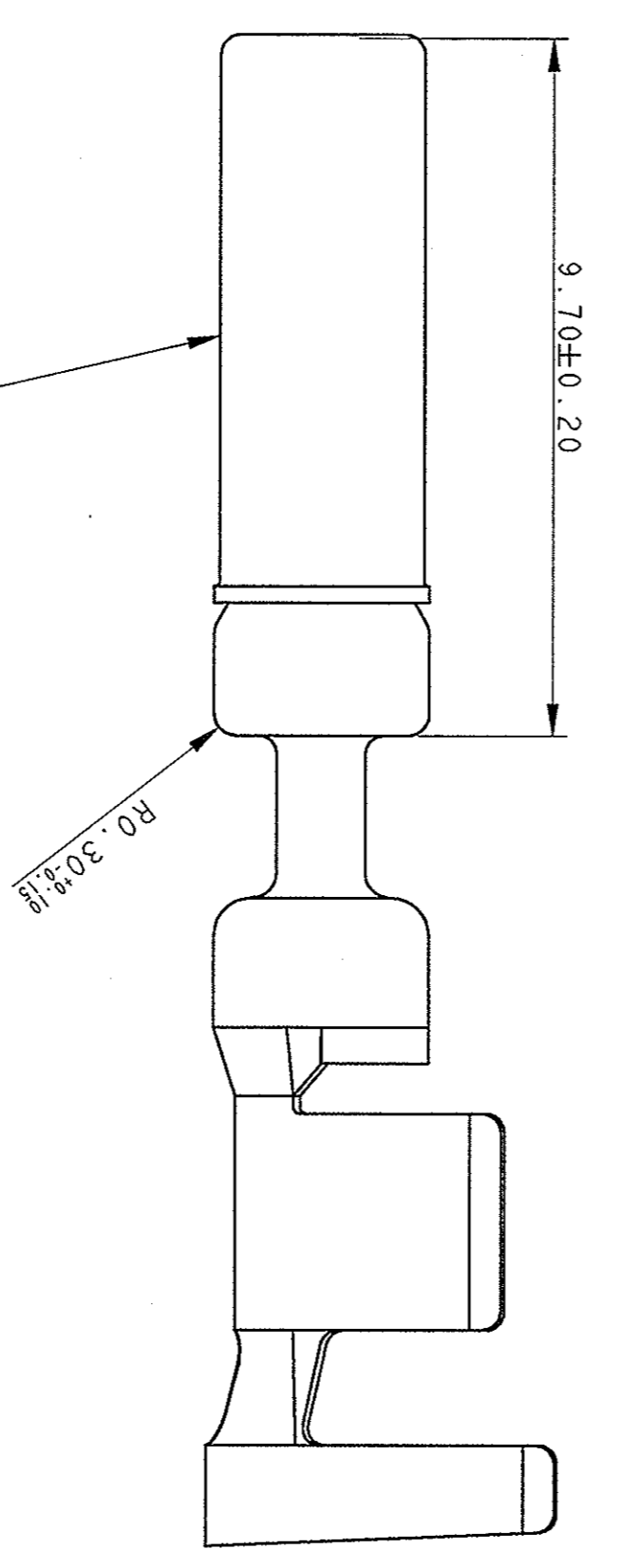
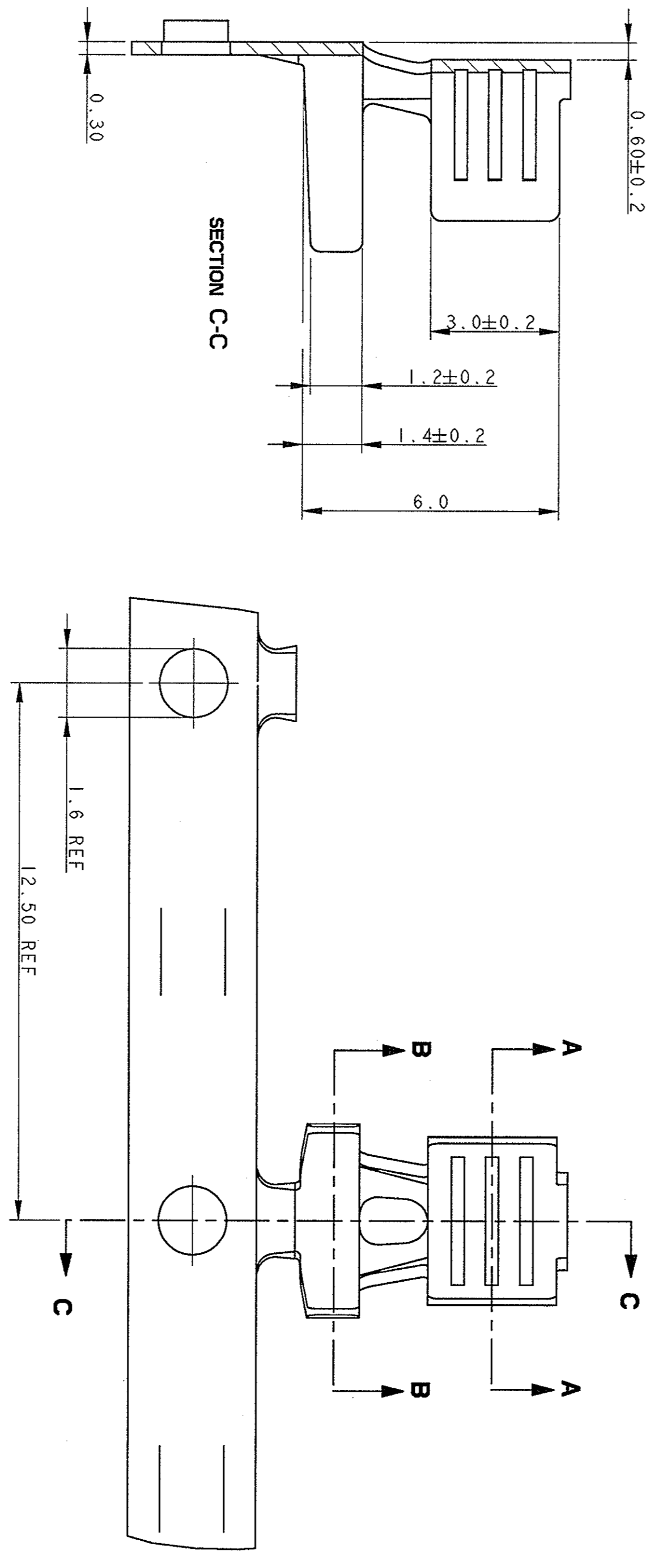


CRIMP TYPE	CRIMP AREA DIMENSION										CRIMP CODE
	Bc	Dc	Hc	Bi	Di	Hi					
I	3.70	1.80	3.90	4.70	2.60	4.90					[Symbol]
	±0.15	±0.2	±0.15	±0.15	±0.2	±0.15					
b	2.60	1.20	2.90	3.60	2.00	4.00					[Symbol]
	±0.15	±0.2	±0.15	±0.15	±0.2	±0.15					
d	2.00	0.80	2.20	2.80	1.60	3.00					[Symbol]
	±0.15	±0.2	±0.15	±0.15	±0.2	±0.15					



VIEW WITHOUT SLEEVE



- 1 SUPERSEDES 2-14377709-5
- 2 SUPERSEDES 2-14377709-6
- 3 SUPERSEDES 2-14377709-7

P/N	PART REV.	DESCRIPTION	WATERPROOF	WIRE CROSS SEC. AREA	CRIMP CODE	CRIMP SPEC.	WEIGHT	COMPONENTS			MATERIALS	
								TERMINAL	SLEEVE	WIRE SEAL	TERMINAL	SLEEVE
1-1437709-4	B	TERMINAL FEMALE TIN PLT.	YES	0.22-0.35mm ²	[Symbol]		0.402gr.					
1-1437709-5	B	TERMINAL FEMALE TIN PLT.	YES	0.50-1.00mm ²	[Symbol]		0.422gr.	SEE CHART				
1-1437709-6	B	TERMINAL FEMALE TIN PLT.	YES	1.50-2.50mm ²	[Symbol]		0.443gr.					
1-1437709-4	B	TERMINAL FEMALE TIN PLT.	NO	0.22-0.35mm ²	[Symbol]		0.402gr.					
2-1437709-8	P	TERMINAL FEMALE TIN PLT.	NO	0.50-1.00mm ²	[Symbol]	AC/T/18/95	0.422gr.					
1-1437709-5	B	TERMINAL FEMALE TIN PLT.	NO	0.50-1.00mm ²	[Symbol]		0.422gr.					
1-1437709-6	B	TERMINAL FEMALE TIN PLT.	NO	1.50-2.50mm ²	[Symbol]		0.443gr.					

COMPONENTS SUPPLIED APART		TO FIT IN CAVITY	
WIRE SEAL	TYPE	DESCRIPTION	
1-1437713-1 (0.22-0.35) BLACK			
1-1437713-2 (0.50-1.00) RED			
1-1437713-3 (1.50) BLUE			
	AC/T/19/195	CAVITY TERMINAL FEMALE	

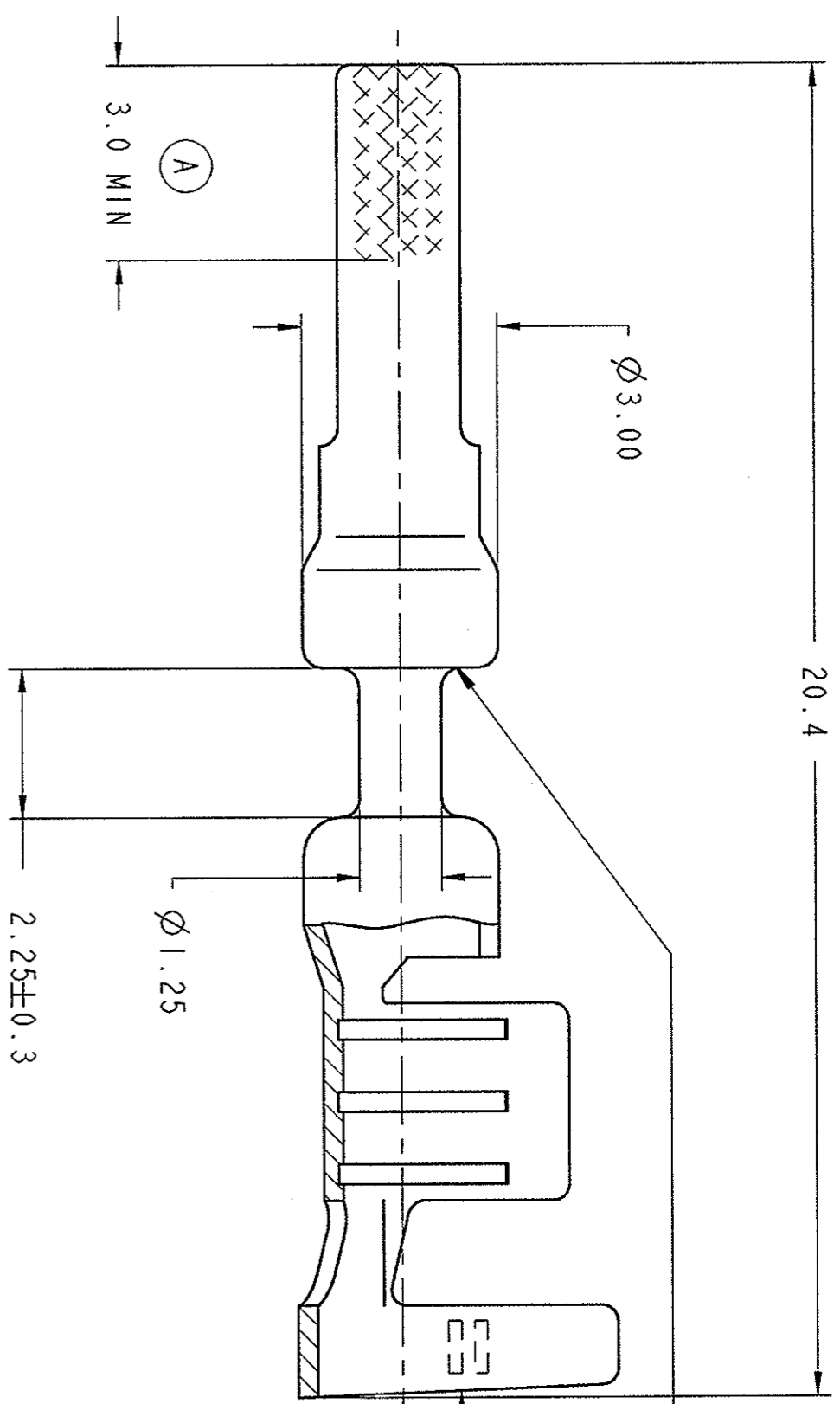
TERMINAL FEMALE TIN PLATED

1.6 SYSTEM

tyco Electronics AMP ITALIA S.p.A.
 Case F.lli Cervi, 15 Collighe (TO)

00779

10.1

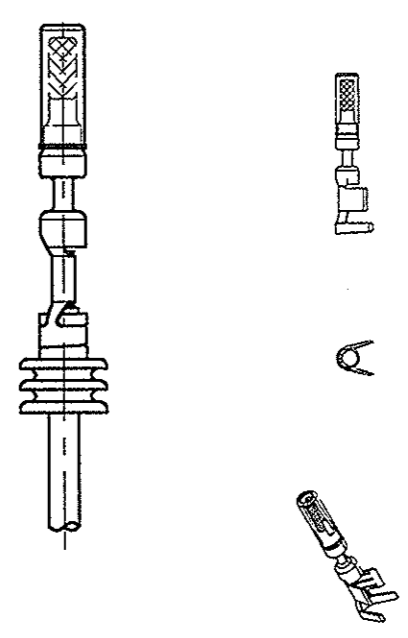


NECK DOWN AREA OF TERMINAL MUST NOT BREAK-OFF OR FRACTURE WHEN FRONT OF TERMINAL IS BENT IN ANY DIRECTION TO AN ANGLE OF 20° MIN OFF THE CENTERLINE OF TERMINAL.

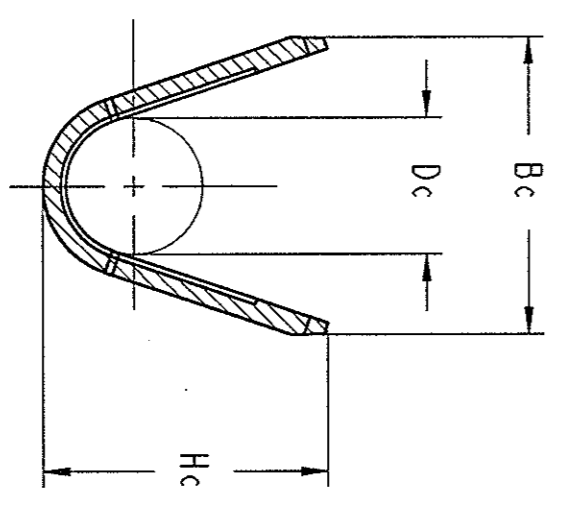
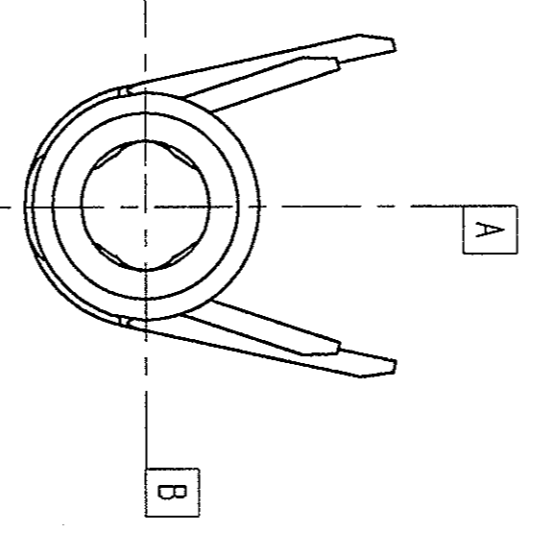
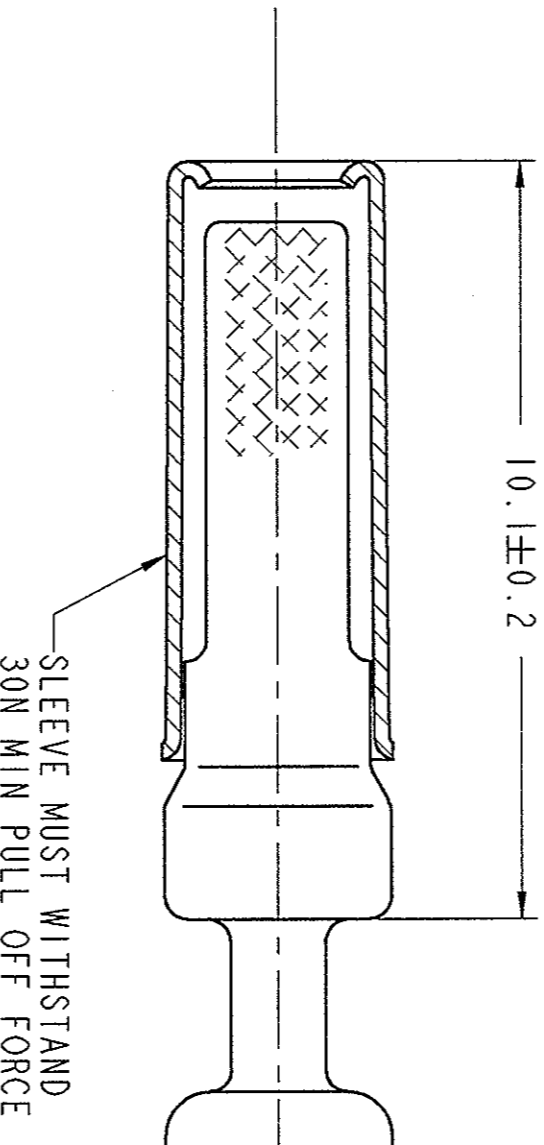
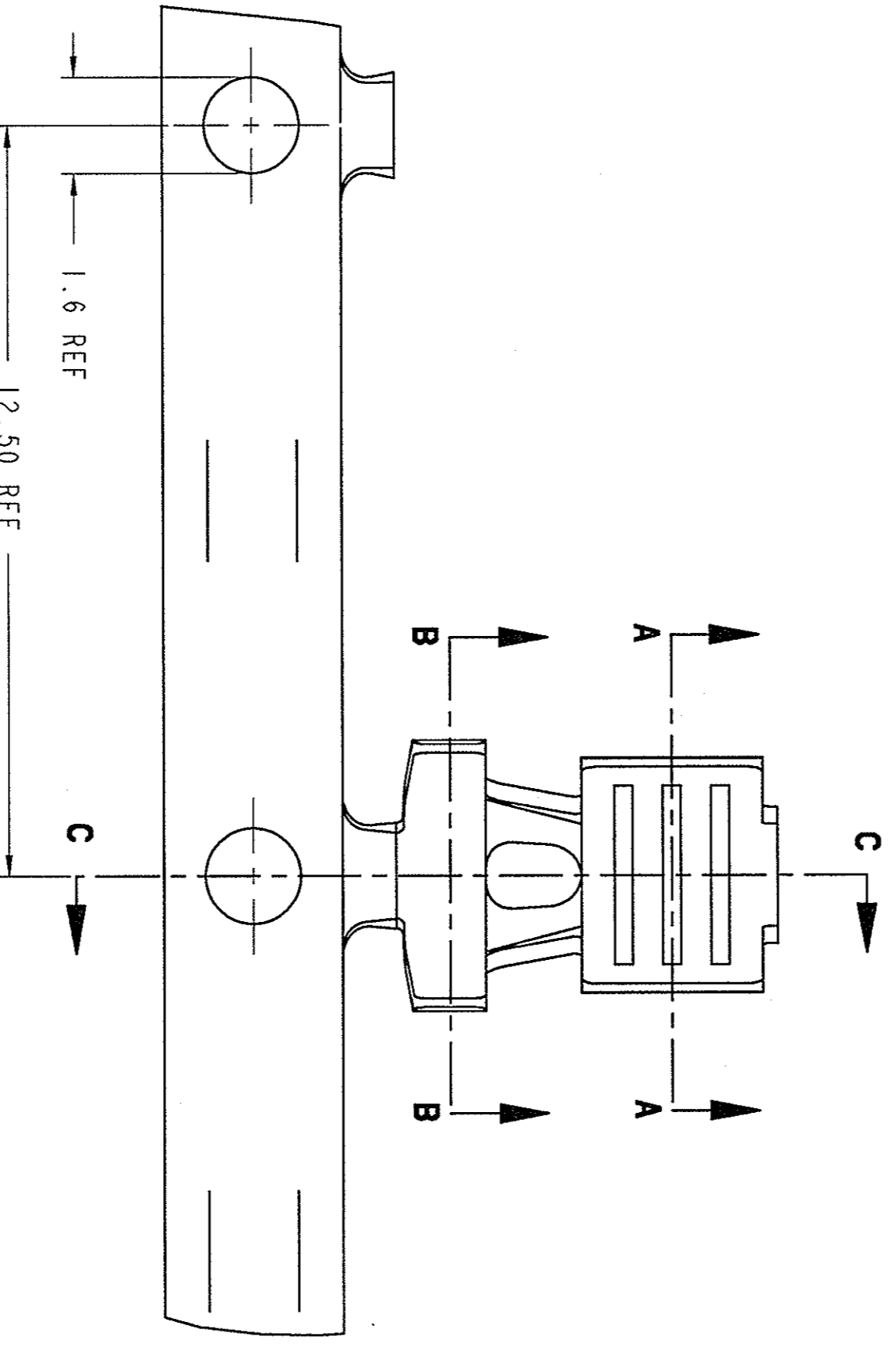
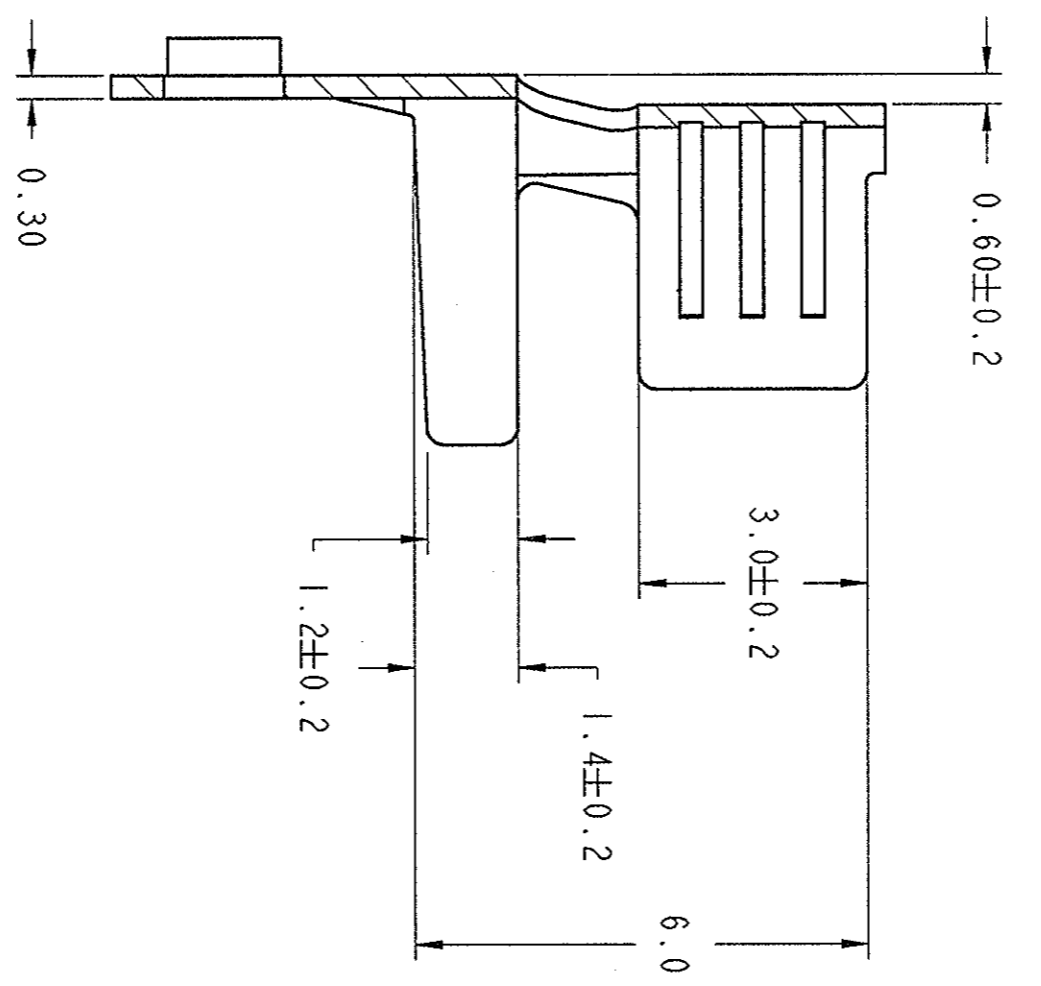
CRIMP TYPE	CRIMP AREA DIMENSION										CRIMP CODE			
	Bc	Dc	Hc	Bi	Di	Hi								
I	c	3.70	±0.15	1.80	±0.2	3.90	±0.15	4.70	±0.15	2.60	±0.2	4.90	±0.15	[Symbol]
	b	2.60	±0.15	1.20	±0.2	2.90	±0.15	3.60	±0.15	2.00	±0.2	4.00	±0.15	
0	d	2.00	±0.15	0.80	±0.2	2.20	±0.15	2.80	±0.15	1.60	±0.2	3.00	±0.15	[Symbol]

FULL SIZE VIEWS
SCALE 1:000

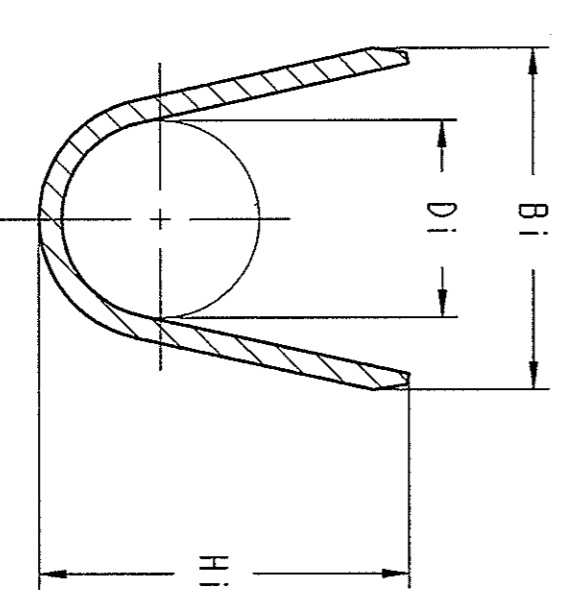
FULL ASSY VIEW
WATERPROOF
SCALE 2:000



SECTION C-C



SECTION A-A



SECTION B-B

1 SUPERSEDES 2-1437709-0
2 SUPERSEDES 2-1437709-1

PART AS SUPPLIED

P/N	PART REV.	DESCRIPTION	WATERPROOF	WIRE CROSS SEC. AREA	CRIMP CODE	CRIMP SPEC.	WEIGHT	TERMINAL	SLEEVE	WIRE SEAL	TERMINAL	SLEEVE	GREASE
0-1437709-9	A	TERMINAL FEMALE GOLD P.T.	YES	0.22-0.35mm ²	[Symbol]	AC/T/18/95	0.402gr.	1	1	SEE CHART	DIN 17670 (Cus96) GOLD PLATED AT LOCATION A	ALLOY 230 RICH LOW BRASS	INORGANIC GELLED SYNTHETIC HYDROCARBON OIL
0-1437709-0	A	TERMINAL FEMALE GOLD P.T.	NO	0.50-1.00mm ²	[Symbol]	AC/T/18/95	0.422gr.	1	1	NOT USED			
0-1437709-7	A	TERMINAL FEMALE GOLD P.T.	NO	1.50-2.50mm ²	[Symbol]	AC/T/18/95	0.443gr.	1	1				
0-1437709-9	A	TERMINAL FEMALE GOLD P.T.	NO	0.22-0.35mm ²	[Symbol]	AC/T/18/95	0.402gr.	1	1				
0-1437709-0	A	TERMINAL FEMALE GOLD P.T.	NO	0.50-1.00mm ²	[Symbol]	AC/T/18/95	0.422gr.	1	1				
0-1437709-7	A	TERMINAL FEMALE GOLD P.T.	NO	1.50-2.50mm ²	[Symbol]	AC/T/18/95	0.443gr.	1	1				

COMPONENTS SUPPLIED APART

WIRE SEAL	TYPE	DESCRIPTION
1-1437713-1 (0.22-0.35) BLACK		CAVITY TERMINAL FEMALE
1-1437713-2 (0.50-1.00) RED		
1-1437713-3 (1.50) BLUE		

TO FIT IN CAVITY

THE INFORMATION CONTAINED HEREIN IS UNCLASSIFIED, DATE 2008 BY TIPO ELECTRONICS CORPORATION. ALL RIGHTS RESERVED.

DATE: 20 JUN 2007

DESIGNER: R. MARTELLI

PRODUCT SPEC: 108-20280

APPLICATION SPEC: 114-20121

WEIGHT: -

CUSTOMER DRAWING: -

DATE: 20 JUN 2007

SCALE: 10:1

SIZE: CODE CODE DRAWING NO: 00779

SCALE: 10:1

SHEET: 2 OF 2

REV: P

TIPO Electronics
TIPO Electronics S.p.A.
Via E. Mattei, 15
00198 Roma, Italy

1-6 SYSTEM
TERMINAL FEMALE
GOLD PLATED