

PLEASE CHECK WWW.MOLEX.COM FOR LATEST PART INFORMATION

Part Number: **5601240101**
Status: **Active**
Overview: DuraClik Connector System
Description: DuraClik ISL Wire-to-Board Crimp Receptacle Terminal, Female, AVSS 0.3 Square Wire, Tin

Documents:

3D Model	Application Specification AS-560123-001-001 (PDF)
3D Model (PDF)	Packaging Specification PK-560124-001-001 (PDF)
Drawing (PDF)	Datasheet (PDF)
Product Specification PS-560123-001-001 (PDF)	RoHS Certificate of Compliance (PDF)
Product Specification PS-560123-003-001 (PDF)	

General

Product Family	Crimp Terminals
Series	560124
Application	Automotive, Signal, Wire-to-Board
Crimp Quality Equipment	Yes
Overview	<u>DuraClik Connector System</u>
Product Name	DuraClik
UPC	887191705569

Physical

Gender	Female
Material - Metal	Copper Alloy
Material - Plating Mating	Tin
Material - Plating Termination	Tin
Net Weight	0.063/g
Packaging Type	Reel
Termination Interface: Style	Crimp or Compression
Wire Insulation Diameter	1.40mm
Wire Size AWG	22
Wire Size mm ²	0.35

Electrical

Current - Maximum per Contact	3.0A
Voltage - Maximum	125V

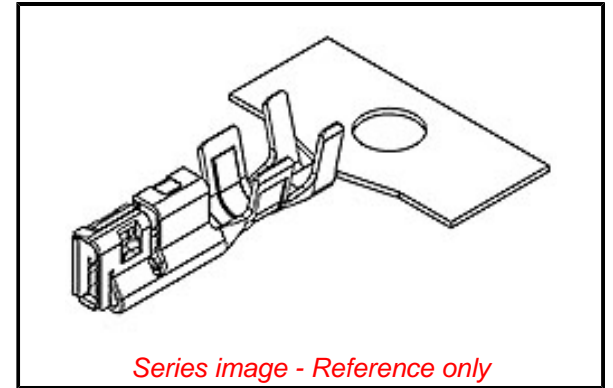
Solder Process Data

Lead-free Process Capability	N/A
------------------------------	-----

Material Info

Reference - Drawing Numbers

Application Specification	AS-560123-001-001
Crimp Specification	CS-560124-001-001
Packaging Specification	PK-560124-001-001
Product Specification	PS-560123-001-001, PS-560123-003-001
Sales Drawing	SD-560124-001-001



Series image - Reference only

EU ELV

Compliant

EU RoHS

Compliant

REACH SVHC

Not Contained Per -
D(2020)4578-DC (25
June 2020)

Halogen-Free

Status

Low-Halogen

For more information, please visit [Contact US](#)

China ROHS

ELV

RoHS Phthalates

China RoHS

Green Image

Compliant

Not Contained

Search Parts in this Series

560124 Series

Use With

560123 DuraClik ISL Receptacle Housing

Application Tooling | FAQ

Tooling specifications and manuals are found by selecting the products below. Crimp Height Specifications are then contained in the Application Tooling Specification document.

Global

Description

Product #

FA2 Mechanical Feed Crimp Applicator for 2.00mm Wire-to-Board DuraClik ISL Receptacle Terminals

[638084400](#)

Extraction and Activation Tool

[638132700](#)

Hand Crimp Tool for DuraClik ISL

[638277800](#)

Receptacle Terminal,
Female, ASS
0.30-0.35 Square
Wire

This document was generated on 07/15/2020

PLEASE CHECK WWW.MOLEX.COM FOR LATEST PART INFORMATION