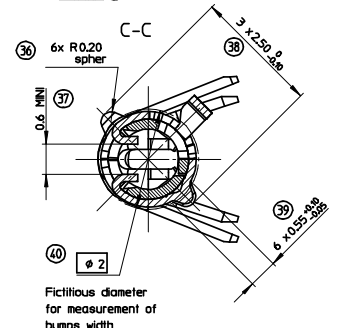
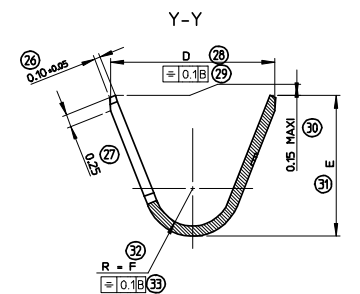
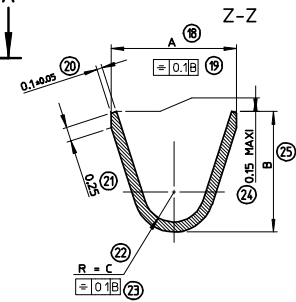
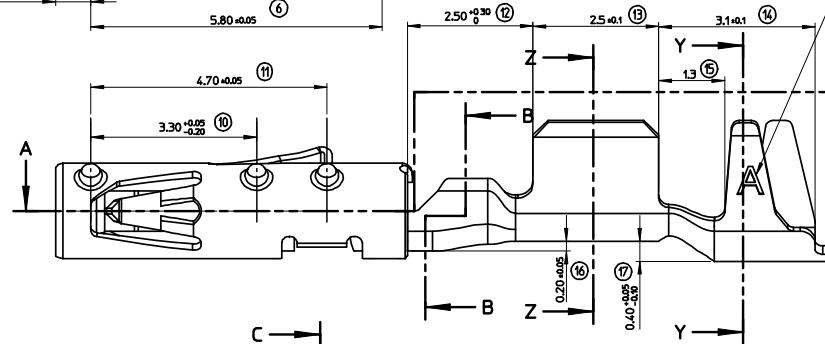


IDENTIFICATION MARKING  
SEE NOTE 1



(SKC) COTES CARACTERISTIQUES SPECIALES  
SPECIAL KEY CHARACTERISTICS

⊗ INDICATION DIMENSIONS S.P.C  
DENOTES S.P.C DIMENSIONS

⊗ INDICATION DIMENSIONS CRITIQUES  
DENOTES CRITICAL DIMENSIONS

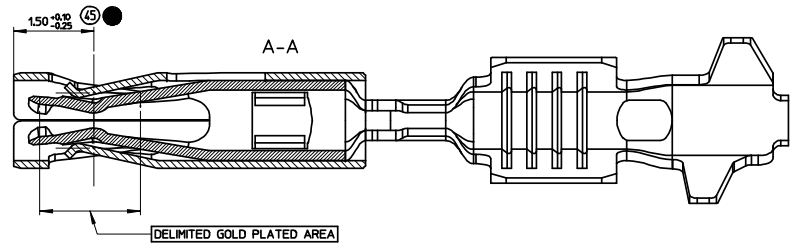
● INDICATION DIMENSIONS FONCTIONNELLES  
DENOTES FUNCTIONAL DIMENSIONS

QUANTITE PAR FEUILLE INDIVIDUELLE  
QUANTITY PER INDIVIDUAL SHEET

⊗ 1 ⊗ 0 ● 4 (SKC) 0

NOTE :  
- MARKING 'A' is used to identify 'STANDARD' terminal  
- CRIMPING SPECIFICATION ACCORDING TO CS-98913-001

2	BOX TERMINAL	STAINLESS STEEL thickness=0.15 mm
1	BODY TERMINAL	high conductivity copper alloy thickness=0.2 mm
MARK	DESIGNATION	MATERIAL



0989131029	Sn	Sn		0.75	2.5	2.4	0.6	3.3	2.8	0.75	0.119
0989131219	Au 1.27μ MINI	Sn	Ni								
0989131039	Sn	Sn		0.50	2.3	2.2	0.6	3.1	2.6	0.75	0.117
0989131239	Au 1.27μ MINI	Sn	Ni								
0989131019	Sn	Sn		0.22 TO 0.44	2.0	1.7	0.6	3.1	2.6	0.75	0.112
0989131229	Au 1.27μ MINI	Sn	Ni								
PART NUMBER	CONTACT AREA	CRIMPING AREA	UNDERLAYER	CRIMPING RANGE (mm2)	A+0.2	B+0.2	rC ±0.15 -0.1	D+0.2	E+0.2	rF+0.1	WEIGHT (g)
PLATING											

UPDATED DRAWING  
EC NO: GZ008-0256  
DRAWN BY: FPAROLARI 2008/02/05  
CHKD: JUDUCLOS 2008/02/05  
APPROVAL: LESTICKEIR 2008/02/06

GENERAL TOLERANCES (UNLESS SPECIFIED)

	mm	INCH
4 PLACES	± 0.1	± 0.004
3 PLACES	± 0.15	± 0.006
2 PLACES	± 0.2	± 0.008
1 PLACE	± 0.3	± 0.012

ANGULAR ± 2°

DRAFT WHERE APPLICABLE  
MUST REMAIN  
WITHIN DIMENSIONS

DESCRIPTION

DIMENSION STYLE  
MM ONLY

DRAWN BY: FPAROLARI DATE: 2007/09/17  
CHECKED BY: JUDUCLOS DATE: 2007/09/17  
APPROVED BY: LESTICKEIR DATE: 2007/09/17

MATERIAL NO. SD-98913-001

SCALE: 20:1  
DESIGN UNITS: METRIC  
FIRST ANGLE PROJECTION

TITLE: CP RCPT TRM 0.6

MOLEX INCORPORATED  
DOCUMENT NO. SD-98913-001

SHEET NO. 1 OF 1

THIS DRAWING CONTAINS INFORMATION THAT IS PROPRIETARY TO MOLEX INCORPORATED AND SHOULD NOT BE USED WITHOUT WRITTEN PERMISSION