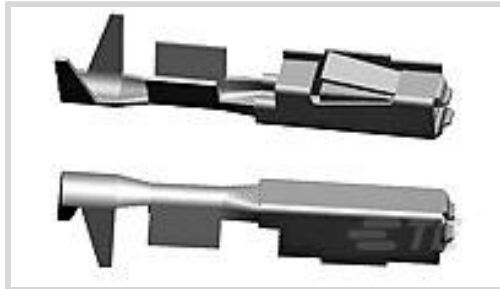




Terminals & Splices > Automotive, Truck, Bus, & Off-Road Terminals



Terminal & Splice Type: **Receptacle**

Mating Tab Width: **.64 mm [.025 in]**

Mating Tab Thickness: **.64 mm [.025 in]**

Terminal Transmits: **0 – 24 A (Low Power)**

Wire Size: **20 AWG**

Features

Product Type Features

Receptacle Style	180°
Sealable	No
Primary Locking Feature	Locking Lance
Wire Type	Copper

Contact Features

Typical Current Rating	7.5 A
Crimp Type	F-Crimp
Terminal & Splice Type	Receptacle
Mating Tab Width	.64 mm[.025 in]
Mating Tab Thickness	.64 mm[.025 in]
Interface Plating	Tin (Sn)
Contact Termination Area Plating Material	Tin (Sn)

Termination Features

Termination Method	Crimp
--------------------	-------

Dimensions

Wire Size	.5 – .75 mm ²
Wire Size Search	.5 mm ² , .6 mm ² , .75 mm ²
Wire Insulation Diameter	1.7 – 1.9 mm[.066 – .074 in]

Usage Conditions

Operating Temperature Range	-40 – 140 °C[-40 – 284 °F]
-----------------------------	----------------------------

Packaging Features

Packaging Method	Reel
Packaging Quantity	10000

Other

Terminal Transmits	0 – 24 A (Low Power)
--------------------	----------------------

Product Compliance

[For compliance documentation, visit the product page on TE.com>](#)

EU RoHS Directive 2011/65/EU	Compliant
EU ELV Directive 2000/53/EC	Compliant
China RoHS 2 Directive MIIT Order No 32, 2016	No Restricted Materials Above Threshold
EU REACH Regulation (EC) No. 1907/2006	Current ECHA Candidate List: JAN 2019 (197) Candidate List Declared Against: JAN 2019 (197)
Halogen Content	Low Halogen - Br, Cl, F, I < 900 ppm per homogenous material. Also BFR/CFR/PVC Free
Solder Process Capability	Not applicable for solder process capability

Product Compliance Disclaimer

This information is provided based on reasonable inquiry of our suppliers and represents our current actual knowledge based on the information they provided. This information is subject to change. The part numbers that TE has identified as EU RoHS compliant have a maximum concentration of 0.1% by weight in homogenous materials for lead, hexavalent chromium, mercury, PBB, PBDE, DBP, BBP, DEHP, DIBP, and 0.01% for cadmium, or qualify for an exemption to these limits as defined in the Annexes of Directive 2011/65/EU (RoHS2). Finished electrical and electronic equipment products will be CE marked as required by Directive 2011/65/EU. Components may not be CE marked. Additionally, the part numbers that TE has identified as EU ELV compliant have a maximum concentration of 0.1% by weight in homogenous materials for lead, hexavalent chromium, and mercury, and 0.01% for cadmium, or qualify for an exemption to these limits as defined in the Annexes of Directive 2000/53/EC (ELV). Regarding the REACH Regulations, TE's information on SVHC in articles for this part number is still based on the European Chemical Agency (ECHA) 'Guidance on requirements for substances in articles' (Version: 2, April 2011), applying the 0.1% weight on weight concentration threshold at the finished product level. TE is aware of the European Court of Justice ruling of September 10th, 2015 also known as O5A (Once An Article Always An Article) stating that, in case of 'complex object', the threshold for a SVHC must be applied to both the product as a whole and simultaneously to each of the articles forming part of its composition. TE has evaluated this ruling based on the new ECHA "Guidance on requirements for substances in articles" (June 2017, version 4.0) and will be updating its statements accordingly.

Compatible Parts



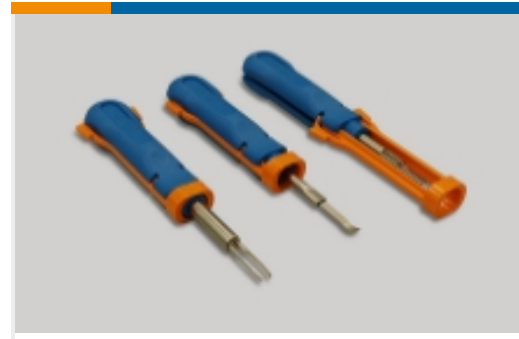
Applicators(6)



Automotive, Truck, Bus, & Off-Road Headers(4)



Automotive, Truck, Bus, & Off-Road Housings(53)



Insertion & Extraction Tools (2)



Portable Crimp Tools(1)



Spare & Wear Tooling(2)

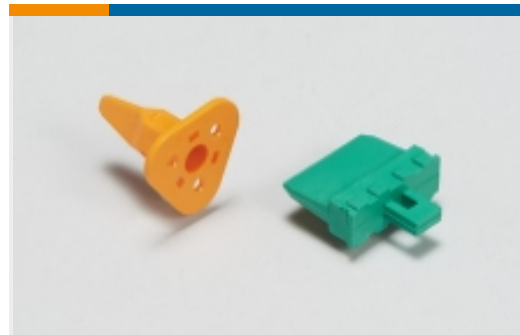
Also in the Series | MQS



Automotive Connector Caps & Covers(138)



Automotive Connector EMC Shielding(2)



Automotive Connector Locks & Position Assurance (29)



Automotive Seals & Cavity Plugs(27)



Automotive, Truck, Bus, & Off-Road Headers(205)



Automotive, Truck, Bus, & Off-Road Housings(501)



Automotive, Truck, Bus, & Off-Road Terminals(110)

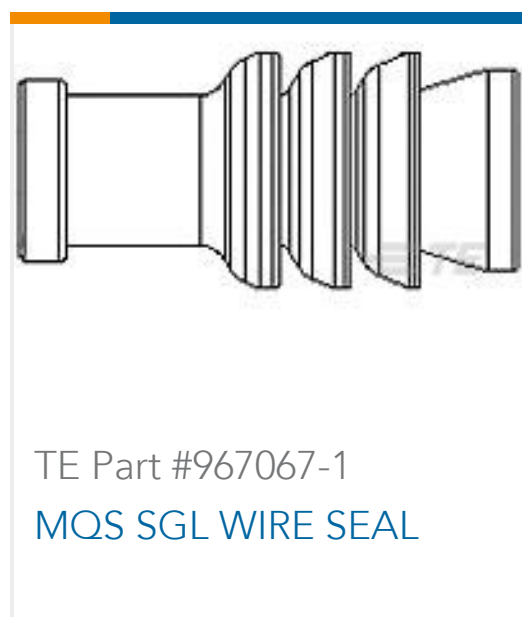
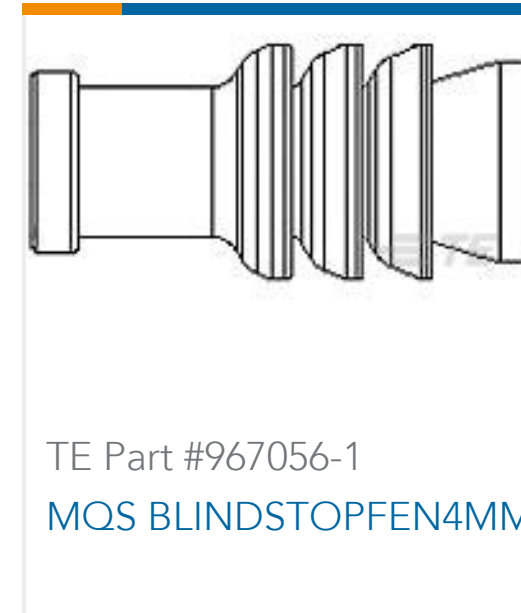
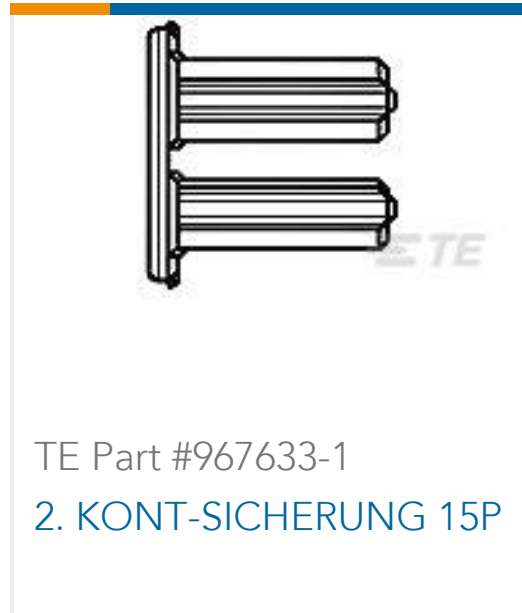


Data Connectivity Headers (1)



Other Automotive Connector Accessories(13)

Customers Also Bought



Documents

Product Drawings

[MQS0,63 Sn rec LL unseal. 0,5-0,75](#)

English

[MQS0,63 Sn rec LL unseal. 0,5-0,75](#)

English

CAD Files

Customer View Model

[ENG_CVM_CVM_963715-1_H.2d_dxf.zip](#)

English

3D PDF

3D

Customer View Model

[ENG_CVM_CVM_963715-1_H.3d_igs.zip](#)

English

Customer View Model

[ENG_CVM_CVM_963715-1_H.3d_stp.zip](#)

English

Product Specifications

[Application Specification](#)

English

[Application Specification](#)

English

[Application Specification](#)



German

[Application Specification](#)

English

[Product Environmental Compliance](#)

[TE Material Declaration](#)

English