



AMP | Standard Power Timer

TE Internal #: 927833-2

Automotive Terminals, Receptacle, Mating Tab Width 5.8 mm / 6.3 mm [.248 in / .228 in], Tab Thickness .031 in [.8 mm], Standard Power Timer

[View on TE.com >](#)

Terminals & Splices > Automotive Terminals > TIMER, RECEPTACLE AND TAB



Terminal Type: **Receptacle**

Mating Tab Width: **5.8 mm, 6.3 mm** [.228 in, .248 in]

Mating Tab Thickness: **.8 mm** [.031 in]

Terminal Transmits: **25 – 40 A (Power)**

Wire Size: **17 – 14 AWG**

[All TIMER, RECEPTACLE AND TAB \(346\)](#)

## Features

### Product Type Features

Receptacle Style	180°
Sealable	No
Primary Locking Feature	Locking Lance

### Contact Features

Typical Current Rating	40 A
Crimp Type	F-Crimp
Terminal Type	Receptacle
Mating Tab Width	5.8 mm, 6.3 mm [.228 in][.248 in]
Mating Tab Thickness	.8 mm [.031 in]
Interface Plating	Tin (Sn)
Contact Termination Area Plating Material	Tin (Sn)

### Termination Features

Termination Method to Wire & Cable	Crimp
Product Terminates To	Wire

### Dimensions

Wire Size	1 – 2.5 mm <sup>2</sup>
Wire Size Search	14 AWG, 15 AWG, 16 AWG, 17 AWG



Wire Insulation Diameter	2.7 – 3.7 mm [.106 – .145 in]
--------------------------	-------------------------------

### Usage Conditions

Insulation Option	Uninsulated
Operating Temperature (Max)	80 °C, 85 °C, 90 °C, 100 °C, 105 °C, 110 °C, 120 °C, 125 °C, 130 °C [176 °F][185 °F][194 °F][212 °F][221 °F][230 °F][248 °F][257 °F][266 °F]

Operating Temperature Range	-40 – 130 °C [-40 – 266 °F]
-----------------------------	-----------------------------

### Operation/Application

Compatible With Wire Base Material	Copper
------------------------------------	--------

### Industry Standards

Agency/Standard	IEC 664/664A (DIN VDE 0110)
-----------------	-----------------------------

### Packaging Features

Packaging Method	Reel
Packaging Quantity	2000

### Other

Terminal Transmits	25 – 40 A (Power)
--------------------	-------------------

## Product Compliance

[For compliance documentation, visit the product page on TE.com>](#)

EU RoHS Directive 2011/65/EU	Compliant
EU ELV Directive 2000/53/EC	Compliant
China RoHS 2 Directive MIIT Order No 32, 2016	No Restricted Materials Above Threshold
EU REACH Regulation (EC) No. 1907/2006	Current ECHA Candidate List: JAN 2022 (223) Candidate List Declared Against: JAN 2022 (223) Does not contain REACH SVHC
Halogen Content	Low Halogen - Br, Cl, F, I < 900 ppm per homogenous material. Also BFR/CFR/PVC Free
Solder Process Capability	Not applicable for solder process capability

#### Product Compliance Disclaimer

This information is provided based on reasonable inquiry of our suppliers and represents our current actual knowledge based on the information they provided. This information is subject to change. The part numbers that TE has identified as EU RoHS compliant have a maximum concentration of 0.1% by weight in homogenous materials for lead, hexavalent

chromium, mercury, PBB, PBDE, DBP, BBP, DEHP, DIBP, and 0.01% for cadmium, or qualify for an exemption to these limits as defined in the Annexes of Directive 2011/65/EU (RoHS2). Finished electrical and electronic equipment products will be CE marked as required by Directive 2011/65/EU. Components may not be CE marked. Additionally, the part numbers that TE has identified as EU ELV compliant have a maximum concentration of 0.1% by weight in homogenous materials for lead, hexavalent chromium, and mercury, and 0.01% for cadmium, or qualify for an exemption to these limits as defined in the Annexes of Directive 2000/53/EC (ELV). Regarding the REACH Regulation, the information TE provides on SVHC in articles for this part number is based on the latest European Chemicals Agency (ECHA) 'Guidance on requirements for substances in articles' posted at this URL: <https://echa.europa.eu/guidance-documents/guidance-on-reach>

## Compatible Parts



TE Part # 4-1579007-3  
EXTRACTION TOOL KIT



TE Part # 1-1579007-6  
EXTRACTION TOOL



TE Part # 2305570-1  
TERMINAL CUTTER, SIDE FEED



TE Part # CAT-M9194-CH8172  
MULTILOCK, CONNECTOR HOUSING



TE Part # 1599317-1  
HSG ASSY 5P REC JPT/SPT HYBRID



TE Part # 2-2151165-1  
OCEAN\_2.0\_APPLICATOR-S-110F160F



TE Part # 2-2151165-2  
OCEAN\_2.0\_APPLICATOR-S-110F160FA



TE Part # 2151165-1  
OCEAN\_2.0\_APPLICATOR-S-110F160F



TE Part # 2151165-2  
OCEAN\_2.0\_APPLICATOR-S-110F160FA



TE Part # 7-2151165-1  
OCEAN\_2.0\_APPLICATOR-S-110F160F



TE Part # 7-2151165-2  
OCEAN\_2.0\_APPLICATOR-S-110F160FA



TE Part # 7-2151165-7  
OCEAN\_2.0\_SPARE\_PART\_KIT-110F160OV



TE Part # 1-962845-1  
TAB 5.8x0.8 CONTACT CS SRC Sn



TE Part # 1743037-2  
HYBRID 92P PLUG ASSY



TE Part # 936063-2  
090/250 HYB 40P PLUG ASS'Y BLK



TE Part # 936067-1  
090/250 HYB 76P PLUG ASS'Y

Also in the Series | **Standard Power Timer**



Automotive Housings(31)



Automotive Terminals(54)



Busbars & Terminals(3)



Insertion & Extraction Tools(1)



Module Components(8)

## Customers Also Bought



TE Part #928344-3  
3P STD TIMER GEH



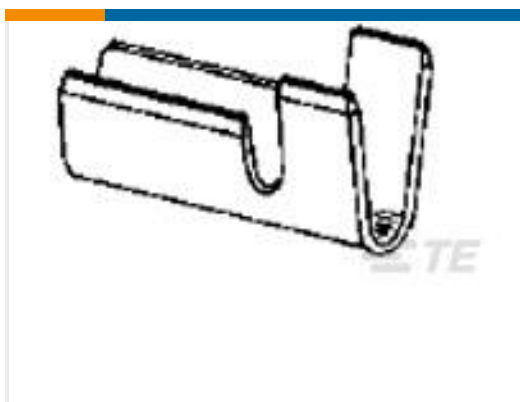
TE Part #2232902-1  
AMP POWER DBL LOCK REC (S)



TE Part #1-1241961-8  
STD TIM HOUSING MKII 3POS



TE Part #3-928344-4  
4P STD TIMER GEH



TE Part #926867-2  
AM WIRE PIN 13-10 .013 PTPB



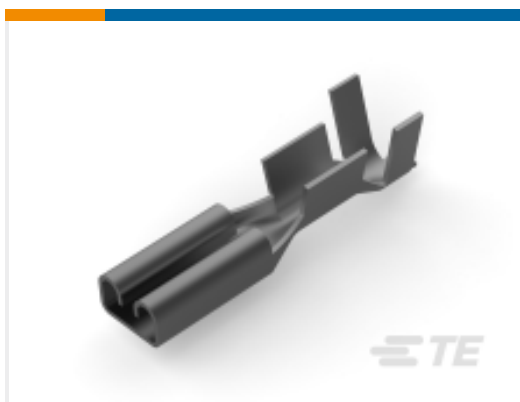
TE Part #2238136-2  
RECEPTACLE, POSITIVE-LOCK, RAST  
6.35



TE Part #2318950-1  
NEW GIC 3.3 REC CONTACT TIN  
PLATE



TE Part #4-1955422-3  
STD TIM MK2 HSG 2P



TE Part #880635-5  
FF 110 REC 1.0-1.5 MM2 0.25X12.32  
PTPBR



TE Part #81537-000  
VS-X0901B VERTICAL LEVEL SENSO

## Documents



### Product Drawings

#### SPT REC 6.3 Contact SRC Sn

English

---

### CAD Files

#### Customer View Model

[ENG\\_CVM\\_CVM\\_927833-2\\_D.2d\\_dxf.zip](#)

English

#### 3D PDF

3D

#### Customer View Model

[ENG\\_CVM\\_CVM\\_927833-2\\_D.3d\\_igs.zip](#)

English

#### Customer View Model

[ENG\\_CVM\\_CVM\\_927833-2\\_D.3d\\_stp.zip](#)

English

By downloading the CAD file I accept and agree to the [Terms and Conditions](#) of use.

---

### Datasheets & Catalog Pages

#### Timer Interconnection System

English

---

### Product Specifications

#### Application Specification

German

#### Application Specification

English

#### Application Specification

English

---

### Product Environmental Compliance

[MD\\_927833-2\\_111620181048\\_dmtec](#)

English

[MD\\_927833-2\\_111620181048\\_dmtec](#)

English