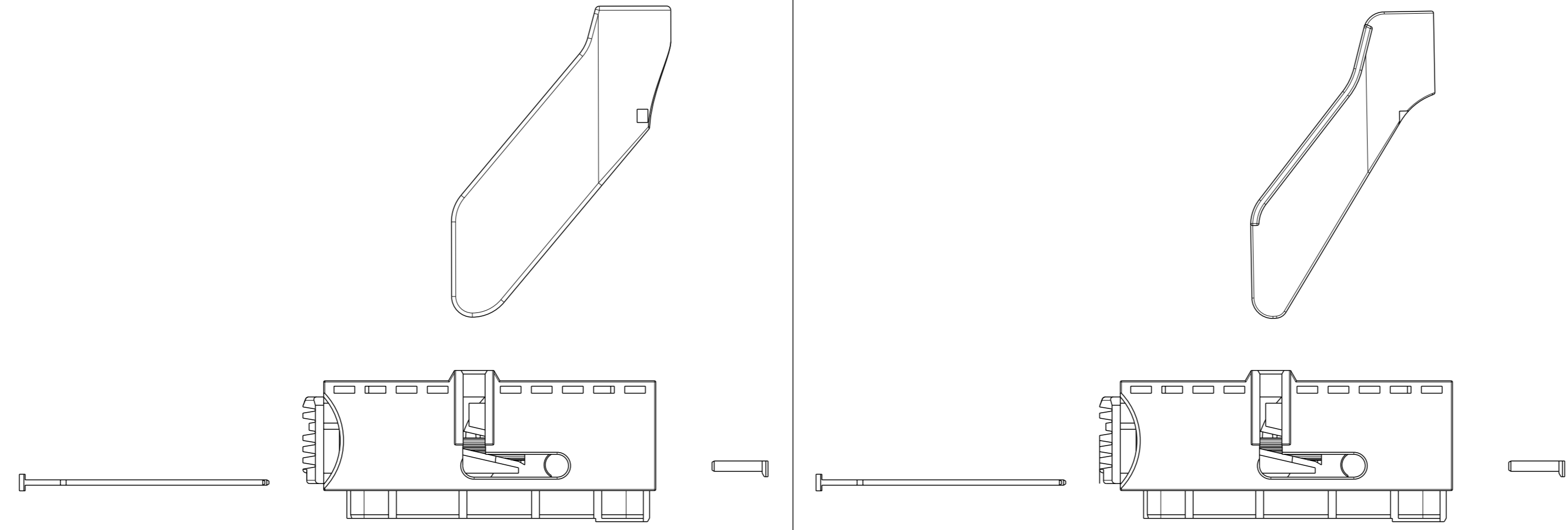
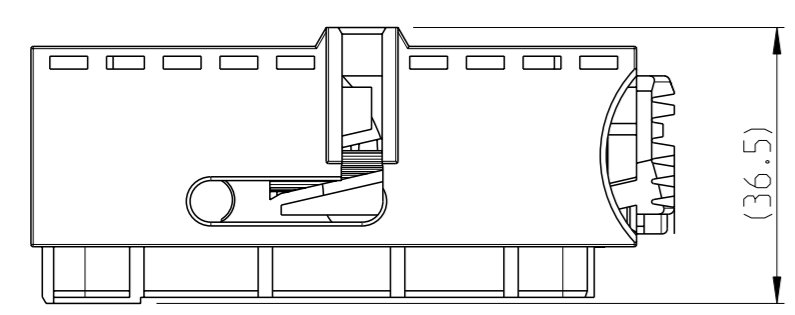
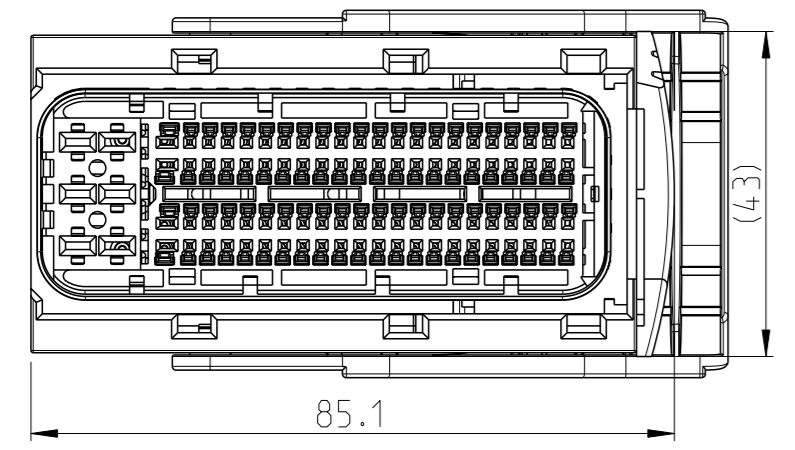


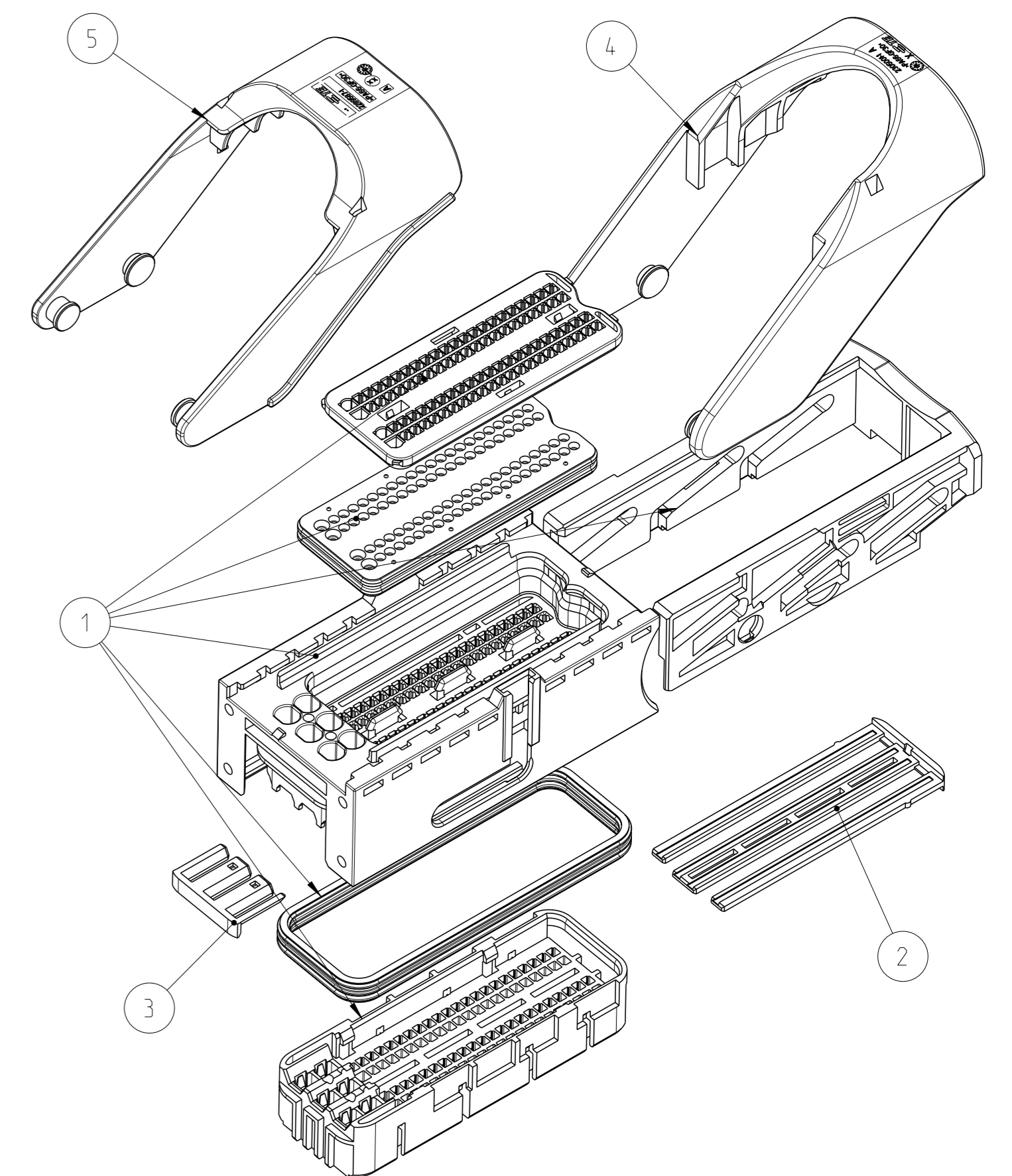
1 ASSY
1-2209545-X

MATERIAL: PBT-GF20(MAIN)
COLOUR: BLACK



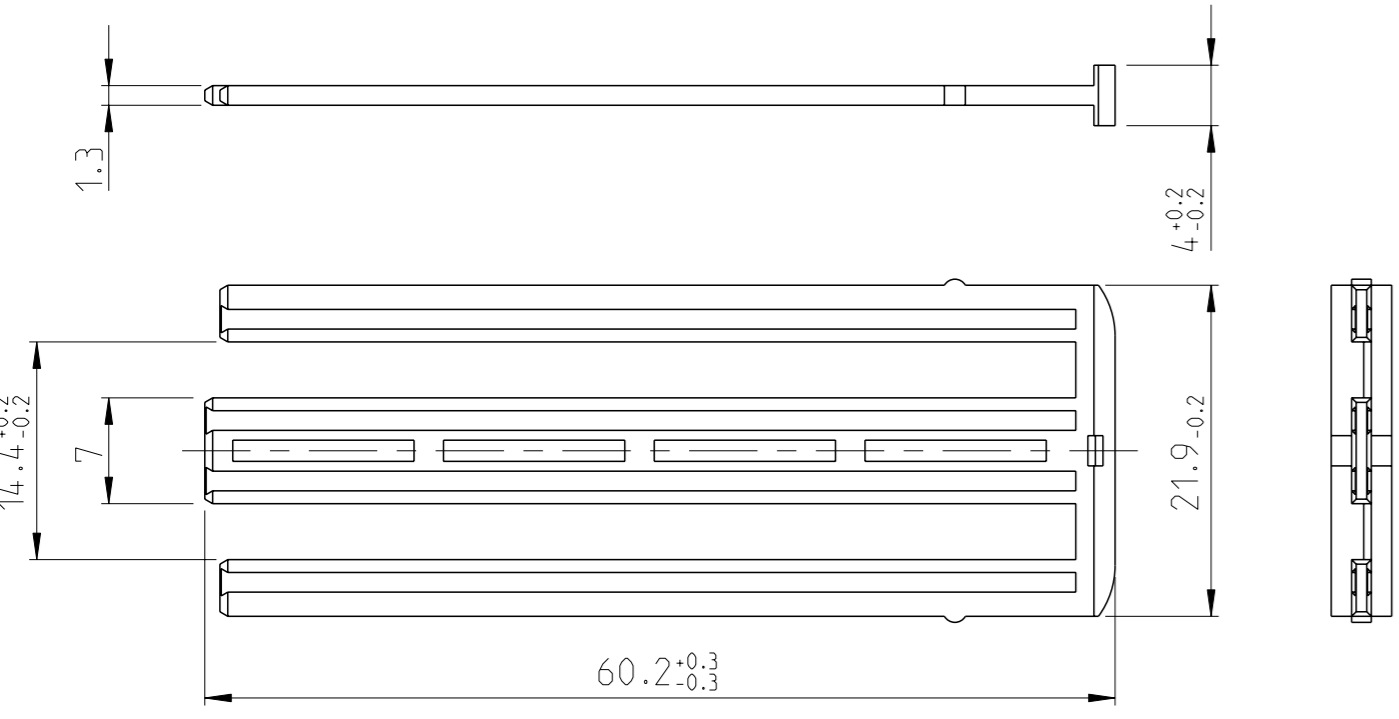
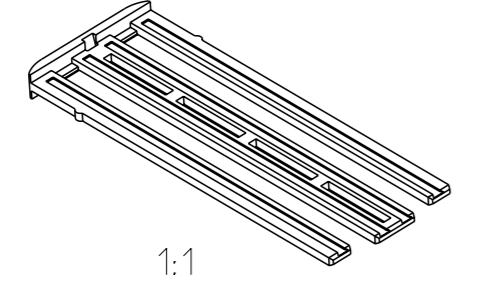
X-2289228-1

REVISIONS					
P	CL#	DESCRIPTION	DATE	OWN	APVD
A1		INITIAL RELEASED	14-Apr-16	J.Z	S.W
A2		ECR-16-009109	28-Jun-16	J.Z	S.W
A3		ECR-16-010670	25-Jul-16	J.Z	I.Y
A4		ADD NEW 9/3-2289228-2	01DEC2017	J.Z	I.Y



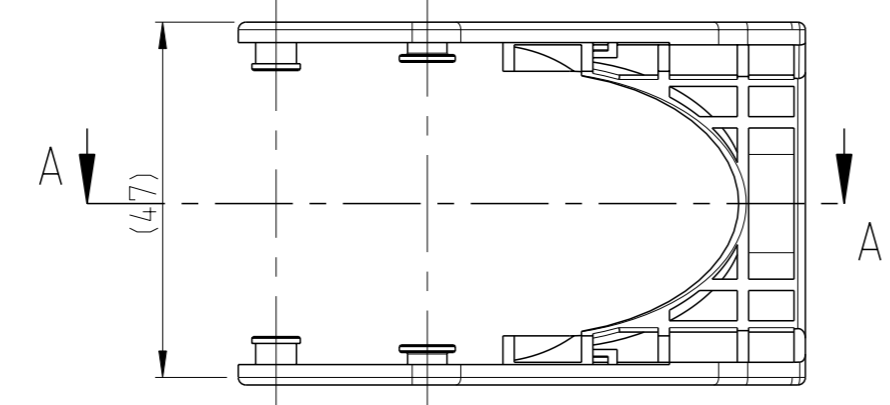
2 RETAINER FOR CONTACTS MQS AND 1.5CB
6-1355134-1

MATERIAL: PBT-GF30
COLOUR: VIOLET



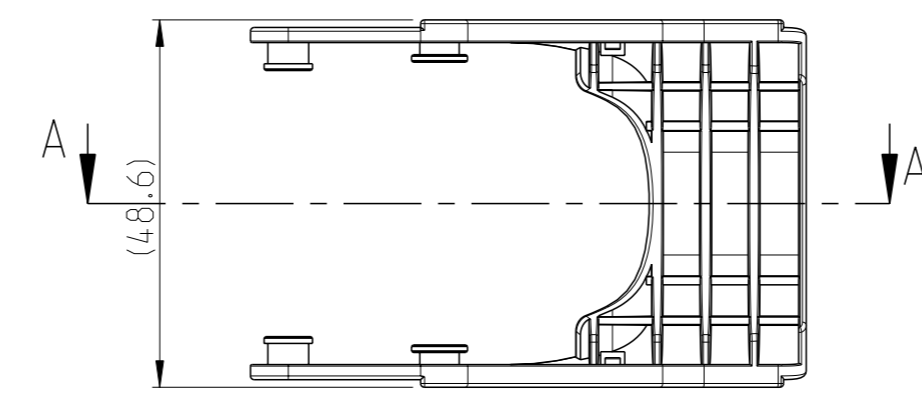
4 LEVER FOR RECEPTACLE HOUSING
2305001-1

MATERIAL: ;PA66-GF30
COLOUR: BLACK



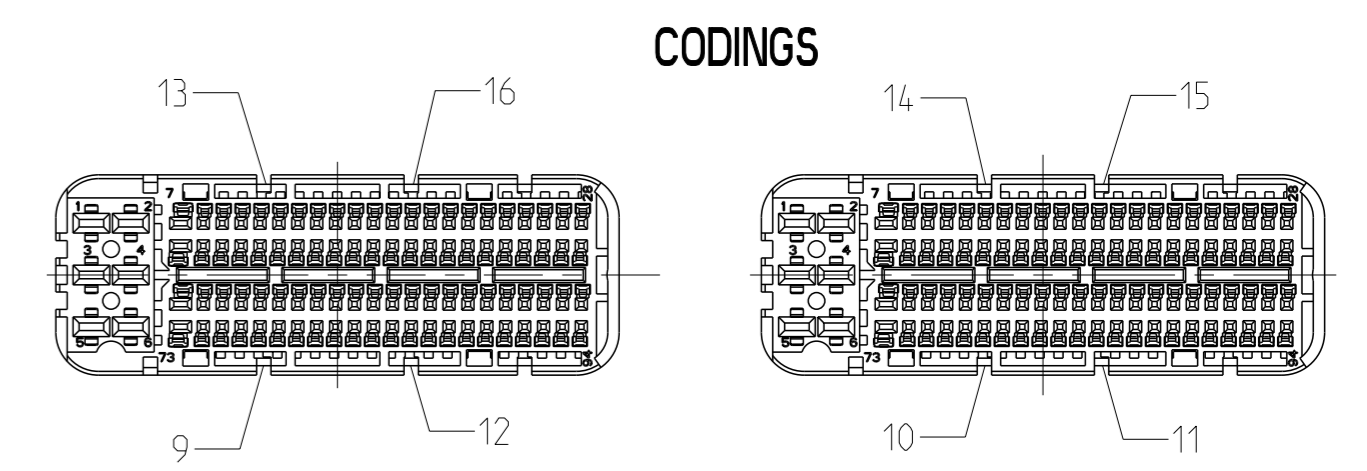
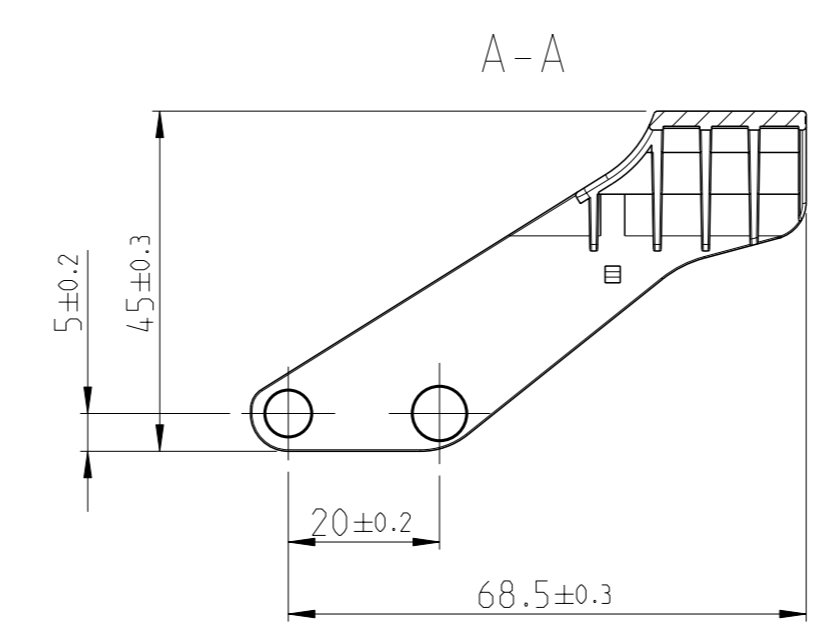
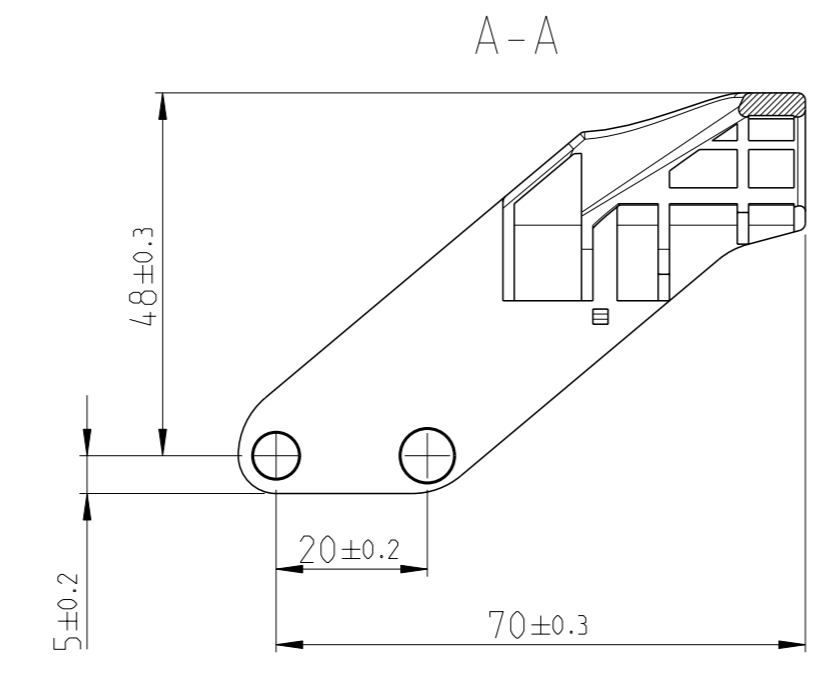
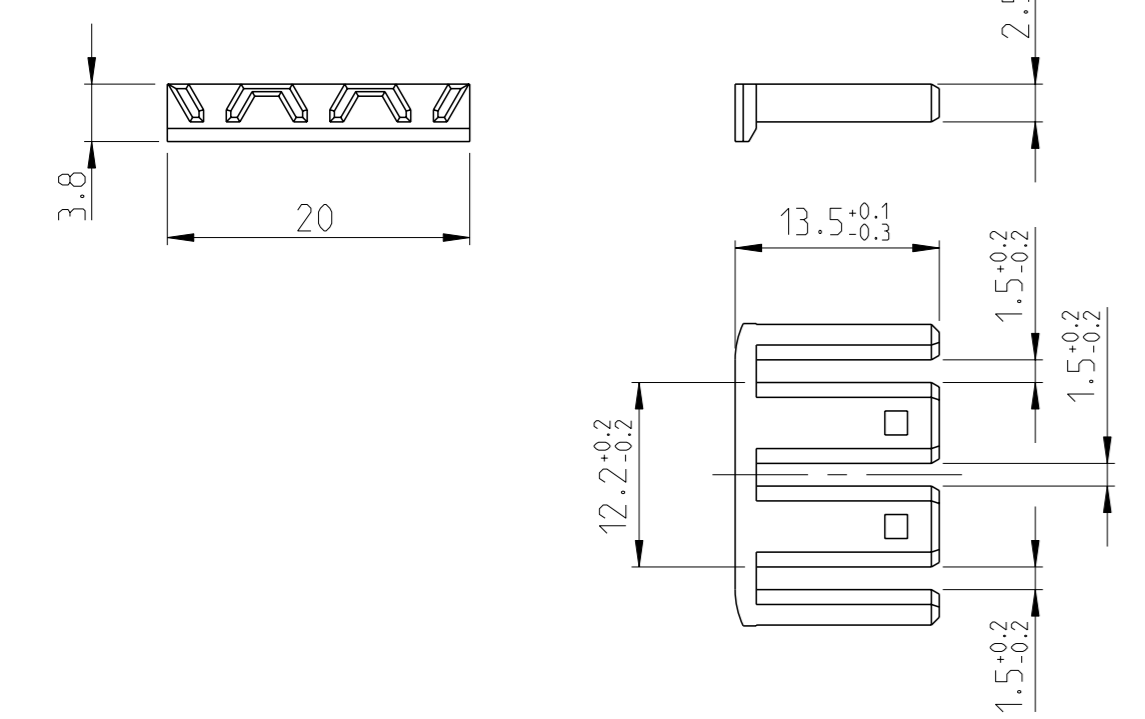
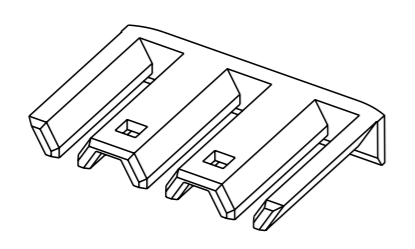
5 LEVER FOR RECEPTACLE HOUSING
2289587-1

MATERIAL: ;PA66-GF30
COLOUR: BLACK



3 RETAINER FOR CONTACT MCP2.8
6-1355135-1

MATERIAL: PBT-GF30
COLOUR: VIOLET



- Notes
- MATING PART EXECUTION ACC. TO 114-18304-001
 - SUITABLE CONTACTS: MQS: 1534116, 1703282; 1.5mm CB: 1241608
MCP2.8K : 1241392, 1241394, 1241396
SEALING PLUGS 1394871 (0.63), 1394872 (1.5)
 - FORM CONDITIONED DELAY OF 0.8 ADMISSIBLE
 - PARTS ARE PACKING IN MAIN BOX , BUT ITEM 1, 2, 3 ARE SEPARATELY. RETAINERS AND LEVER SHOULD BE ASSEMBLED IN HARNESS MARKER
 - ITEM "X" MEANS THE VARIANT CODE. THE RELEASED CODE SEE TABLE
 - *-2289228-1 SUITABLE COVER P/N: 2137754-1, 2300724-1
 - *-2289228-2 SUITABLE COVER P/N: 7-2289579-1/6

QTY.	PART-NO.	DESCRIPTION	ITEM
1	1	2289587-1	LEVER
1	1	2305001-1	LEVER
1	1	6-1355135-1	RETAINER, 6 POSN.
1	1	6-1355134-1	RETAINER, 88POSN.
1	1	1-2209545-9	CARRIER HSG.
1	1	1-2209545-1	CARRIER HSG.
		CODING	
		TE-REF.-NO.	
		REV	

TE Connectivity

CONNECTOR HOUSING, 94POSN
MQS +1.5 Clear Body + MCP 2.8K

SCALE 1:1 SHEET 1 OF 1 REV A4

9-2289228-1	WATER BLUE	X	X	X	X	X	X	X	X
3-2289228-1	BLUE		X	X		X			X
7-2289228-1	WATER		X	X			X	X	
ASSY PART No.	CAVITY BLOCK COLOR	9	10	11	12	13	14	15	16
		CODING							