



**Timer Connector System**

TE Internal #: 927366-1

TE Internal Description: 8P MIN D-FLACHF GEH

TIMER, CONNECTOR HOUSING

[View on TE.com >](#)



[All TIMER, CONNECTOR HOUSING \(543\)](#)

**Product Compliance**

[For compliance documentation, visit the product page on TE.com>](#)

|   |   |
|---|---|
| EU RoHS Directive 2011/65/EU                  | Compliant   |
| EU ELV Directive 2000/53/EC                   | Compliant   |
| China RoHS 2 Directive MIIT Order No 32, 2016 | No Restricted Materials Above Threshold   |
| EU REACH Regulation (EC) No. 1907/2006        | Current ECHA Candidate List: JAN 2022 (223)<br>Candidate List Declared Against: JAN 2022 (223)<br>Does not contain REACH SVHC |
| Halogen Content                               | Low Halogen - Br, Cl, F, I < 900 ppm per homogenous material. Also BFR/CFR/PVC Free   |
| Solder Process Capability                     | Not applicable for solder process capability  |

Product Compliance Disclaimer

This information is provided based on reasonable inquiry of our suppliers and represents our current actual knowledge based on the information they provided. This information is subject to change. The part numbers that TE has identified as EU RoHS compliant have a maximum concentration of 0.1% by weight in homogenous materials for lead, hexavalent chromium, mercury, PBB, PBDE, DBP, BBP, DEHP, DIBP, and 0.01% for cadmium, or qualify for an exemption to these limits as defined in the Annexes of Directive 2011/65/EU (RoHS2). Finished electrical and electronic equipment products will be CE marked as required by Directive 2011/65/EU. Components may not be CE marked. Additionally, the part numbers that TE has identified as EU ELV compliant have a maximum concentration of 0.1% by weight in homogenous materials for lead, hexavalent chromium, and mercury, and 0.01% for cadmium, or qualify for an exemption to these limits as defined in the Annexes of Directive 2000/53/EC (ELV). Regarding the REACH Regulation, the information TE provides on SVHC in articles for this part number is based on the latest European Chemicals Agency (ECHA) 'Guidance on requirements for substances in articles' posted at this URL: <https://echa.europa.eu/guidance-documents/guidance-on-reach>

## Compatible Parts



TE Part # 969191-2  
FLA-STE-GEH2,8 8P

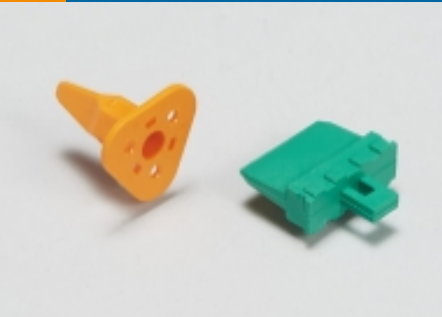


TE Part # CAT-T4827-T273  
TIMER, RECEPTACLE AND TAB


## Also in the Series | Timer Connector System




Automotive Connector Caps & Covers  
(11)




Automotive Connector Locks & Position Assurance(16)




Automotive Housings(219)




Automotive Seals & Cavity Plugs(31)




Automotive Terminals(140)



Crimp Terminal Housings(13)




Insertion & Extraction Tools(20)



Other Automotive Connector Accessories(1)



PCB Headers & Receptacles(78)



Quick Disconnects(4)

## Customers Also Bought



TE Part #969191-1  
TIMER, CONNECTOR HOUSING



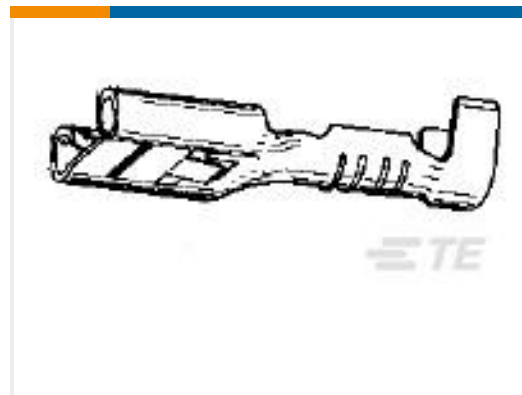
TE Part #965784-1  
connector ABDECKKAPPE 180GRD



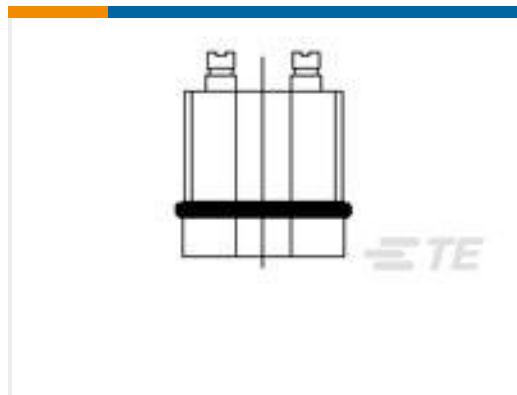
TE Part #927771-6  
JPT REC 2.8 Contact SRC Ag



TE Part #2820463016  
44A0111-24-6



TE Part #626095-2  
FASTIN-ON .250 REC 1.0-2.5 MM2  
TPBR



TE Part #1-1103501-1  
STA.6.Sti.S

## Documents

### Product Drawings

#### 8P MIN D-FLACHF GEH

English

#### 8P MIN D-FLACHF GEH

English

### CAD Files

#### 3D PDF

3D

#### Customer View Model

[ENG\\_CVM\\_CVM\\_927366-1\\_F.2d\\_dxf.zip](#)

English

#### Customer View Model

[ENG\\_CVM\\_CVM\\_927366-1\\_F.3d\\_igs.zip](#)

English

#### Customer View Model

[ENG\\_CVM\\_CVM\\_927366-1\\_F.3d\\_stp.zip](#)

English

#### 3D PDF

English

#### Customer View Model

[ENG\\_CVM\\_927366-1\\_E1.2d\\_dxf.zip](#)

English

#### Customer View Model

[ENG\\_CVM\\_927366-1\\_E1.3d\\_igs.zip](#)

English



### Customer View Model

[ENG\\_CVM\\_927366-1\\_E1.3d\\_stp.zip](#)

English

By downloading the CAD file I accept and agree to the [Terms and Conditions](#) of use.

### Datasheets & Catalog Pages

[Timer Interconnection System](#)

English

### Product Environmental Compliance

[Product Compliance](#)

English

[Product Compliance](#)

English