

85284-1 ✓ ACTIVE

## Multilock Connector System

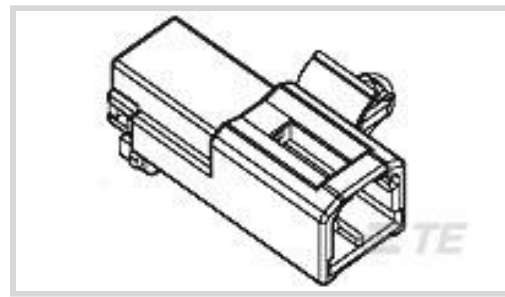
TE Internal #: 85284-1

Housing for Male Terminals, Wire-to-Wire, 2 Position, .138 in [3.5 mm] Centerline, White, Power & Signal, Multilock Connector System

[View on TE.com >](#)



Connectors > Automotive Connectors > Connector Housings > MULTILOCK, CONNECTOR HOUSING



Connector & Housing Type: **Housing for Male Terminals**

Mating Tab Width: **1.8 mm [ .071 in ]**

Connector System: **Wire-to-Wire**

Number of Positions: **2**

Centerline (Pitch): **3.5 mm [ .138 in ]**

[All MULTILOCK, CONNECTOR HOUSING \(576\)](#)

## Features

### Product Type Features

Connector & Housing Shape	Rectangular
Connector & Housing Type	Housing for Male Terminals
Connector System	Wire-to-Wire
Sealable	No
Hybrid Connector	No

### Configuration Features

Number of Positions	2
Number of Rows	1

### Body Features

Body Material	PBT
Primary Product Color	White

### Contact Features

Contact Size	1.8mm
Contact Type	Tab
Mating Tab Width	1.8 mm[.071 in]
Contact Current Rating (Max)	10 A

### Mechanical Attachment



Mounting Feature	Without
Terminal Position Assurance	No
Strain Relief	Without
Mating Alignment Type	Polarized
Mating Alignment	With
Connector Mounting Type	Cable Mount (Free-Hanging)

### Housing Features

Centerline (Pitch)	3.5 mm[.138 in]
--------------------	-----------------

### Dimensions

Product Width	10.7 mm[.421 in]
Product Length	15.7 mm[.62 in]
Product Height	31.4 mm[1.24 in]

### Operation/Application

Circuit Application	Power & Signal
---------------------	----------------

### Packaging Features

Packaging Quantity	500
Packaging Method	Bag

### Other

Connector Position Assurance Capable	No
--------------------------------------	----

## Product Compliance

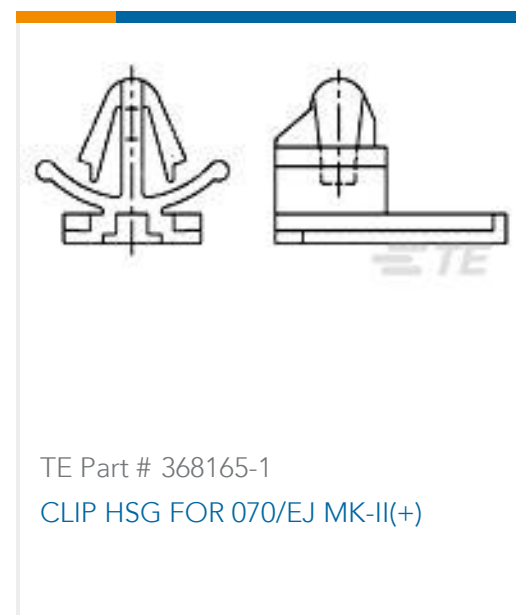
[For compliance documentation, visit the product page on TE.com>](#)

EU RoHS Directive 2011/65/EU	Compliant
EU ELV Directive 2000/53/EC	Compliant
China RoHS 2 Directive MIIT Order No 32, 2016	No Restricted Materials Above Threshold
EU REACH Regulation (EC) No. 1907/2006	Current ECHA Candidate List: JAN 2022 (223) Candidate List Declared Against: JAN 2022 (223) Does not contain REACH SVHC
Halogen Content	Low Halogen - Br, Cl, F, I < 900 ppm per homogenous material. Also BFR/CFR/PVC Free
Solder Process Capability	Not applicable for solder process capability

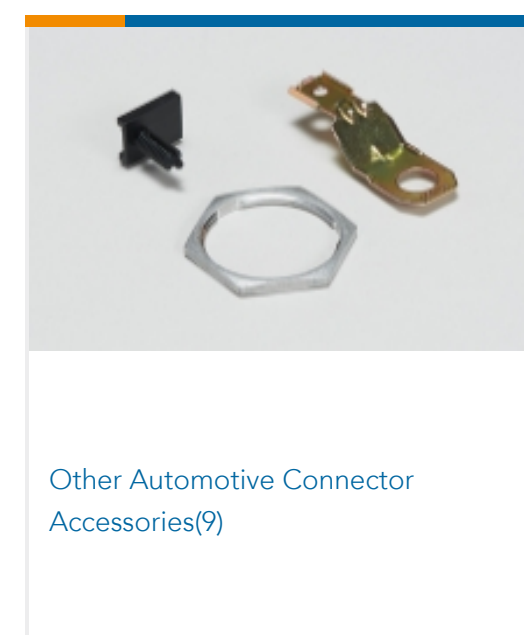
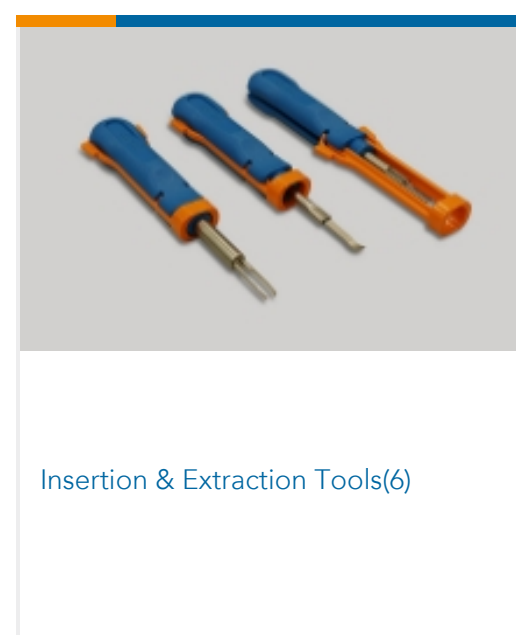
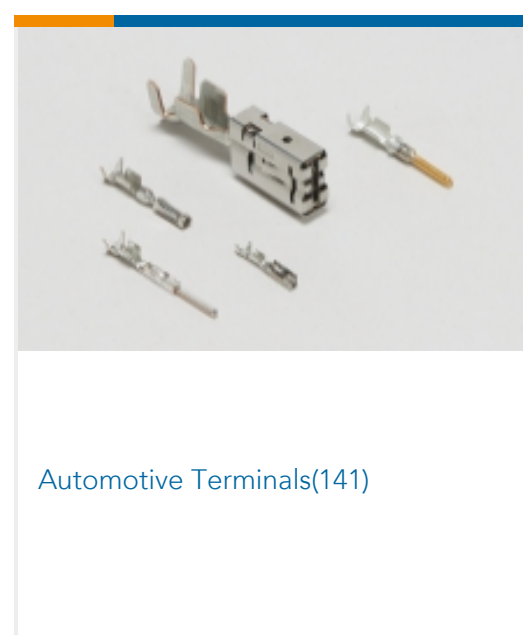
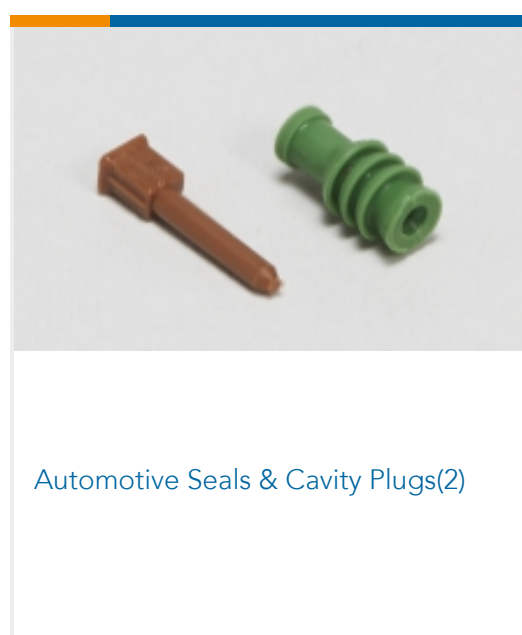
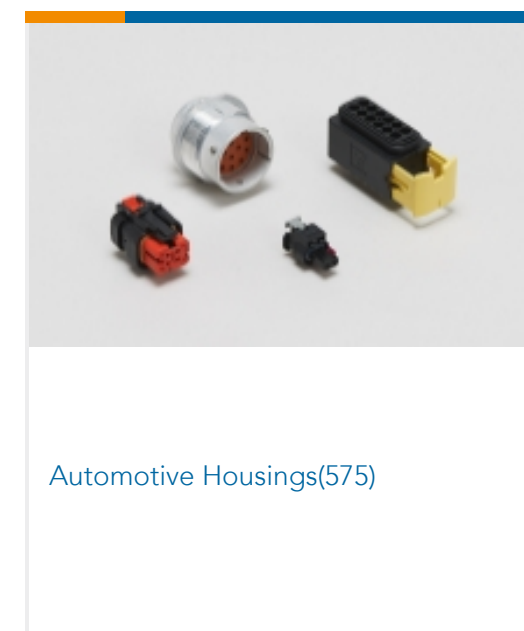
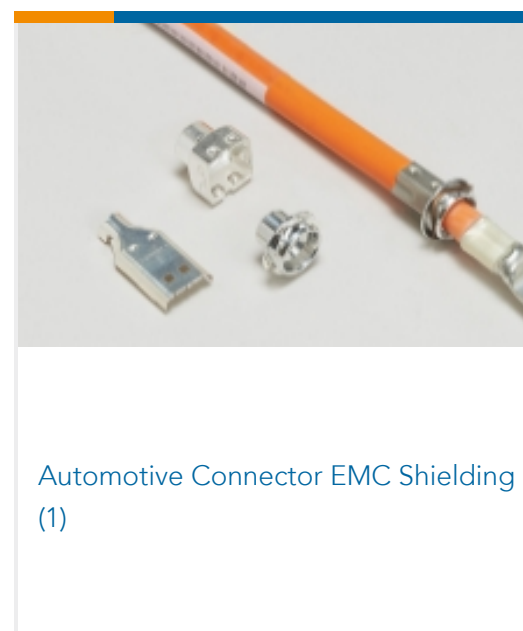
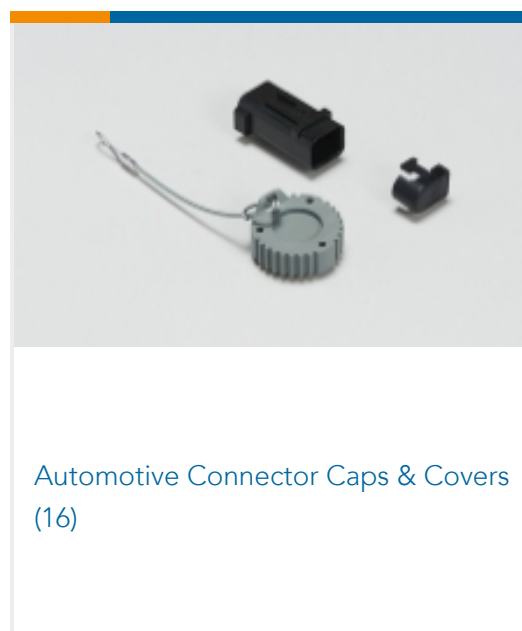
## Product Compliance Disclaimer

This information is provided based on reasonable inquiry of our suppliers and represents our current actual knowledge based on the information they provided. This information is subject to change. The part numbers that TE has identified as EU RoHS compliant have a maximum concentration of 0.1% by weight in homogenous materials for lead, hexavalent chromium, mercury, PBB, PBDE, DBP, BBP, DEHP, DIBP, and 0.01% for cadmium, or qualify for an exemption to these limits as defined in the Annexes of Directive 2011/65/EU (RoHS2). Finished electrical and electronic equipment products will be CE marked as required by Directive 2011/65/EU. Components may not be CE marked. Additionally, the part numbers that TE has identified as EU ELV compliant have a maximum concentration of 0.1% by weight in homogenous materials for lead, hexavalent chromium, and mercury, and 0.01% for cadmium, or qualify for an exemption to these limits as defined in the Annexes of Directive 2000/53/EC (ELV). Regarding the REACH Regulation, the information TE provides on SVHC in articles for this part number is based on the latest European Chemicals Agency (ECHA) 'Guidance on requirements for substances in articles' posted at this URL: <https://echa.europa.eu/guidance-documents/guidance-on-reach>

## Compatible Parts



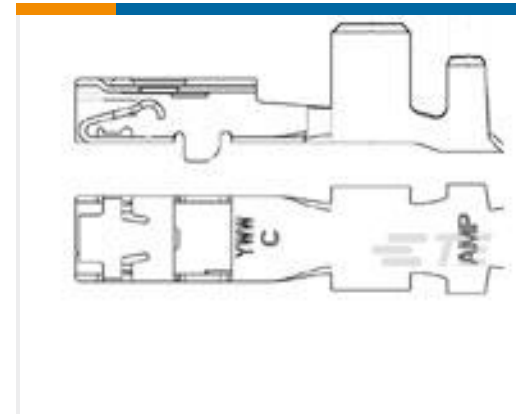
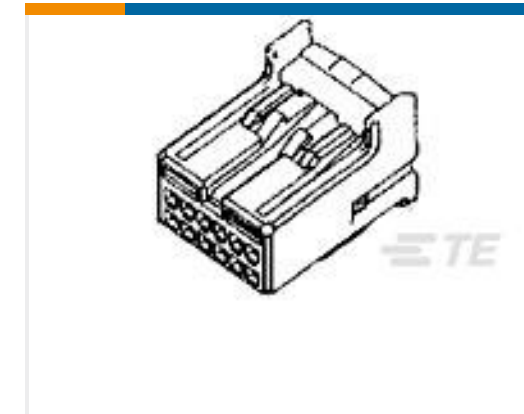
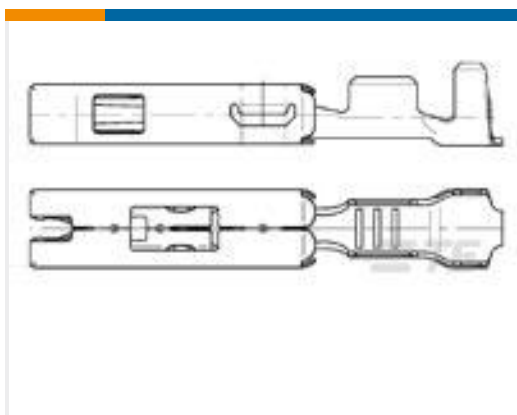
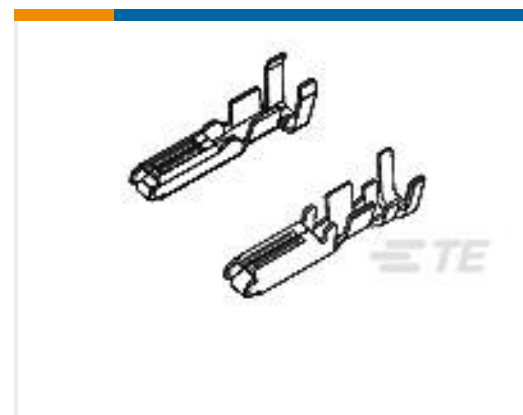
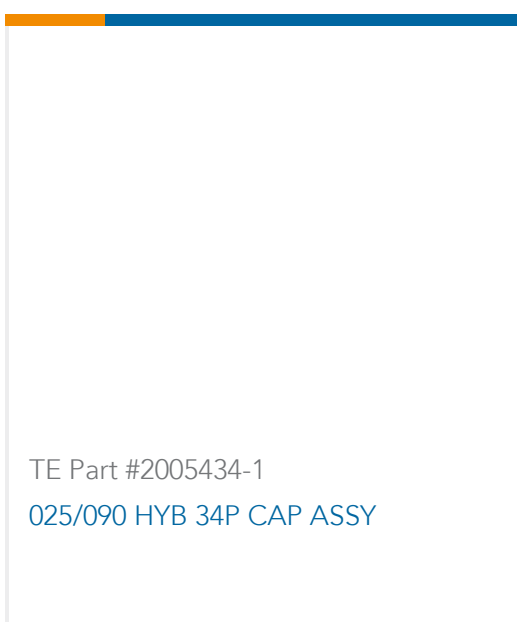
## Also in the Series | Multilock Connector System





PCB Headers &amp; Receptacles(129)

## Customers Also Bought

TE Part #2141576-1  
32POS NANO MQS TL PLUG  
HOUSING, CODE ATE Part #368502-1  
MULTILOCK, CONNECTOR HOUSINGTE Part #1326030-4  
2.8MM RECP, UNSEAL, 10-12AWGTE Part #936348-1  
025 WW 12P PLUG ASSYTE Part #929027-1  
1.5MM SFCTE Part #173630-1  
REC CONT. (SIGNAL) AWG#22-24TE Part #1-2103124-4  
HEADER ASSY, Ag SHIELD, KEY D,  
HVA280-2PTE Part #2322122-1  
HVP800 2P HEADER ASSYTE Part #2005434-1  
025/090 HYB 34P CAP ASSY

## Documents

### Product Drawings

[070 MLC 2P CAP HSG\(CLIP TYPE\)](#)

English

### CAD Files

[3D PDF](#)

English

### Customer View Model

[ENG\\_CVM\\_85284-1\\_O.2d\\_dxf.zip](#)



English

**Customer View Model**

[ENG\\_CVM\\_85284-1\\_O.3d\\_igs.zip](#)

English

**Customer View Model**

[ENG\\_CVM\\_85284-1\\_O.3d\\_stp.zip](#)

English

By downloading the CAD file I accept and agree to the [Terms and Conditions](#) of use.

---

**Datasheets & Catalog Pages**

[MULTILOCK Connector System](#)

English

---

**Product Environmental Compliance**

[TE Material Declaration](#)

English